

3412 NGMV

## DC axial compact fan



### ebm-papst St. Georgen GmbH & Co. KG

Hermann-Papst-Straße 1

D-78112 St. Georgen

Phone +49 7724 81-0

Fax +49 7724 81-1309

info2@de.ebmpapst.com

www.ebmpapst.com

### Nominal data

Type	3412 NGMV	
Nominal voltage	VDC	12
Nominal voltage range	VDC	8 .. 14
Speed	min <sup>-1</sup>	2300
Power input	W	2.0
Min. ambient temperature	°C	-20
Max. ambient temperature	°C	70
Air flow	m <sup>3</sup> /h	72
Sound power level	B	4.3
Sound pressure level	dB(A)	28

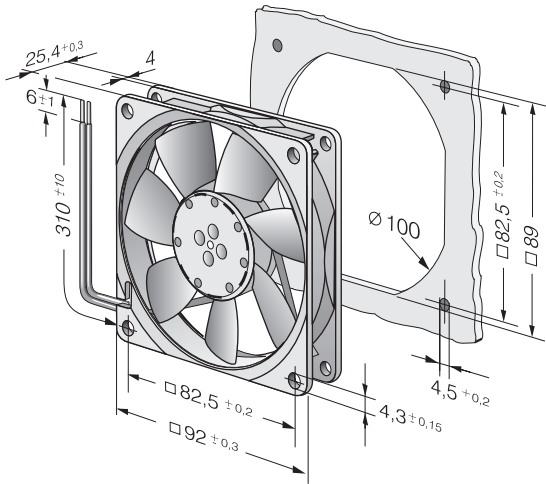
ml = max. load · me = max. efficiency · rfa = running at free air · cs = customer specs · cu = customer unit  
Subject to alterations



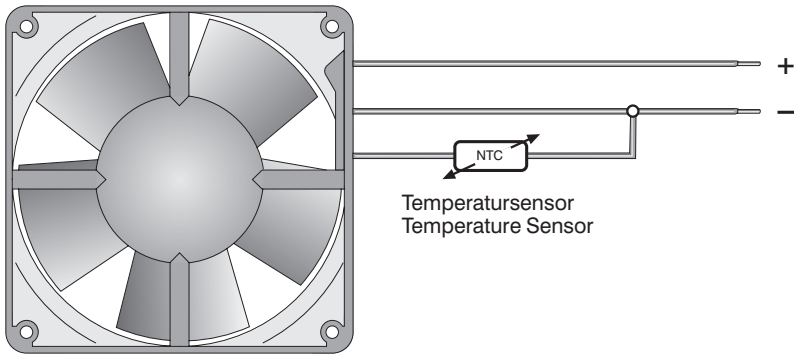
## Technical features

<b>Dimensions</b>	92 x 92 x 25 mm
<b>General description</b>	<p>Particular design features:</p> <p>Open loop speed control via external or internal temperature sensor. Automatic adaptation of the speed to the cooling requirement.</p> <p>General features:</p> <p>Material: fibreglass-reinforced plastic. Impeller PA, housing PBT. Electronic commutation completely integrated. Protected against reverse polarity and locking. Connection via single strands AWG 24, TR 64, bared and tin-plated. Air exhaust over bars. Direction of rotation counter-clockwise seen on rotor. Mass: 100 g.</p>
<b>Connection line</b>	Single strands AWG 24, TR 64, bared and tin-plated.
<b>Direction of rotation</b>	Left, looking at rotor
<b>Direction of air flow</b>	Air exhaust over bars
<b>Bearing</b>	Sintec sleeve bearing
<b>Lifetime L10 at 40 °C</b>	75000 h
<b>Lifetime L10 at maximum temperature</b>	37500 h
<b>Mass</b>	0.100 kg
<b>Housing material</b>	Fiberglass-reinforced PBT plastic
<b>Material of impeller</b>	Fiberglass-reinforced PA plastic
<b>Motor protection</b>	Protected against reverse polarity and locking.
<b>Approval</b>	VDE, CSA, UL

## Product drawing



Connection screen



## Charts: Air flow

