

**ebm-papst Mulfingen GmbH & Co. KG**

Bachmühle 2

D-74673 Mulfingen

Phone: +49(0)7938/81-0

Fax: +49(0)7938/81-110

info1@de.ebmpapst.com

www.ebmpapst.com

**Nominal data**

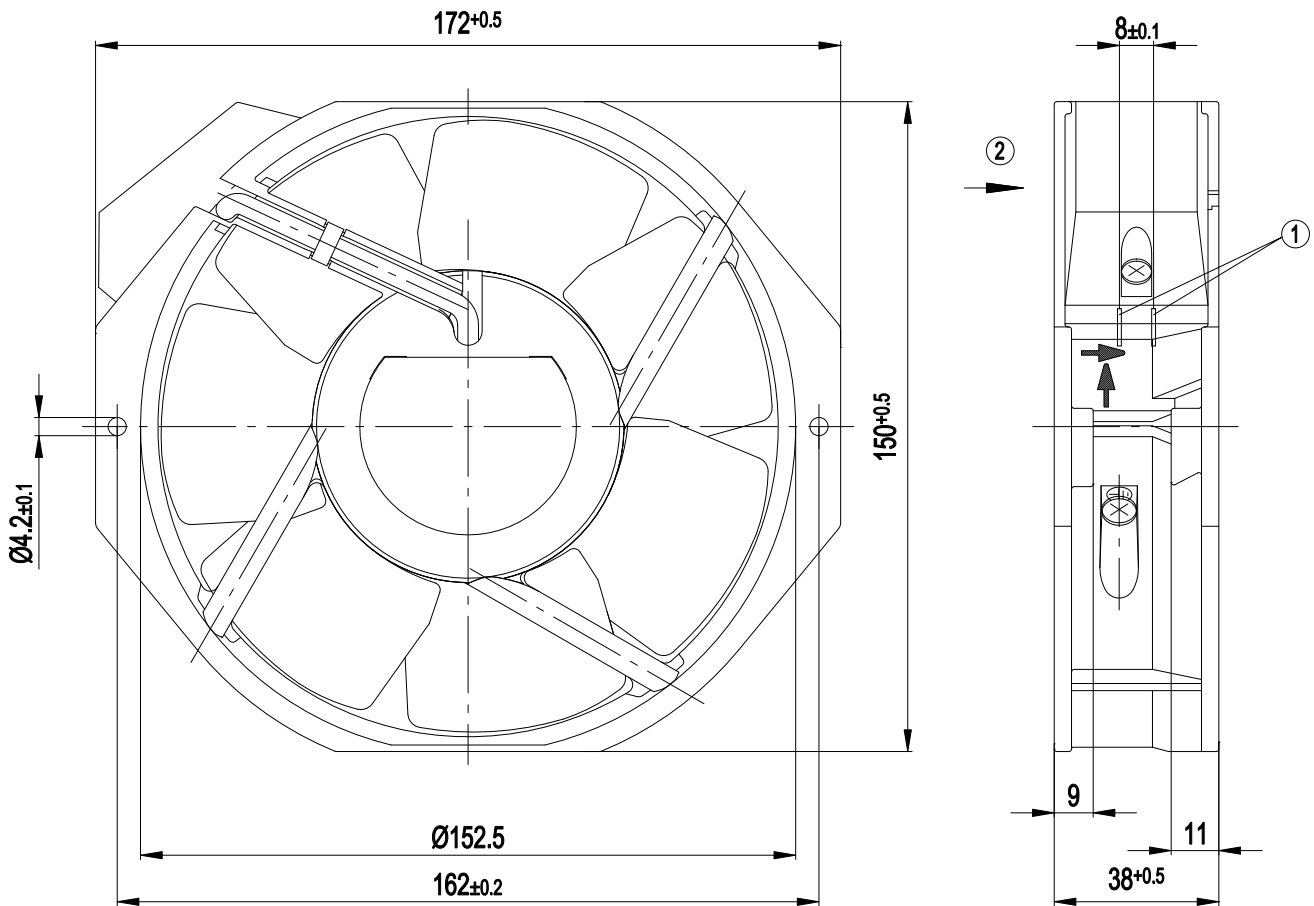
<b>Type</b>	<b>W2E142-BB05-01</b>		
<b>Motor</b>	<b>M2E052-BA</b>		
Phase		1~	1~
Nominal voltage	[V]	115	115
Frequency	[Hz]	50	60
Type of data definition		rfa	rfa
Valid for approval / standard		CE	CE
Speed	[min <sup>-1</sup> ]	2800	3350
Power input	[W]	27	28
Current draw	[A]	0.24	0.25
Motor capacitor	[µF]	3	3
Capacitor voltage	[VDB]	220	220
Capacitor standard		P0 (CE)	P0 (CE)
Max. ambient temperature	[°C]	55	65

ml = max. load · me = max. efficiency · rfa = running at free air · cs = customer specs · cu = customer unit  
Subject to alterations

### Technical features

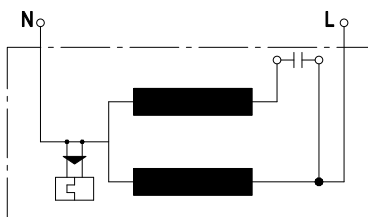
Leakage current	< 0.75 mA
Size	142 mm
Operation mode	S1
Direction of rotation	Counter-clockwise, seen on rotor
Mounting position	Any
Electrical leads	With plug
Direction of air flow	"V"
Insulation class	"B"
Condensate discharge holes	None
Bearing motor	Ball bearing
Mass	0.8 kg
Housing material	Die-cast aluminium, coated in black
Material of impeller	Sheet steel, coated in black
Motor protection	Thermal overload protector (TOP) wired internally
Product conforming to standard	CE; EN 60335-1
Surface of rotor	Coated in black
Number of blades	7
Type of protection	IP 22; Depending on installation and position
Protection class	I (if earth wire is connected by customer)
Max. permissible ambient motor temp. (transp./ storage)	+ 80 °C
Min. permissible ambient motor temp. (transp./storage)	- 40 °C
Approval	CCC; CSA C22.2 Nr.113; GOST; UL 507; VDE

## Product drawing

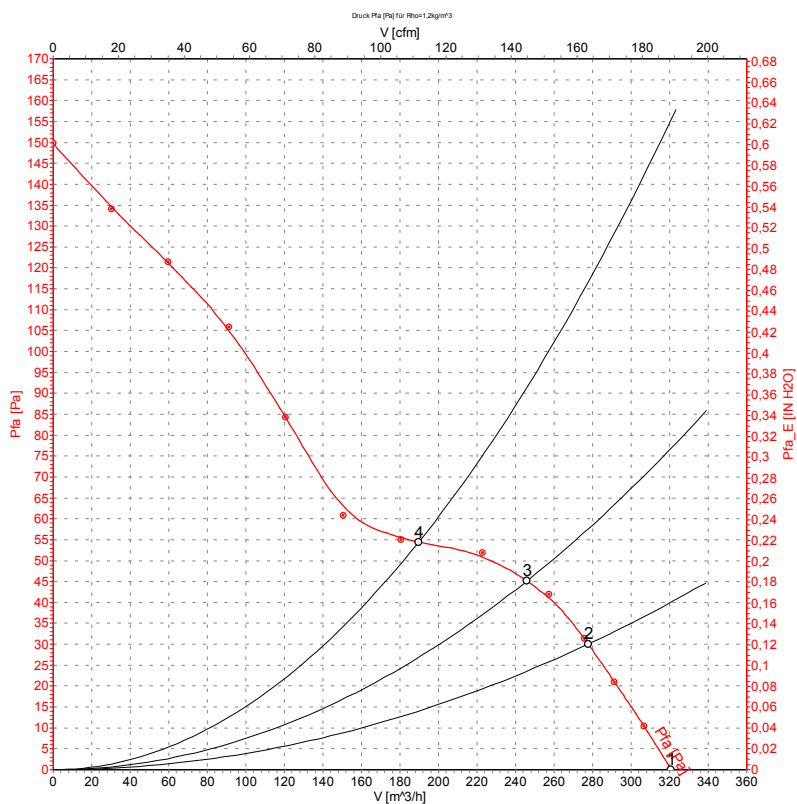


- |   |                           |
|---|---------------------------|
| 1 | 2x flat plug 2.8 x 0.5 mm |
| 2 | Direction of air flow "V" |

## Connection screen



## Charts: Air flow 50 Hz

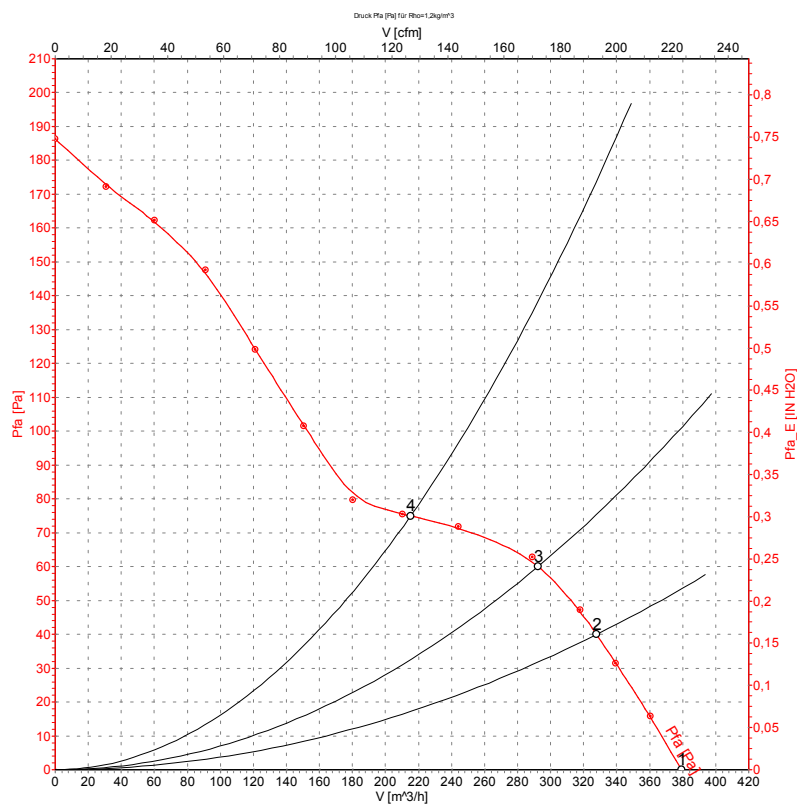


Measurement: LU-64115

### Measured values

	U	f	n	P <sub>1</sub>	I	$\hat{V}$	P <sub>fa</sub>
	[V]	[Hz]	[min <sup>-1</sup> ]	[W]	[A]	[m³/h]	[Pa]
1	115	50	2830	24	0.22	320	0
2	115	50	2795	24	0.23	280	30
3	115	50	2775	25	0.23	245	45
4	115	50	2775	25	0.23	190	55

## Charts: Air flow 60 Hz



Measurement: LU-64116

### Measured values

	U	f	n	P <sub>1</sub>	I	Ŷ	P <sub>fa</sub>
	[V]	[Hz]	[min <sup>-1</sup> ]	[W]	[A]	[m³/h]	[Pa]
1	115	60	3350	28	0.25	380	0
2	115	60	3280	28	0.25	330	40
3	115	60	3240	28	0.25	290	60
4	115	60	3230	29	0.25	215	75