

3650

# AC axial compact fan



## ebm-papst St. Georgen GmbH & Co. KG

Hermann-Papst-Straße 1

D-78112 St. Georgen

Phone +49 7724 81-0

Fax +49 7724 81-1309

info2@de.ebmpapst.com

www.ebmpapst.com

## Nominal data

Type	3650	
Nominal voltage	VAC	230
Frequency	Hz	50
Speed	min <sup>-1</sup>	2650
Power input	W	12.0
Min. ambient temperature	°C	-10
Max. ambient temperature	°C	55
Air flow	m <sup>3</sup> /h	75
Sound power level	B	4.8
Sound pressure level	dB(A)	36

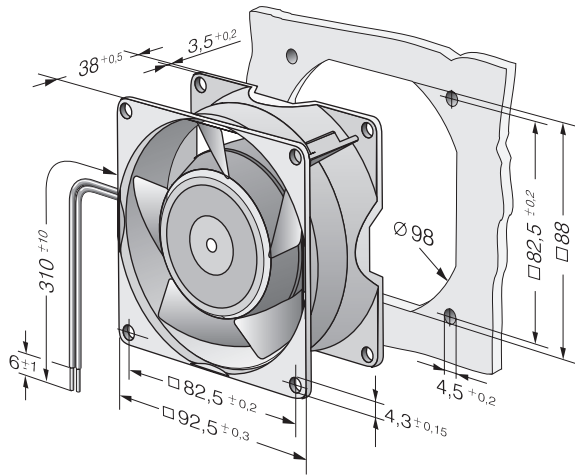
ml = max. load · me = max. efficiency · fa = running at free air · cs = customer specs · cu = customer unit  
Subject to alterations



## Technical features

<b>General description</b>	<p>AC voltage fan with external rotor shaded-pole motor.          Protected from overload by impedance protection.          Fan housing and fan impeller made of metal.          Air exhaust over bars. Rotational direction clockwise looking at rotor.          Electrical connection to 2 single strands. Strand ends bared and tin-plated.          Fan housing with grounding lug and tapping screw M4 x 8 (TORX).          Mass 420 g.          Please note our new ACmaxx series. With identical fastening dimensions and voltages, this series achieves higher energy efficiency.</p>
<b>Mass</b>	0.420 kg
<b>Dimensions</b>	92 x 92 x 38 mm
<b>Material of impeller</b>	Metal
<b>Housing material</b>	Metal
<b>Direction of air flow</b>	Air exhaust over bars
<b>Direction of rotation</b>	Right, looking at rotor
<b>Bearing</b>	Sintec sleeve bearing system
<b>Lifetime L10 at 40 °C</b>	52500 h
<b>Lifetime L10 at maximum temperature</b>	37500 h
<b>Connection line</b>	2 single strands AWG 18, TR 64
<b>Motor protection</b>	Protected from overload using impedance protection
<b>Approval</b>	VDE, CSA, UL, CE

## Product drawing



## Charts: Air flow

