

PPC-4150W

15.6" Fanless Wide Screen Panel PC with Intel Atom Dual-Core Processor



Features

- 15.6" TFT WXGA LED entirely flat panel with Projected capacitive touchscreen
- Fanless design and low power consumption
- Supports one internal SATA 2.5" HDD and 1 x mSATA socket
- PCI or PCIe expansion support
- Adjust RS-232/422/485 through BIOS
- Automatic data flow control over RS-485
- Wide Range DC 12~30V support
- One right side USB port
- Front panel compliant with IP65

Introduction

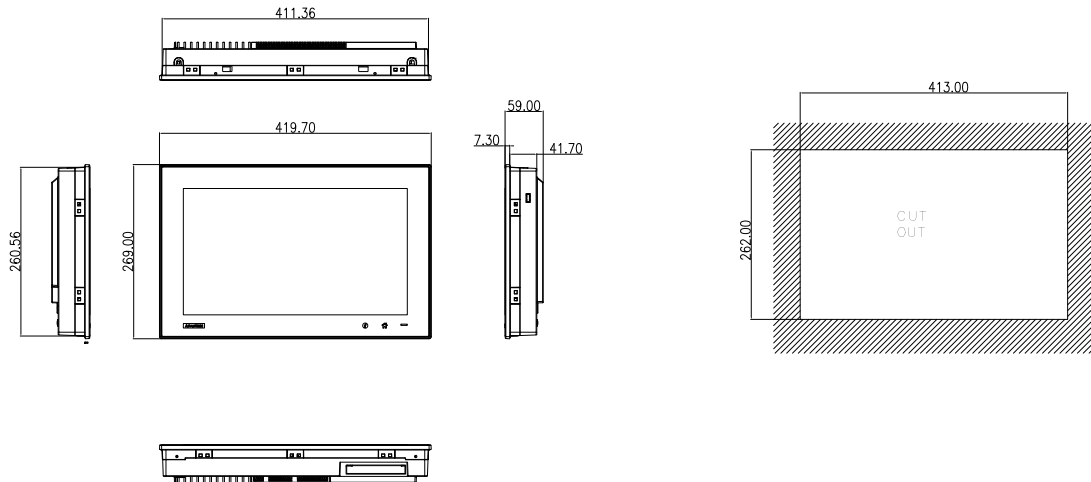
The PPC-4150W is a new generation Panel PC with 15.6 inch wide screen and Projected Capacitive Multi finger touch screen. The new technology brings an intuitive experience and customers can design software to enhance the displays safety protection. With an entirely flat touch screen it is easy and convenient to clean and use. Equipped with an Intel Atom processor D2550, the fanless design become practical and makes PPC-4150W more reliable in harsh environments. In addition, the dual GbE LAN, 4 x serial ports, 5 x USB ports, and GPIO connector make it easier to connect to devices and be integrated into machines.

Specifications

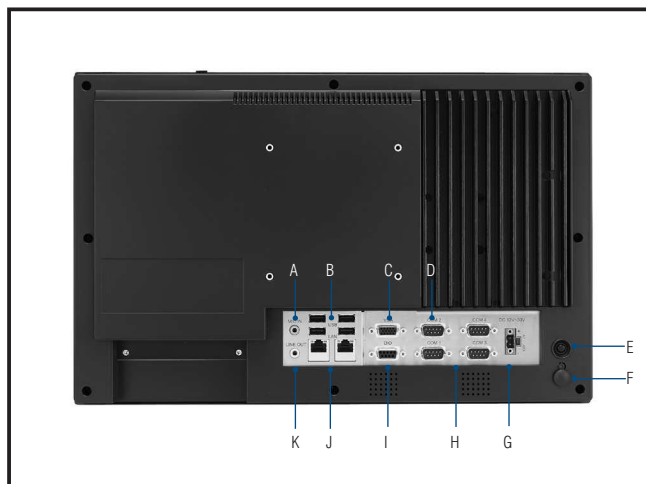
Processor system	CPU	Intel Atom D2550 1.86GHz 10W Dual Core CPU on board	
	Memory	SODIMM x 1, DDR3 1066, Max 4 GB	
	2nd Cache Memory	1 MB	
	Chipset	Intel NM10	
	Storage	mSATA x 1	
	HDD	1 x 2.5" SATA HDD Bay (Internal)	
	I/O Ports		4 x Serial ports: 3 x RS-232, 1x RS-232/422/485 (Adjustable through BIOS)
			5 x USB 2.0 ports (4 in Rear, 1 from right side)
			1 x Line-out, 1x MIC-in
			1 x DB15 VGA 1 x DB9 GPIO port (8 pin programable)
Bus Expansion		1 x MINI PCIe, 1 x PClex1 or 1 x PCI	
	Network (LAN)	2 x 10/100/1000 Mbps Ethernet	
Watchdog Timer		255 timer levels; setup by software	
Dimensions		419.7 x 269 x 59 mm	
OS support	OS Support	Win XPE / WES7 / WIN CE7.0 / Linux	
Power supply	Input Voltage	DC 12 ~ 30 V	
LCD Display	Display Type	15.6" TFT LCD (LED Backlight)	
	Max. Resolution	1366 x 768	
	Colors	16.7 M colors	
	Dot Size (mm)	0.264 x 0.264	
	Viewing Angle	85 (left), 85 (right), 80 (up), 80 (down)	
	Luminance	300	
	Brightness Control	Yes	
	Backlight Lifetime	50,000 hrs	
Touchscreen	Touch Type	Projected Capacitive 4 point Multitouch	
	Controller	USB interface	
	Software Driver Supports	Windows 7 / XP Embedded (WES7E and XP Embedded support single touch only)	
Environment	Operating Temperature	0 ~ 50°C (32 ~ 122°F)	
	Storage Temperature	-20 ~ 60°C (-4 ~ 140°F)	
	Relative Humidity	10 ~ 95% @ 40°C (non-condensing)	
	Shock	Operating 10 G peak acceleration (11 ms duration), follow IEC 60068-2-27	
	Vibration	Operating Random Vibration Test 5~500Hz, 1Grms, follow IEC 60068-2-64	
	EMC	BSMI, CE, FCC Class B	
	Safety	CB, CCC, BSMI, UL	
	Front Panel Protection	IP65 compliant	

Dimensions

Unit: mm



I/O Appearance



- | | |
|----------------------|----------------------------------|
| A. Mic-in | F. Ground Line |
| B. 4 x USB 2.0 | G. DC Inlet |
| C. VGA Port | H. 3 x RS232 |
| D. 1 x RS232/422/485 | I. DIO Port |
| E. Power Button | J. 2 x 10/100/1000 Mbps Ethernet |
| | K. Line Out |

Ordering Information

- **PPC-4150W-P2GAE** 15.6 Wide screen PPC with PCT Multi-touch, Intel Atom D2550 1.86GHz, 2G DDR3 pre-installed
- **PPC-4150W-P4GAE** 15.6 Wide screen PPC with PCT touch, Intel Atom D2550 1.86GHz, 4G DDR3 pre-installed
- **PPC-6150-WLANE** Wi-Fi Module with Intel 6205 for PPC-6150/6170
- **PS-DC19-L157E** 19V DC power Adapter Module
- **1700001524** POWER Cord 3P UL 10A 125V 180cm
- **170203183C** POWER Code 3P Europe (WS-010+083)183cm
- **1700008921** POWER CORD 3P/3P POWER SUPPLY 1.8M PSE
- **PPC-174T-WL-MTE** Wall mount kit A800B for PPC series
- **PPC-4150W-STANDE** Desktop stand kit for PPC-4150W
- **PPC-ARM-A03** PPC ARM VESA Standard