

# PH5504A2NA1

Data Sheet  
R08DS0067EJ0100  
Rev.1.00  
Nov 05, 2012

Ambient Light Sensor

## DESCRIPTION

The PH5504A2NA1 is an ambient light sensor with a photo diode and current amplifier. This product has spectral characteristics close to human eye sensitivity and outputs light current proportional to the ambient brightness.

The PH5504A2NA1 can be used to improve the performance and reduce the power consumption of digital equipment such as FPD-TV sets and mobile phones, by enabling automatic brightness control and automatic switching on and off of lighting systems.

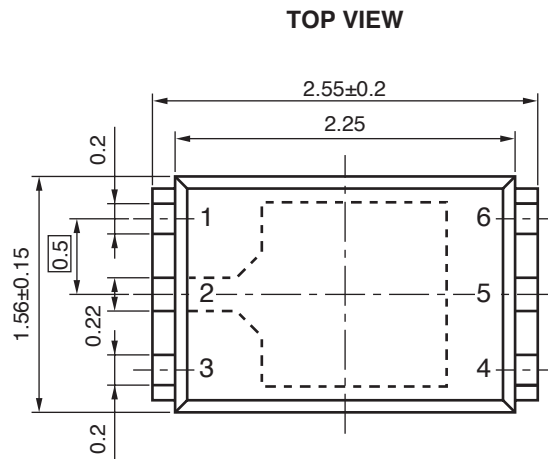
## FEATURES

- Small and thin SON package                      2.55 x 1.56 x 0.55 mm
- Spectral characteristics close to human eye sensitivity  
Peak sensitivity wavelength                      530 nm TYP.
- The impact of infrared light can be reduced by incorporating infrared light correction circuits.
- Output characteristics proportional to illuminance
- Output light current                                      55  $\mu$ A TYP.@100 lx (Fluorescent light)
- Reduced variation of output current among light sources
- Low voltage operation                                       $V_{CC} = 1.8$  to 5.5 V
- Pb-free

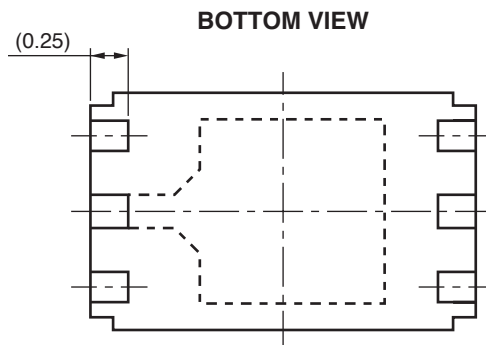
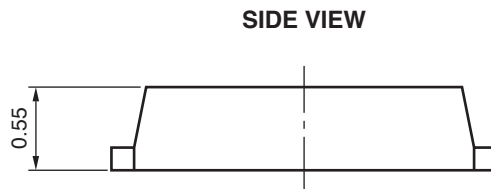
## APPLICATIONS

- FPD TV sets, displays
- Mobile phones, smartphones
- Notebook PCs, tablet PCs
- DSCs, DVCs
- FA equipment
- Lighting systems, etc.

**PACKAGE DIMENSIONS (UNIT: mm)**



**Remark** Pin 1 is distinguishable by the shape of the lead frame.



**Remark** ( ) indicates nominal dimensions.

Pin No.	Terminal
1	OUT
2	GND
3	V <sub>CC</sub>
4	NC
5	NC
6	NC

**Remark** 1. Connect all the NC terminals to GND or V<sub>CC</sub>.  
 2. The bypass capacitor between V<sub>CC</sub> and GND is to be mounted within 20 mm of the package body.