

# NX8602BF-AA

## Data Sheet

LASER DIODE

R08DS0069EJ0100

Rev.1.00

1 650 nm InGaAsP MQW-DFB LASER DIODE COAXIAL MODULE FOR OTDR APPLICATION

Jan 29, 2013

### DESCRIPTION

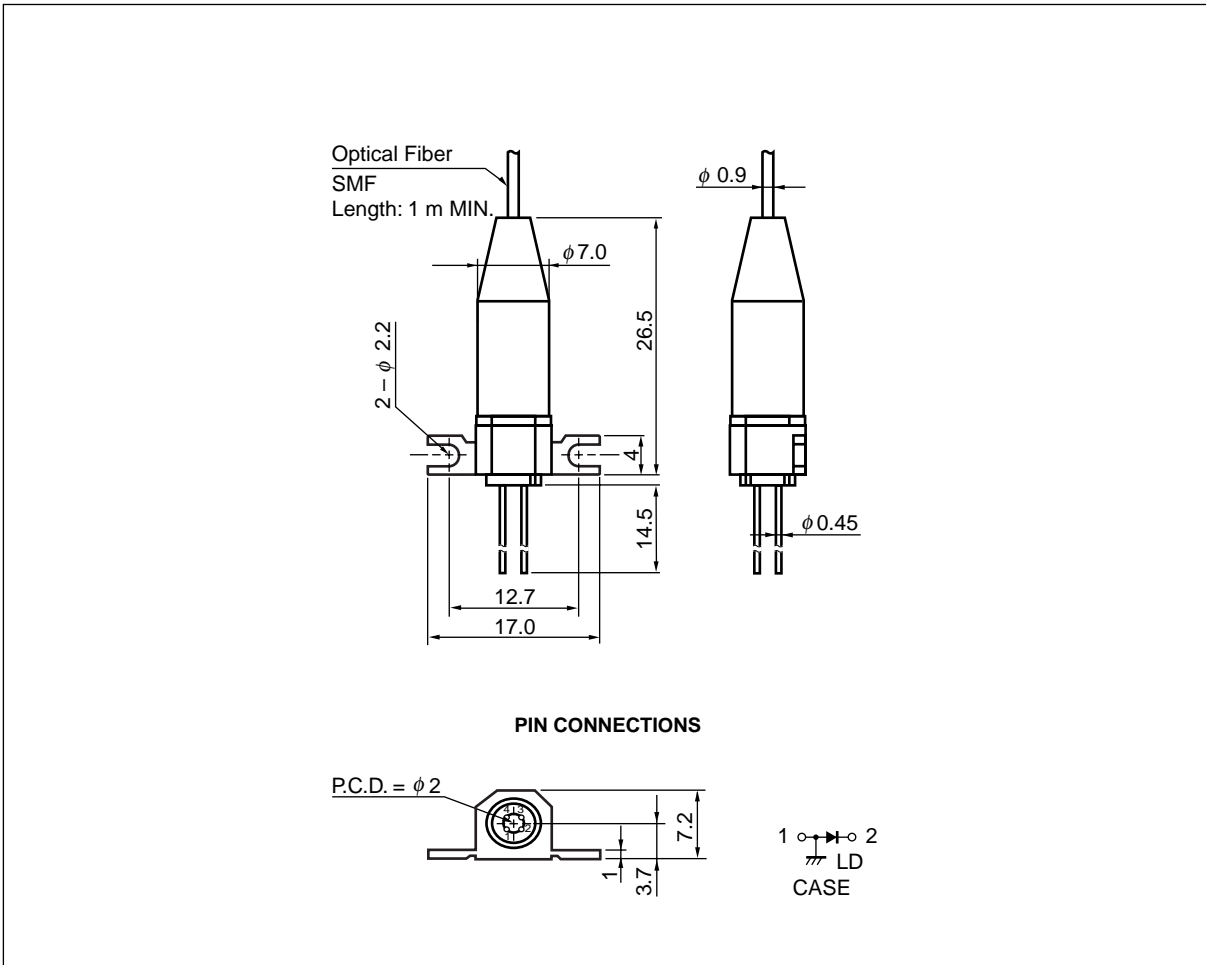
The NX8602BF-AA is a 1 650 nm Multiple Quantum Well (MQW) structured Distributed Feed-Back (DFB) pulsed laser diode coaxial module with single mode fiber. This module is specified to operate under pulsed condition and designed for light source of Optical Time Domain Reflectometer (OTDR).

### FEATURES

- Distributed Feed-Back (DFB) pulsed laser diode
- High output power  $P_f = 80 \text{ mW}$  @  $I_{FP} = 450 \text{ mA}$ ,  $PW = 10 \mu\text{s}$ , Duty = 1%
- Wavelength  $\lambda_p = 1 \text{ 650 nm}$
- Single mode fiber pigtail



**PACKAGE DIMENSIONS (UNIT: mm)**



**OPTICAL FIBER CHARACTERISTICS**

Parameter	Specification	Unit
Mode Field Diameter	9.3 $\pm$ 0.5	$\mu$ m
Cladding Diameter	125 $\pm$ 2	$\mu$ m
Maximum Cladding Non-circularity	2	%
Maximum Core/Cladding Concentricity	1.6	%
Outer Diameter	0.9 $\pm$ 0.1	mm
Cut-off Wavelength	1 100 to 1 280	nm
Minimum Fiber Bending Radius	30	mm
Fiber Length	1 000 MIN.	mm

