



PRELIMINARY

Low power dual voltage comparator

DESCRIPTION

AA393 includes two independent precision voltage comparators. The maximum offset voltage is as low as 2.0mV. Single power supply provides over a wide range of operating voltages from 2V to 36V or Dual power supply from ±1V to ±18V. The IC is available in 8-pin TSSOP (AA393A) and 8-pin SOP (AA393S) package.

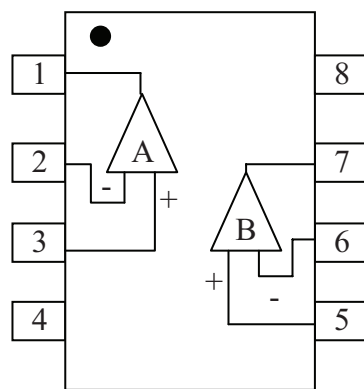
FEATURES

- 1. Wide single operating supply range from 2V to 36V
- 2. Wide dual operating supply range from ±1V to ±18V
- 3. Low supply current $I_{CC}=0.8mA$
- 4. Low input bias current $I_{bias}=25nA$
- 5. Input common-mode voltage includes ground
- 6. Differential input voltage range equal to the power supply voltage
- 7. Open collector outputs for wired and connection
- 8. Output compatible with TTL ,DTL, and CMOS logic system

APPLICATION

- A/D converters
- Wide range VCO
- MOS clock generator
- High voltage logic gate
- Multi-vibrators

AA393 BLOCK DIAGRAM



PIN Assignments

- 1. A OUTPUT
- 2. A- INPUT
- 3. A+ INPUT
- 4. GND
- 5. B+ INPUT
- 6. B- INPUT
- 7. B OUTPUT
- 8. V+

AA393A
AA393S