

THE INFORMATION CONTAINED IN THIS DRAWING IS THE SOLE PROPERTY OF BUD INDUSTRIES INC. ANY REPRODUCTION IN PART OR WHOLE WITHOUT THE WRITTEN PERMISSION OF BUD INDUSTRIES INC. IS PROHIBITED.

DWG. NO.	CN-6711
ISSUE	REVISIONS

MATERIAL- ALUMINUM ALLOY # ADC-12

FINISH - NATURAL (CONTACT BUD FACTORY FOR ALTERNATE FINISHES)

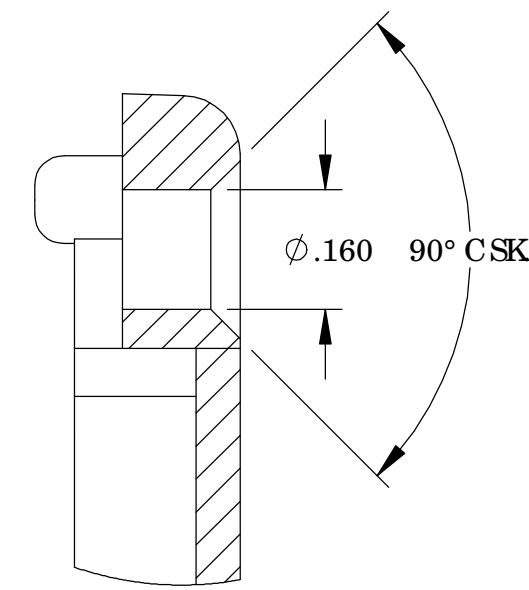
GASKET- RATED IP65 NEO PRENE, SELF-ADHESIVE, 3mm THICK, COLOR BLACK

SCREWS- STAINLESS STEEL, M3.5 x 12mm IG., CSK HEAD, SELF-THREADING

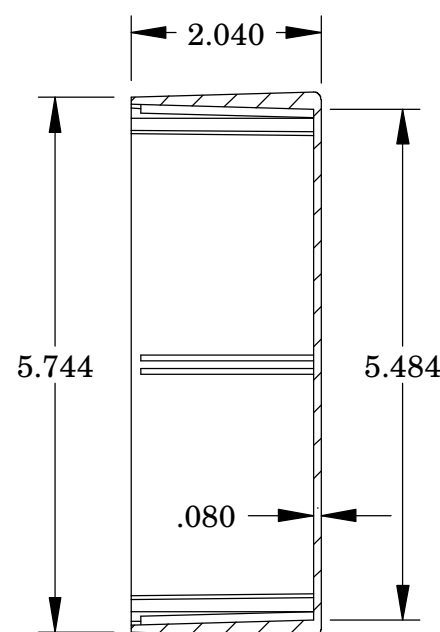
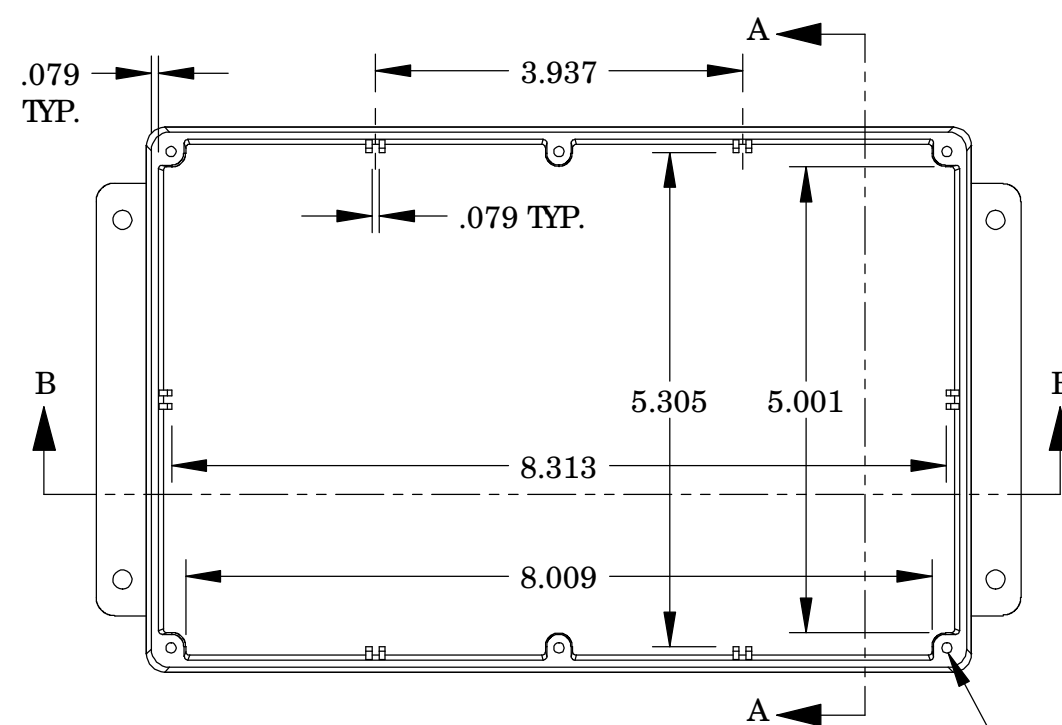
ALL HOLE DIAMETERS HAVE ±.005 TOLERANCE

ALL OTHER DIMENSIONS HAVE ±.015 TOLERANCE

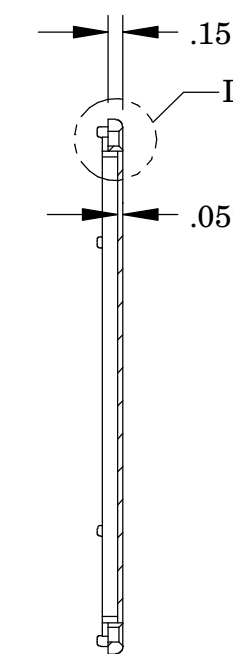
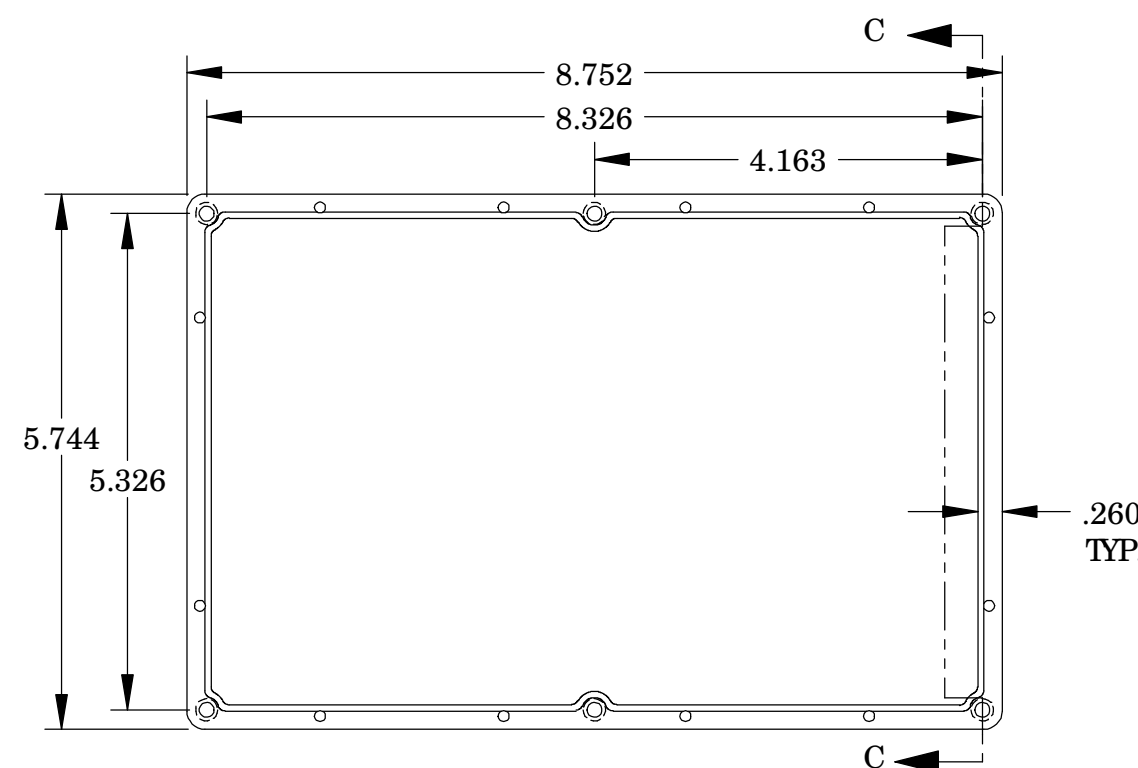
ENCLOSURES ARE SHIPPED UNASSEMBLED WITH ALL ITEMS SHOWN.



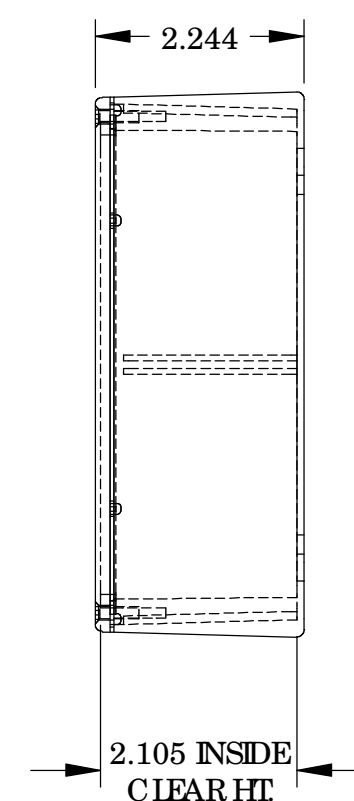
DETAIL D  
SCALE 4:1



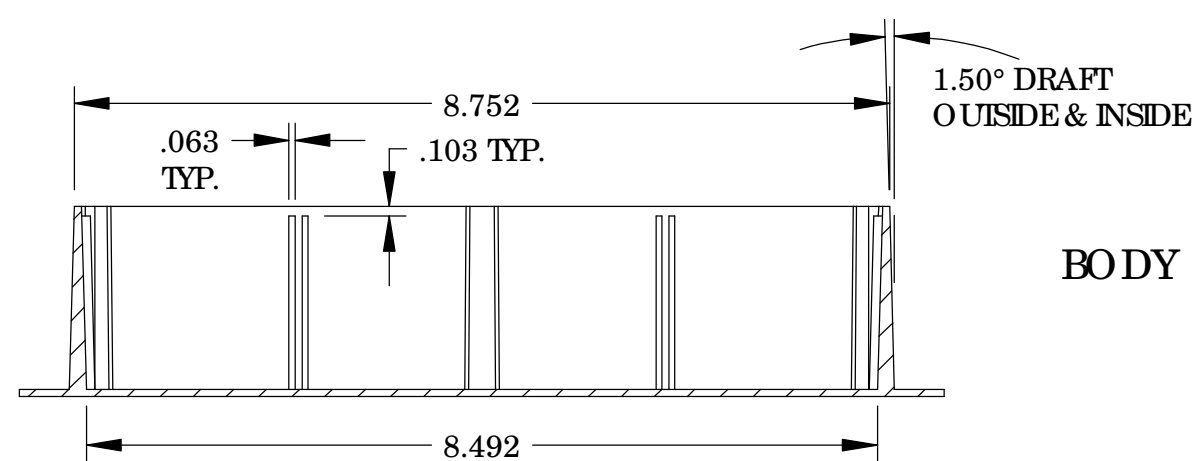
SECTION A-A



SECTION C-C

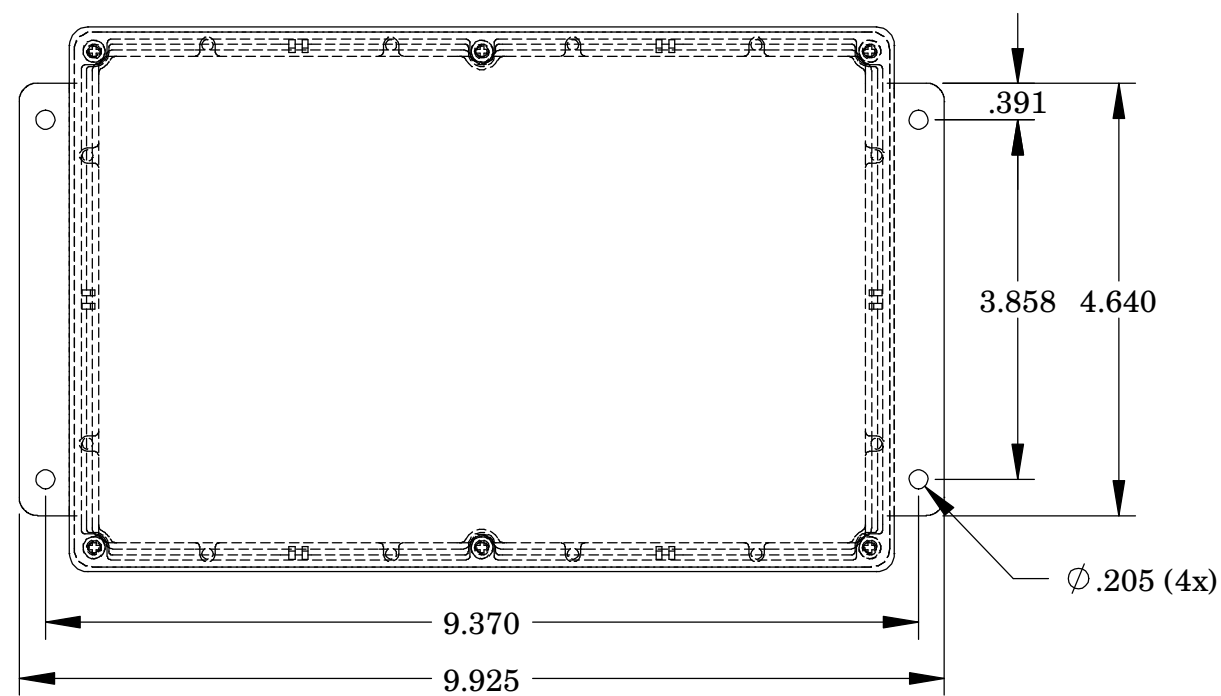
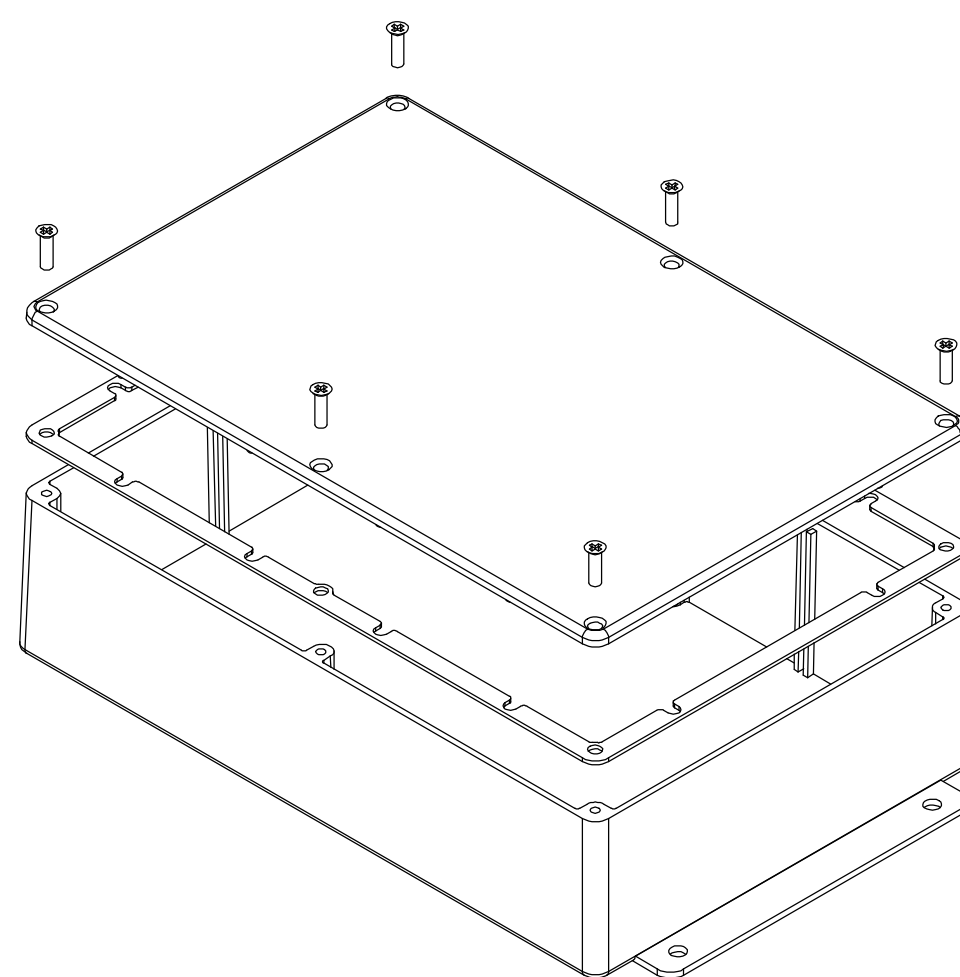


COVER



SECTION B-B

BODY



Ø.205 (4x)

PARIS LIST		CAD GENERATED DRAWING, DO NOT MANUALLY UPDATE		BUD INDUSTRIES INC.	
APPROVALS	DATE	DRAWN		DIE CAST ALUMINUM ENCLOSURE	
DAB	4-3-06	CHECKED		DWG. NO. CN-6711	
AS NOTED	APPROVED	SCALE		SUBSET 1 OF 1	
AS NOTED					
QTY.	USED ON	DO NOT SCALE DRAWING			