

PART NAME	UTILIBOX (STYLE A)	PART No.	CU-3285 & CU-3285-MB CUR-3285 & CUR-3285-MB CUR-3285-C & CUR-3285-CMB	REV. DATE	9-2-10
-----------	--------------------	----------	---	-----------	--------

MATERIAL:

BODY AND STANDARD COVERS

ABS THERMOPLASTIC (FLAMMABILITY RATING UL94-5VA)

RECESSED COVERS (CUR-)

ABS THERMOPLASTIC (FLAMMABILITY RATING UL94-5VA)

CLEAR COVERS (-C)

ABS THERMOPLASTIC (FLAMMABILITY RATING UL94V-2)

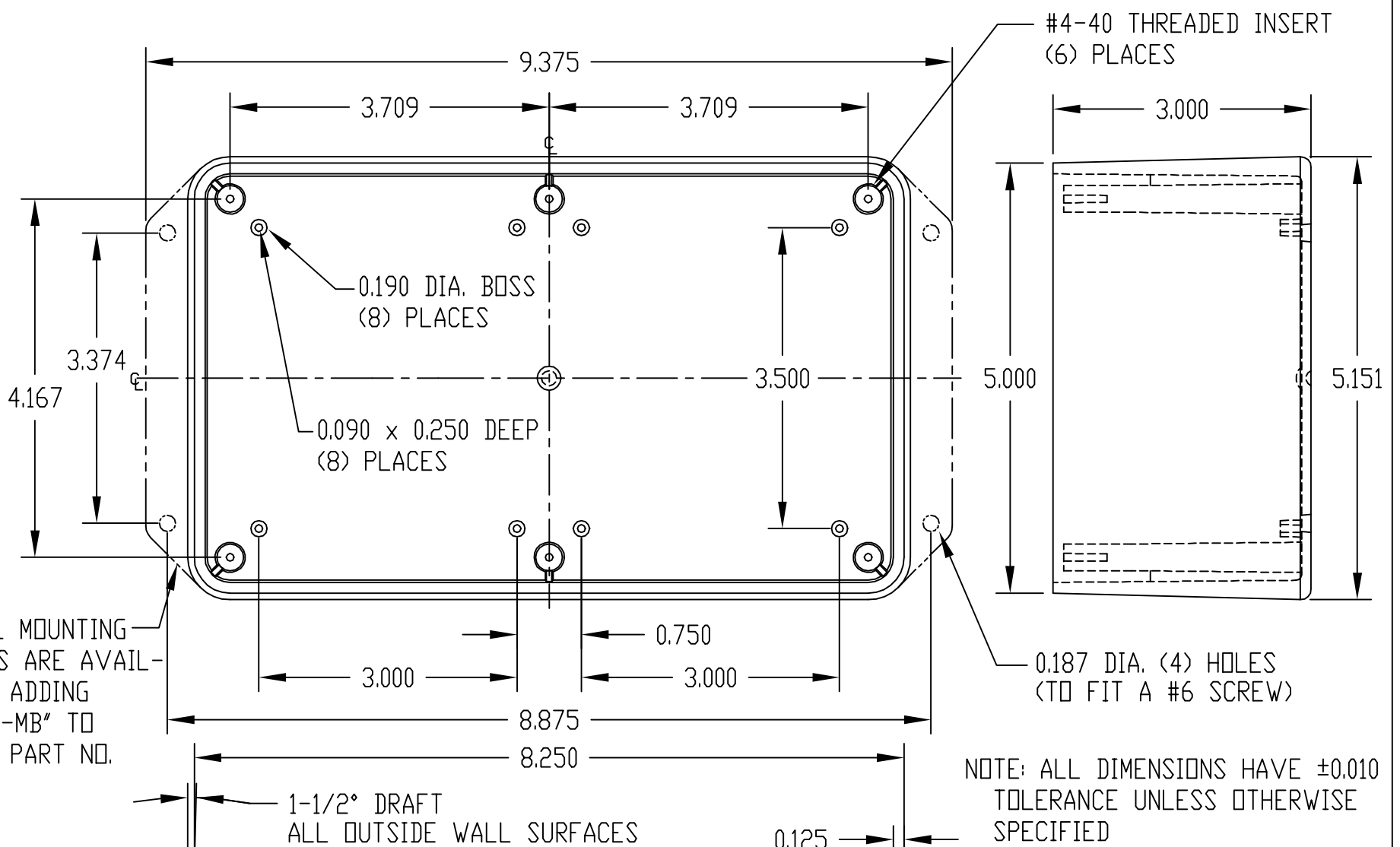
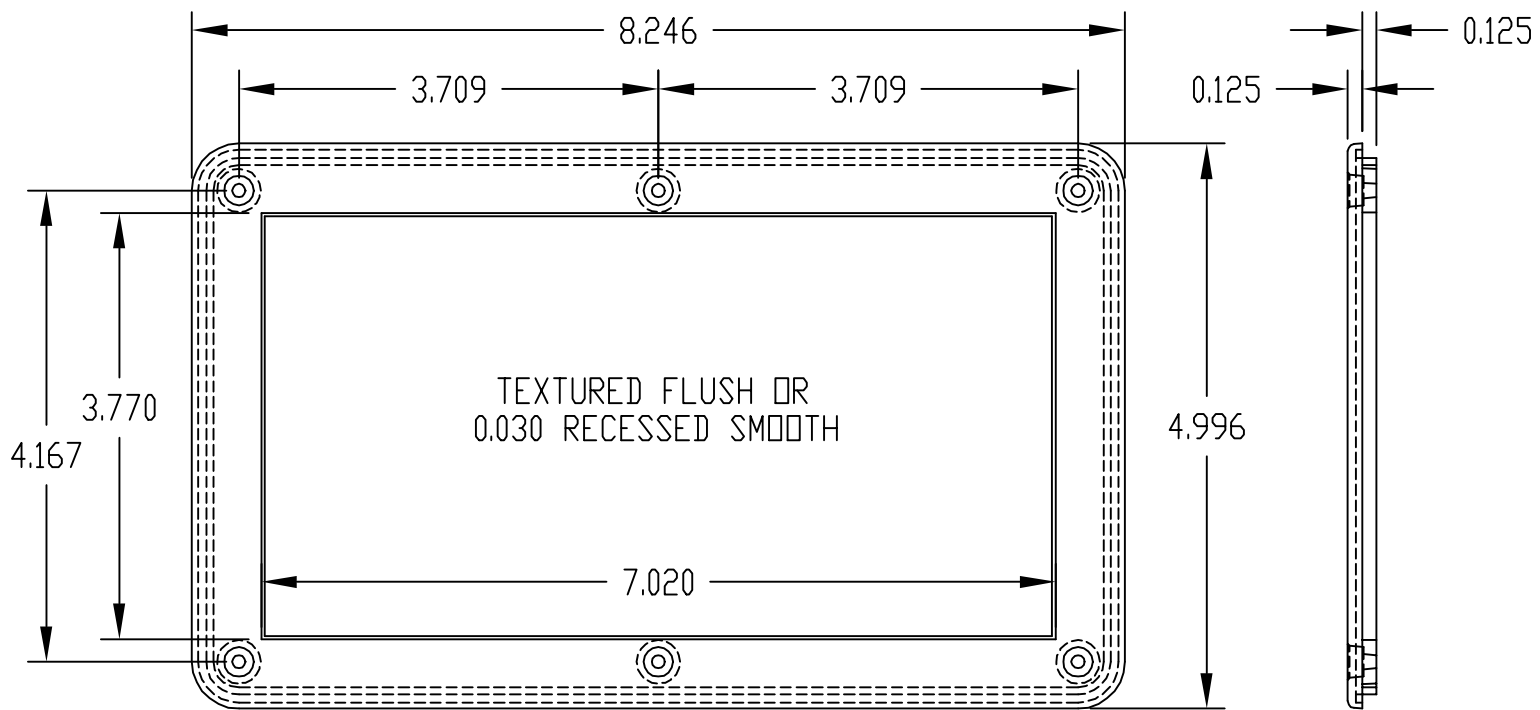
FINISH

BODY AND STANDARD COVERS ARE BLACK TEXTURED

RECESSED (CUR-) AND CLEAR COVERS (-C) ARE SMOOTH FINISH

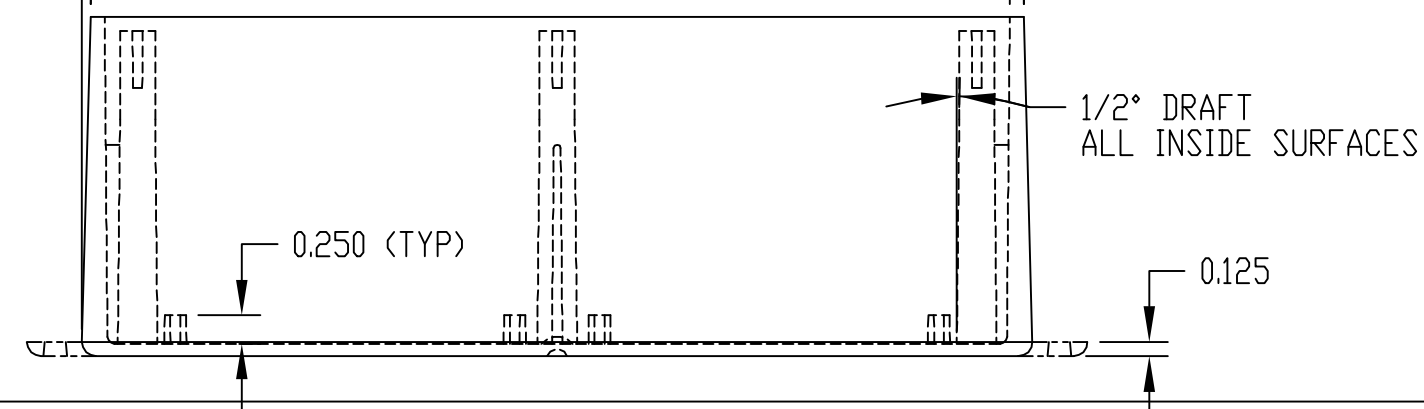
SIX (6) #4-40 x 0.500" LG. SCREWS SUPPLIED FOR ASSEMBLING COVER TO BODY

MOUNTING BOSSES USE EITHER M2.5 METRIC OR #4 STD. SHEET METAL SCREWS x 0.250" LG. (NOT SUPPLIED)



OPTIONAL MOUNTING BRACKETS ARE AVAILABLE BY ADDING SUFFIX "-MB" TO CATALOG PART NO.

NOTE: ALL DIMENSIONS HAVE ±0.010 TOLERANCE UNLESS OTHERWISE SPECIFIED



PART No.	CU-3285	TEXTURED FLUSH COVER LESS RECESS AND BODY WITHOUT MOUNTING FLANGE
PART No.	CU-3285-MB	TEXTURED FLUSH COVER LESS RECESS AND BODY WITH MOUNTING FLANGE.
PART No.	CUR-3285	COVER WITH SMOOTH 0.030 RECESS AND BODY WITHOUT MOUNTING FLANGE.
PART No.	CUR-3285-MB	COVER WITH SMOOTH 0.030 RECESS AND BODY WITH MOUNTING FLANGE