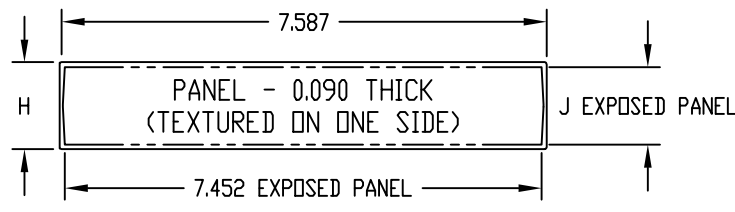
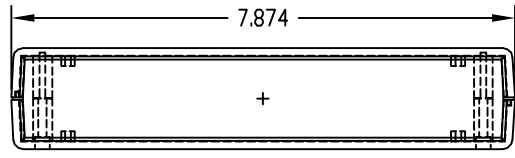
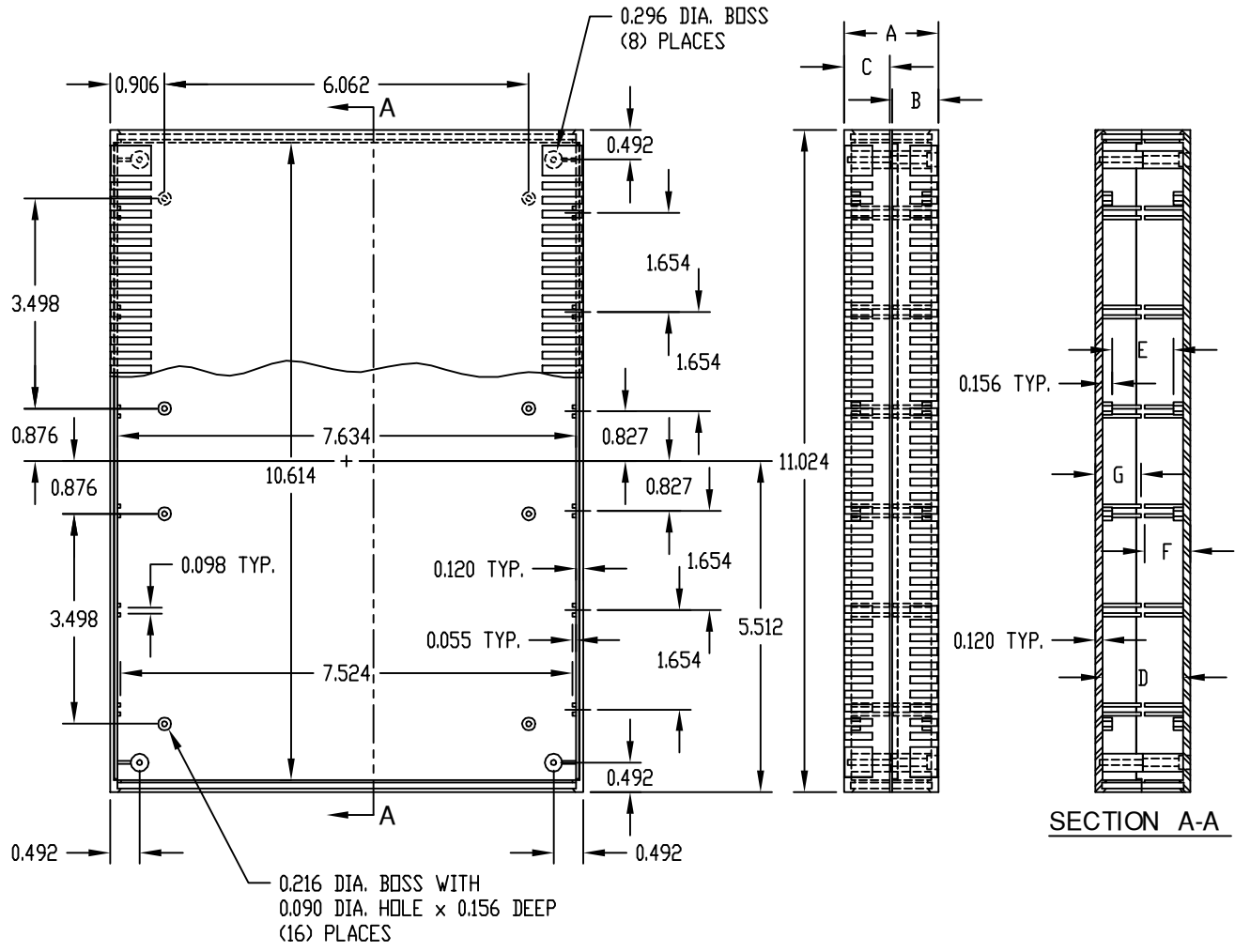


PART NAME

PLASTICASE

PART No.

PC-11469, PC-11470 & PC-11471



MATERIAL: ABS THERMOPLASTIC (UL 94-HB RATED)

FINISH: TOP & BOTTOM _____ LIGHT GRAY
 PANELS _____ DARK GRAY

FOR PC-11469 & PC-11470
 FOUR (4) M3 x 1.087 LG SCREWS SUPPLIED FOR ASSEMBLING BOTTOM TO TOP.

FOR PC-11471
 FOUR (4) M3 x 1.887 LG SCREWS SUPPLIED FOR ASSEMBLING BOTTOM TO TOP.

FOUR (4) RUBBER STICK-ON FEET SUPPLIED.

MOUNTING BOSSSES USE EITHER M2.5 METRIC OR #4 STD. SHEET METAL SCREWS x 3/16 LG. (NOT SUPPLIED)

NOTE: ALL DIMENSIONS HAVE ±0.015 TOLERANCE UNLESS OTHERWISE SPECIFIED.

| PART NO. | A | B | C | D | E | F | G | H | J |
|----------|-------|-------|-------|-------|-------|-------|-------|-------|-------|
| PC-11469 | 1.575 | 0.768 | 0.768 | 1.335 | 1.023 | 0.759 | 0.759 | 1.356 | 1.215 |
| PC-11470 | 2.362 | 0.768 | 1.555 | 2.122 | 1.810 | 0.759 | 1.546 | 2.143 | 2.002 |
| PC-11471 | 3.149 | 1.555 | 1.555 | 2.909 | 2.597 | 1.546 | 1.546 | 2.930 | 2.789 |