

PART NAME

NON-METALLIC ENCLOSURE (STYLE A)

PART No.

NBA-10144 & NBA-10164

**MATERIAL:**

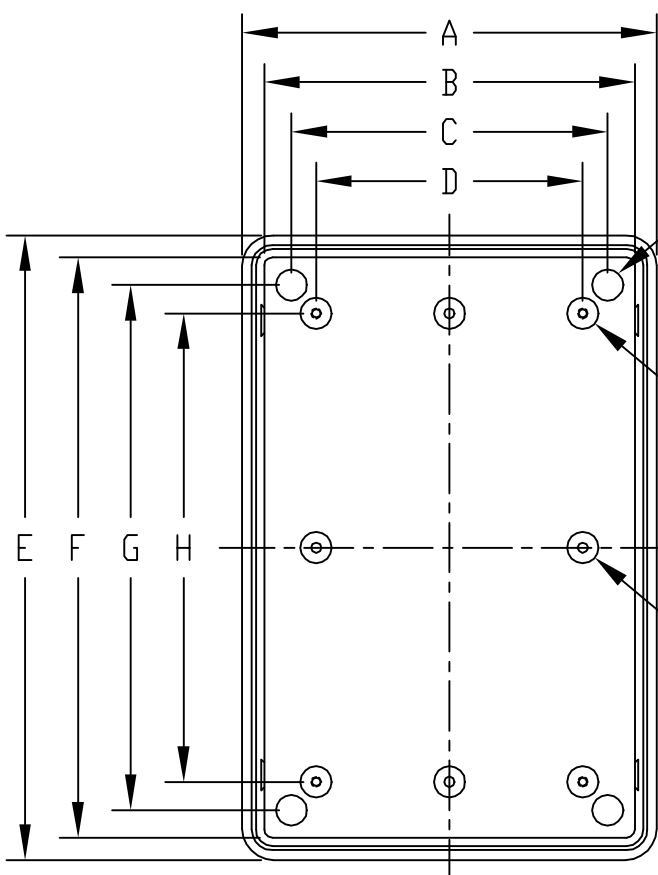
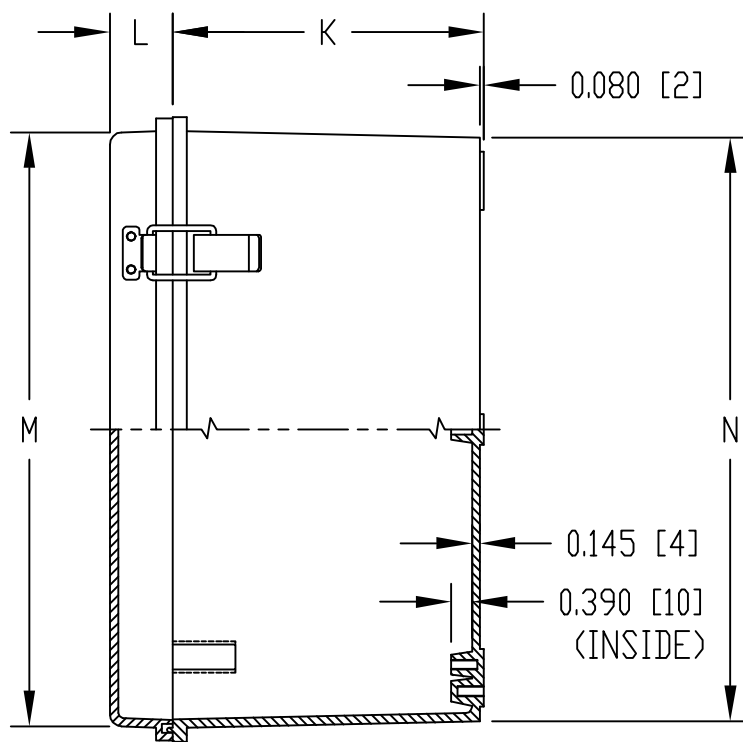
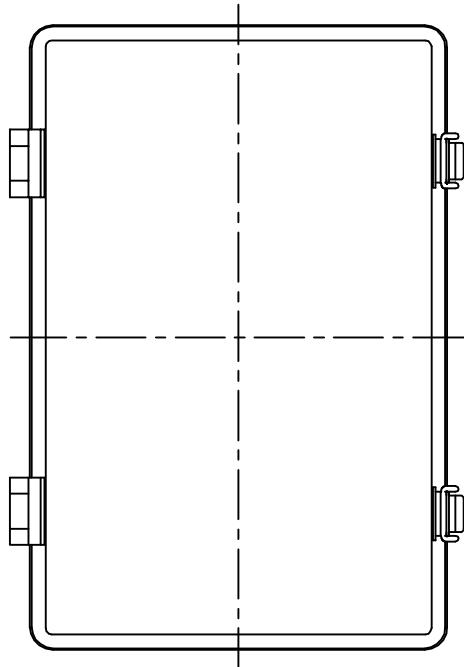
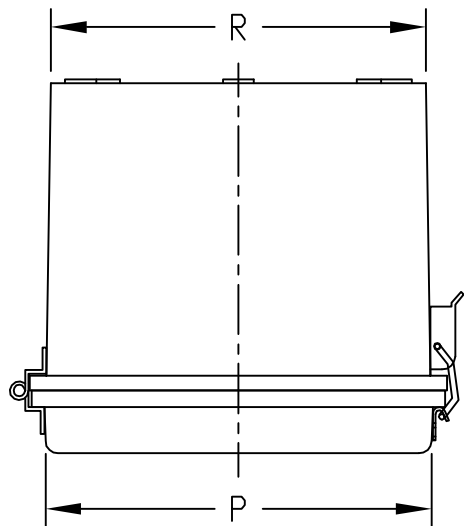
SOLID BODY & COVER \_\_\_\_\_ ABS/PC BLENDED PLASTIC  
UL94-5VB FLAMMABILITY RATING

CLEAR COVER \_\_\_\_\_ POLYCARBONATE PLASTIC  
UL94V-0 FLAMMABILITY RATING  
UV STABILIZED

LATCHES, HINGES &  
WALL MOUNTING BRACKETS \_\_\_\_\_ STAINLESS STEEL

**FINISH:**

BODY \_\_\_\_\_ LIGHT GRAY  
COVER \_\_\_\_\_ LIGHT GRAY OR CLEAR



VIEW LESS COVER

0.590 [15] DIA. BOSS  
WITH M5 x 0.8mm  
THREADED BRASS INSERT  
(4) PLACES (FAR SIDE)

0.590 [15] DIA. BOSS  
WITH M5 x 0.8mm  
THREADED BRASS INSERT  
(4) PLACES

0.590 [15] DIA. BOSS WITH  
0.197 [5] DIA. HOLE x  
0.395 [10] DEEP (4) PLACES  
BOSSSES ACCEPT M6 METRIC OR  
0.250" STD. SHEET METAL SCREWS  
x 0.375 [9] LG. (NOT SUPPLIED)

COVER INCLUDES GRAY POLY-  
URETHANE GASKET.

**NOTE:** UNIT COMES COMPLETE WITH  
(4) WALL MOUNTING BRKTS.  
& (4) M5 x 10mm LG. TRUSS  
HD. MACHINE SCREWS (NOT SHOWN)

INTERNAL HINGED PANEL MOUNTING  
BRACKETS, AIR & MOISTURE VENTS,  
STAINLESS STEEL LOCKING HASP  
AND GALVANIZED STEEL INTERNAL  
PANEL ARE NOT INCLUDED, BUT  
CAN BE PURCHASED SEPARATELY.

**INDUSTRY STANDARDS:**

UL508 TYPE 1, 2, 4, 4X INDOOR, 12 & 13  
NEMA TYPE 1, 2, 4, 4X, 12 & 13  
IEC529-IP65

DIMENSIONS = INCHES  
[MILLIMETERS]

**NOTE:** ALL DIMENSIONS HAVE ±0.039 [±1] TOLERANCE  
UNLESS OTHERWISE SPECIFIED

PART NO.		DIMENSIONS													
SOLID COVER	CLEAR COVER	A	B	C	D	E	F	G	H	K	L	M	N	P	R
NBA-10144	NBA-10164	7.848 [199]	7.021 [178]	5.990 [152]	5.050 [128]	11.832 [301]	10.989 [279]	9.949 [253]	8.872 [225]	5.899 [150]	1.186 [30]	11.253 [286]	11.060 [281]	7.308 [186]	7.100 [180]