

## ELPS

### CS6A-210 | 215MM

#### THE BEST IN CLASS

Canadian Solar's modules are the best in class in terms of power output and long term reliability. Our meticulous product design and stringent quality control ensure our modules deliver a higher PV energy yield in live PV system as well as in PVsyst's system simulation. Our in-house PV testing facilities guarantee all module component materials meet the highest quality standards possible.

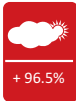
#### PRODUCT | KEY FEATURES



Aesthetic module appearance



Excellent module efficiency up to 16.54%



Outstanding performance at low irradiance above 96.5%



Positive power tolerance up to 5w



Self-cleaning & anti-glaring module surface available



IP67 junction box available long-term weather endurance

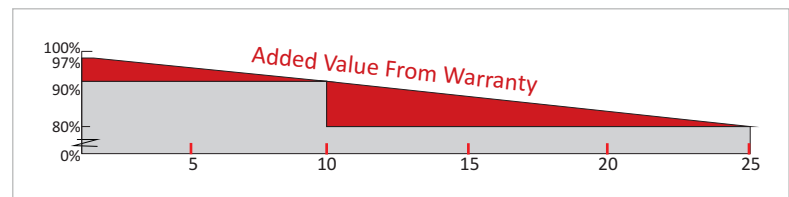


Heavy snow load up to 5400pa



Salt mist, ammonia and blowing sand resistance, apply to seaside, farm and desert environment

#### PRODUCT | WARRANTY & INSURANCE



25 Year Industry leading linear power output warranty  
10 Year Product warranty on materials and workmanship



Canadian Solar provides 100% non-cancellable, immediate warranty insurance

#### PRODUCT & MANAGEMENT SYSTEM | CERTIFICATES

IEC 61215 / IEC 61730: VDE / TUV / MCS / CE / JET / CEC AU  
UL 1703 / IEC 61215 performance: CEC listed ( US )  
UL 1703: CSA | IEC 61701 ED2: VDE | IEC 62716: TUV | IEC60068-2-68: SGS

ISO9001: 2008 | Quality management system  
ISOTS16949:2009 | The automotive industry quality management system  
ISO14001:2004 | Standards for environmental management system  
QC080000:2012 | The certificate for hazardous substances process management  
OHSAS 18001:2007 | International standards for occupational health and safety

\*Please contact your sales representative for the entire list of certificates applicable to your products

#### CANADIAN SOLAR INC.

Founded in 2001 in Canada, Canadian Solar Inc., (NASDAQ:CSIQ) is one of the world's largest and foremost solar power companies. As a leading manufacturer of solar modules and PV project developer with about 6 GW of premium quality modules deployed around the world in the past 12 years, Canadian Solar is one of the most bankable solar companies in Europe, USA, Japan and China. Canadian Solar operates in six continents with customers in over 70 countries and regions. Canadian Solar is committed to providing high quality solar products, solar system solutions and services to customers around the world.



## ELECTRICAL DATA | STC

Electrical Data	CS6A-210MM	CS6A-215MM
Nominal Maximum Power (Pmax)	210W	215W
Optimum Operating Voltage (Vmp)	24.6V	24.7V
Optimum Operating Current (Imp)	8.54A	8.70A
Open Circuit Voltage (Voc)	30.3V	30.4V
Short Circuit Current (Isc)	9.06A	9.22A
Module Efficiency	16.15%	16.54%
Operating Temperature	-40°C~+85°C	
Maximum System Voltage	1000V (IEC) /600V (UL)	
Maximum Series Fuse Rating	15A	
Application Classification	Class A	
Power Tolerance	0 ~ +5W	

\*Under Standard Test Conditions (STC) of irradiance of 1000W/m<sup>2</sup>, spectrum AM 1.5 and cell temperature of 25°C.

## ELECTRICAL DATA | NOCT

Electrical Data	CS6A-210MM	CS6A-215MM
Nominal Maximum Power (Pmax)	152W	155W
Optimum Operating Voltage (Vmp)	22.4V	22.5V
Optimum Operating Current (Imp)	6.76A	6.89A
Open Circuit Voltage (Voc)	27.8V	27.9V
Short Circuit Current (Isc)	7.33A	7.46A

\*Under Nominal Operating Cell Temperature(NOCT), irradiance of 800 W/m<sup>2</sup>, spectrum AM 1.5, ambient temperature 20°C.

## MODULE | MECHANICAL DATA

Specification	Data
Cell Type	ELPS Mono Cell 156 x 156mm
Cell Arrangement	48 (6 x 8)
Dimensions	1324 x 984 x 40mm (52.1 x 38.7 x 1.57in)
Weight	15.5kg (34.2 lbs)
Front Cover	3.2mm tempered glass
Frame Material	Anodized aluminium alloy
J-BOX	IP65 or IP67, 3 diodes
Cable	4mm <sup>2</sup> (IEC)/12AWG(UL), 950mm
Connectors	MC4 or MC4 comparable
Standard Packaging	38pcs, 665kg (quantity and weight per pallet)
Module Pieces Per Container	608 pcs

## TEMPERATURE CHARACTERISTICS

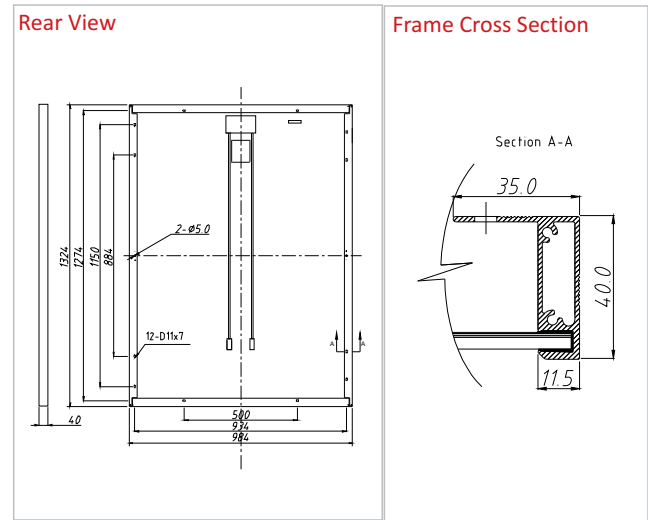
Specification	Data
Temperature Coefficient (Pmax)	-0.45%/°C
Temperature Coefficient (Voc)	-0.35 %/°C
Temperature Coefficient (Isc)	0.060 %/°C
Nominal Operating Cell Temperature	45±2°C

## PERFORMANCE AT LOW IRRADIANCE

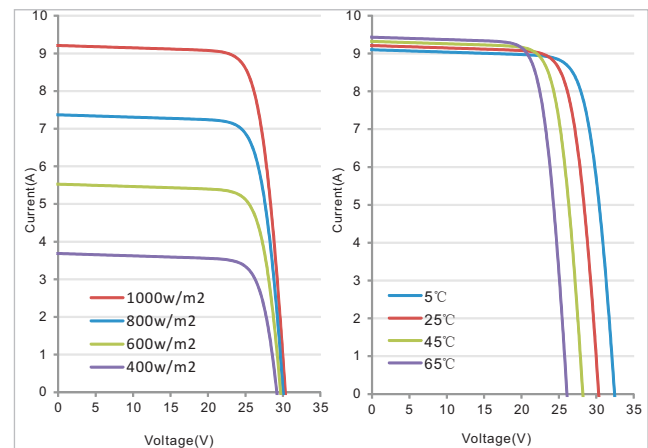
Industry leading performance at low irradiation environment, +96.5% module efficiency from an irradiance of 1000w/m<sup>2</sup> to 200w/m<sup>2</sup> (AM 1.5, 25 °C)

\*The specifications made herein may deviate slightly and are not guaranteed. Due to ongoing innovation, research and product enhancement we reserve the right to make any adjustments to the information contained herein at any time without notice.. Please always obtain the most recent revision of datasheet which shall be duly incorporated into the binding contract made by the parties governing all transactions related to the purchase and sale of the products described herein.

## MODULE | ENGINEERING DRAWING



## ELPS CS6A-215MM | I-V CURVES



## Partner Section