



Selectable Very High Frequency LP/BP Filter Preliminary Data Sheet

MSVHFS1-6

Description

The MSVHFS1-6 is a selectable very high frequency lowpass/bandpass filter CMOS IC. The lowpass response can be a 6 pole Butterworth, Elliptic or Bessel filter. The band pass response can be a six pole full, third or sixth octave bandpass filter. The device uses switched-capacitor filters (SCF) and no external components (except for decoupling capacitors) are required. An external clock is used for the filter functions. Lower current, and lower frequencies are pin selected.

An externally selectable gain setting pin, along with a power down and clock to corner ratio select pin are included in the 16 pin version.

Features

- Low Voltage: 3.0 VDC
- Six Filter Types In One Package
- No External Components
- Switched-Capacitor Filters
- Very High Frequency Filter Operation
- Selectable Gain 0, 10 or 20 dB
- Small Package Size
- On Chip Power Save Pin
- ANSI Compatible Bandpass

Applications

- Spectrum Analyzers
- General Purpose Systems
- Portable Systems
- Anti-Alias Filters
- Telecommunications
- Tracking Filters
- Harmonic Analysis
- Noise Analysis
- Data Communication
- Wireless Applications

Absolute Maximum Ratings

Power Supply Voltage		+3.5V
Storage Temperature Range	-60° to +150° C	
Operating Temperature Range	-40° to +85° C	

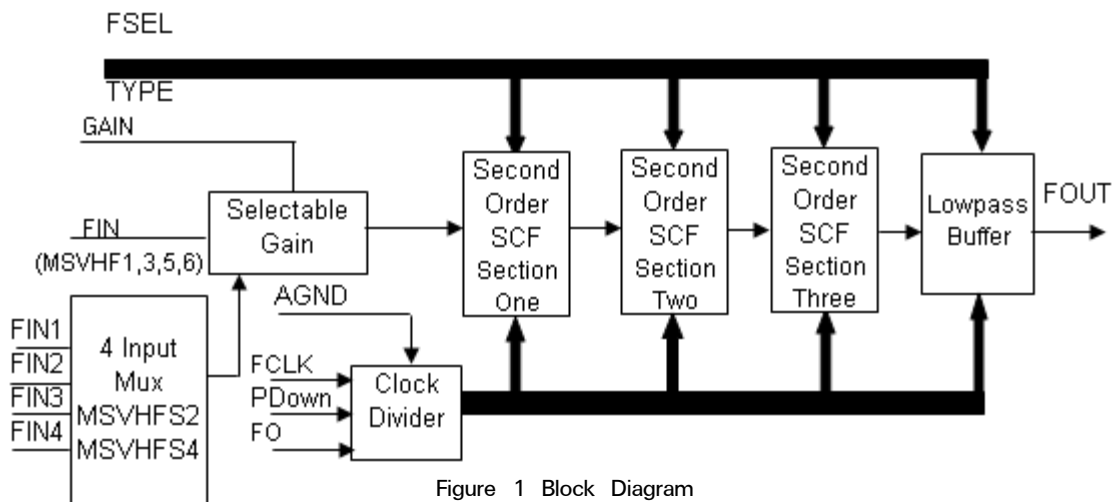


Figure 1 Block Diagram





Selectable Very High Frequency LP/BP Filter Preliminary Data Sheet

Electrical Characteristics

(VDD = +3.0V, T = 25 C) Sample rate is 2X clock to corner ratio

M SVHFS1-6

PARAMETER	SYMBOL	CONDITIONS	MIN	TYP	MAX	UNITS
DC Specifications						
Operating Voltage	VDD			3.0	3.3	V
Supply Current	IDD	MSVHFS3,4,6		1.0		mA
Supply Current	IDD	MSVHFS1,2,5		5.0		mA
Supply Current in Power Down Mode	IDD _{PD}	PDown=High		200		μA
Filter AC Specifications						
Gain	A _V	G=VSS	-0.5	0	0.5	dB
Gain with 10 dB Selected	A _{V10dB}	G=1/2 VDD		10		dB
Gain with 20 dB Selected	A _{V20dB}	G= VDD		20		dB
Noise	e _n	To 1/2 Sample		200		μVrms
Distortion	THD	5MHz Butterworth with 1 MHz Input		-72		dB
Signal Swing	V _O			2.8		V _{PP}
Input Impedance	Z _{IN}			1.0		MΩ
Output Drive	I _O			300		μA
Output Impedance	Z _O			500		Ω
Output Capacitive Load	C _{OMAX}				20	pF
Clock to Corner		MSVHFS2/4 FO=2		12.5		
Clock to Corner		MSVHFS2/4 FO=0		6,25		
Clock to Corner		MSVHFS1 MSVHFS3		6.25		
Clock to Corner		MSVHFS5 MSVHFS6		12.5		
Center Frequency Range	F _O	FO=0 MSVHFS1,2,5	0.00001	5		MHz
Center Frequency Range	F _O	FO=2 MSVHFS3,4,6	0.00001	1		MHz
Ripple						
Elliptic Lowpass, Bandpass				0.2		dB
Stop Band Rejection						
Elliptic Lowpass				70		dB
Bessel Lowpass				60		dB





Selectable Very High Frequency LP/BP Filter Preliminary Data Sheet

Electrical Characteristics Continued

(VDD = +3.0V, T = 25 C) Sample rate is 2X clock to corner ratio

PARAMETER	SYMBOL	CONDITIONS	MIN	TYP	MAX	UNITS
40 dB Bandwidth						
Full Octave		Normalized F_C	0.3		3	
1/3 Octave		Normalized F_C	0.6		1.67	
1/6 Octave		Normalized F_C	0.76		1.32	
Bandpass Q						
Full Octave	Q			1.5		
1/3 Octave	Q			4.5		
1/6 Octave	Q			9		

MSVHFS1-6

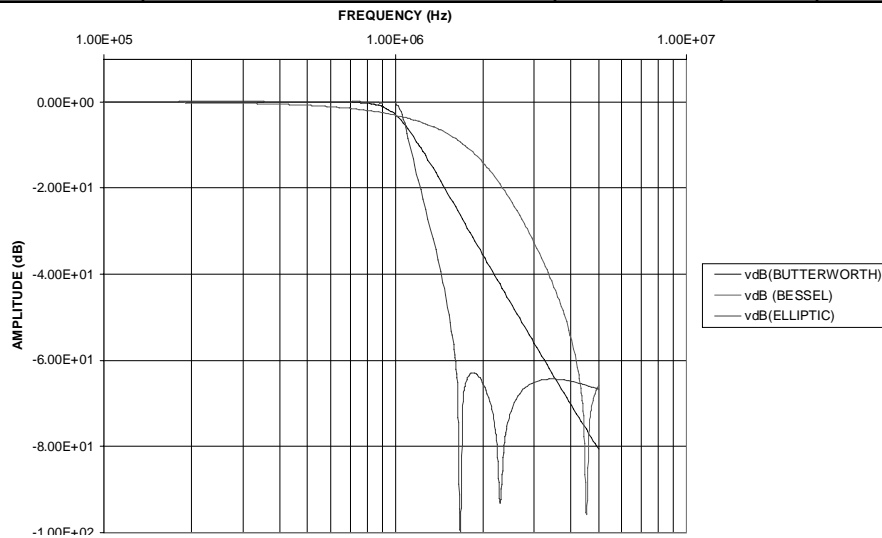


Figure 2 Lowpass Filter Responses

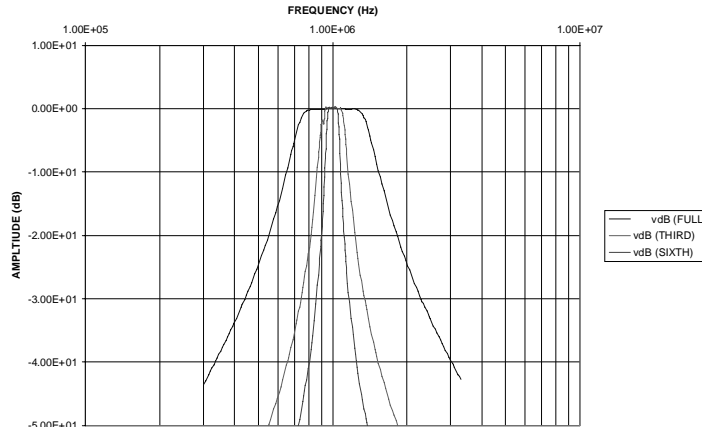


Figure 3 Bandpass Filter Responses





Selectable Very High Frequency LP/BP Filter Preliminary Data Sheet

Filter Selection

The filter type is selected using the two filter select pins, TYPE and FSEL, FSEL is a CMOS level pin that selects lowpass or bandpass response (lowpass = 0, bandpass = 2). TYPE is a tertiary control pin that selects the filter response. State 0 is VSS, state 1 is GND and state 2 is VDD.

TYPE	Lowpass	Bandpass
0	Butterworth	Full Octave
1	Bessel	Third Octave
2	Elliptic	Sixth Octave

Gain and Frequency Selection

The Gain select pin G is a tertiary control pin where state 0 is VSS, state 1 is GND level and state 2 is VDD.

G	Gain
0	0dB
1	10dB
2	20dB

The clock to corner select pin FO is a CMOS level pin where HIGH is clock to corner of 12.5 to 1 (25 to 1 for Bessel) and LOW is clock to corner of 6.25 to 1 (12.5 to 1 for Bessel). The sample rate ratio is twice the clock to corner ratio (double sampling).

M SVHFS1 -6



7/2011

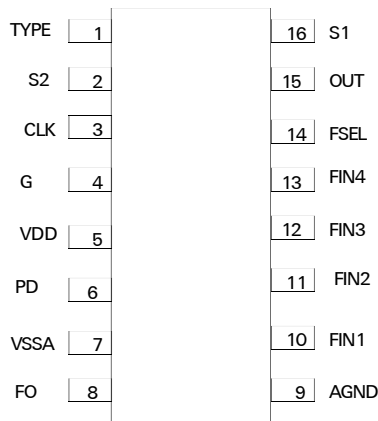


Selectable Very High Frequency LP/BP Filter Preliminary Data Sheet

Pin Description MSVHFS2/4 _____

- 1. TYPE Filter Response Select Pin.
- 2. S2 Input Multiplexor Select Pin
- 3. CLK Square Wave Clock Input
- 4. G Gain Select Pin
- 5. VDD Positive Power Supply, Typically +1.5 Volts for Split Supply, +3.0 Volts for Single Supply
- 6. PD Power Down Pin, CMOS level, Hi = Power Down
- 7. VSS Negative Power Supply, Typically -1.5 Volts for Split Supply, 0 Volts for Single Supply
- 8. FO Clock to Corner Select Pin
- 9. GND GND Pin, OV for Split Supplies +1.5 Volts Typical for Single Supply
- 10. FIN1 Filter Input 1
- 11. FIN2 Filter Input 2
- 12. FIN3 Filter Input 3
- 13. FIN4 Filter Input 4
- 14. FSEL Filter Select
2 = Bandpass; 0 = Lowpass
- 15. OUT Filter Output
- 16. S1 Input Multiplexor Select Pin

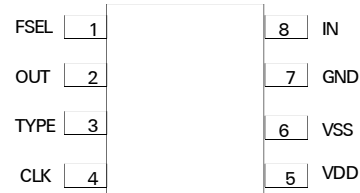
Pin Configuration MSVHFS2/4 _____



Pin Description MSVHFS1/3/5/6 _____

- 1.. FSEL Filter Select
- 2. OUT Filter Output
- 3 TYPE Filter Response Select Pin.
- 4. CLK Square Wave Clock Input
- 5. VDD Positive Power Supply, Typically +1.5 Volts for Split Supply, +3.0 Volts for Single Supply
- 6. VSS Negative Power Supply, Typically -1.5 Volts for Split Supply, 0 Volts for Single Supply
- 7. AGND GND Pin, OV for Split Supplies +1.5 Volts Typical for Single Supply
- 8. FIN Filter Input

Pin Configuration MSVHFS1/3/5/6 _____



Ordering Information _____

Part Number	Package	Operating Temperature
MSVHFS1N	SOIC-8	-40 ^o to +85 ^o C
MSVHFS2N	SOIC-16	-40 ^o to +85 ^o C
MSVHFS3N	SOIC-8	-40 ^o to +85 ^o C
MSVHFS4N	SOIC-16	-40 ^o to +85 ^o C
MSVHFS5N	SOIC-8	-40 ^o to +85 ^o C
MSVHFS6N	SOIC-8	-40 ^o to +85 ^o C

All packages are 150 mil wide (Narrow SOIC)

MSVHFS1-6





7/2011

Selectable Very High Frequency LP/BP Filter Preliminary Data Sheet

MSVHFS1-6

†††

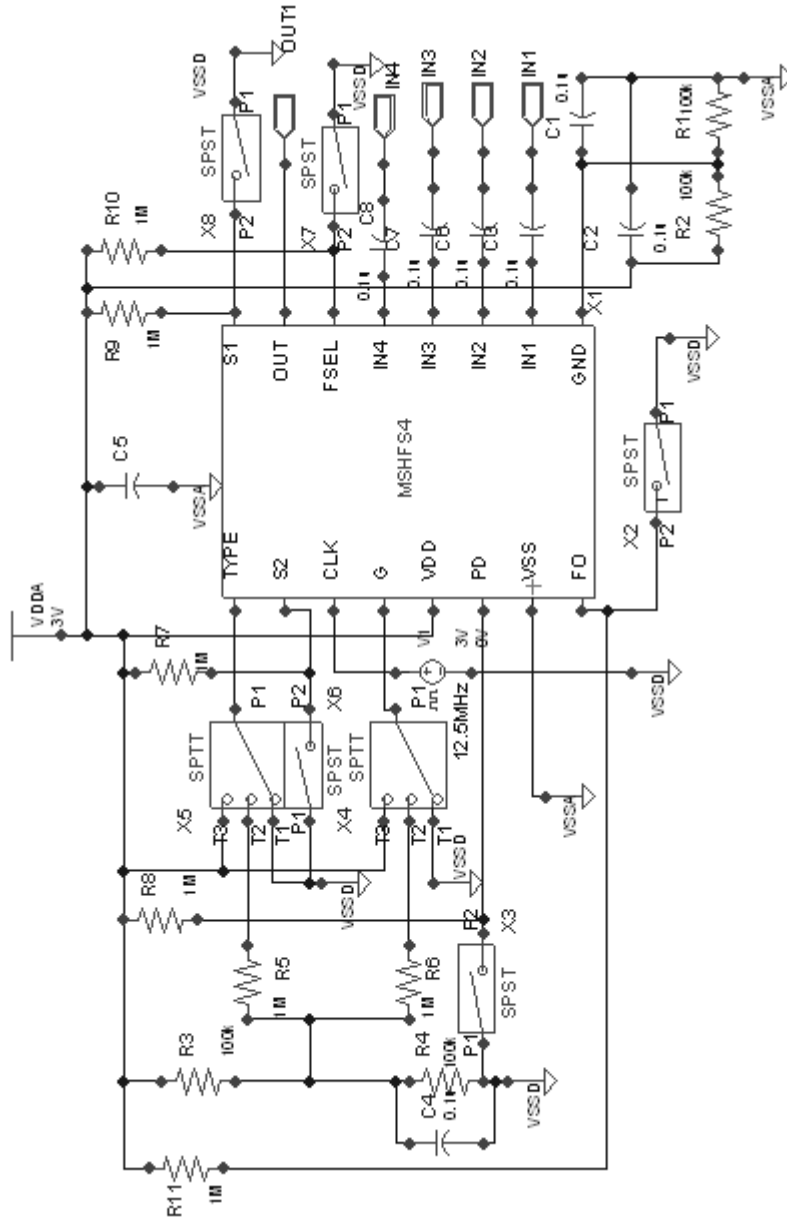


Figure 4 MSVHFS2/4 Typical Application

Mixed Signal Integration Corporation reserves the right to change any product or specification without notice at any time. Mixed Signal Integration products are not designed or authorized for use in life support systems. Mixed Signal Integration assumes no responsibility for errors in this document.



Web Site "www.mix-sig.com"

© 2011 Mixed Signal Integration 6



Selectable Very High Frequency LP/BP Filter Preliminary Data Sheet

MSVHFS1-6

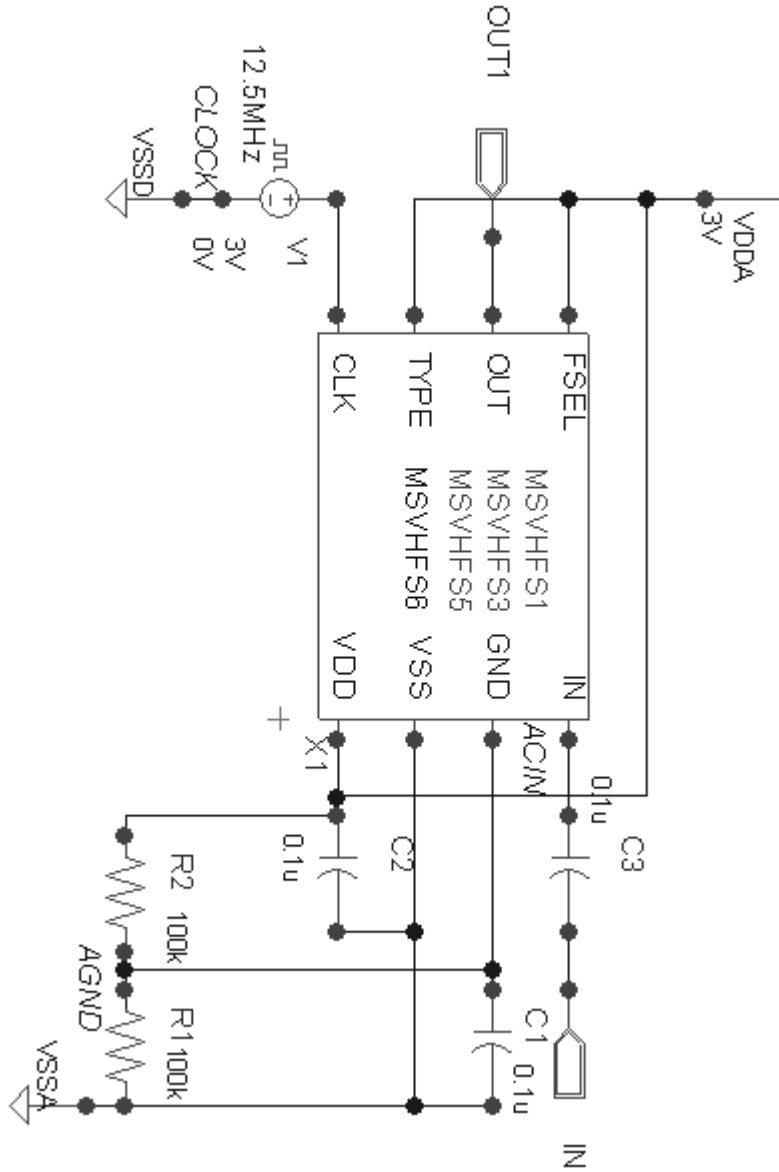


Figure 5 MSVHFS1/3/5/6 Typical Application

Mixed Signal Integration Corporation reserves the right to change any product or specification without notice at any time. Mixed Signal Integration products are not designed or authorized for use in life support systems. Mixed Signal Integration assumes no responsibility for errors in this document.



 STANDARD PRODUCTS

MSGEQ5A	Five Band Graphic Equalizer Display Filter
MSGEQ7	Seven Band Graphic Equalizer Display Filter
MSHFS1-6	Selectable High Frequency LP/BP Filter
MSFS1-6	Selectable Lowpass/Bandpass Filter
MSCAHF	Selectable High Frequency Active Lowpass/Bandpass Filter
MSU1F1-4, MSU2F1	Resistor Programmable Universal Active Filter
MSU1HF1-4, MSU2HF1	High Frequency Resistor Programmable Universal Active Filter
MSELP	Switched Capacitor Elliptic Lowpass Filter with Op Amps
MSNBLP	Switched Capacitor Butterworth Lowpass Filter
MSLE/B/C5L/M	Switched Capacitor General Purpose Lowpass Filter
MS2LFS	Dual Selectable Low Voltage Lowpass/Bandpass Filter
MSLFS	Selectable Low Voltage Lowpass/Bandpass Filter
MSHN1-6	Selectable High Pass/Notch Filter
MSRAAF	Resistor Programmable Active Audio Filter
MSRAHF	Resistor Programmable Active High Frequency Filter
MSDET	Tone Detector
MSEPAF	Electrically Programmable Active Filter
MSCBT	Communications Baseband Transceiver
MSVL14	14 MHz Video Lowpass Filter
MSSPSI	Smart Programmable Sensor Interface
MSCPSI	Computer Programmable Sensor Interface
MSLOSC	15 Hz to 64 kHz All Silicon Sine Source
MSTHDA	Total Harmonic Distortion Analyzer
MSSCSA	Single Chip Spectrum Analyzer
MSFIPS	FIP-140 Level 4+ Security Supervisor
MSLSA	Low Power Single Chip Spectrum Analyzer
MSRFIF	Radio Frequency Interface Front-End
MSVHFS1-6	Selectable Very High Frequency LP/BP Filter
MSMXVHF	High Frequency Mixer and Selectable VHF LP/BP Filter



Mixed Signal Integration
 2157F O'Toole Avenue
 San Jose, California 95131-1332
 Phone: (408)-434-6305
 Fax: (408)-434-6417

IF YOUR STATE OR COUNTRY IS NOT LISTED BELOW, PLEASE CONTACT MSI DIRECTLY

In Mississippi, Alabama, Georgia
 South Carolina, North Carolina, and
 Tennessee contact:

AdeptRep
 280 Metaire Lane
 Madison, Alabama 35758
 Telephone: 256-772-1922
 Facsimile: 256-325-2841
 Toll Free: 1-888-419-2563
 Web site: www.adeptrep.com

In northern Illinois and southeastern
 Wisconsin contact:

M&S Sales Inc.
 187 Old Sutton Road
 Barrington Hills, IL 60010
 Telephone: 847-426-8155
 Facsimile: 847-426-8120

In Arizona, Utah, Colorado, Montana,
 Wyoming, Idaho, New Mexico and
 southern Nevada contact:

Nelco TWO Company
 8617 Gold Peak Dr., Unit A
 Highlands Ranch, CO 80130
 Telephone: 303-792-0657

In Hong Kong and the People's
 Republic of China contact:

Alphatron
 282, King's Rd.,
 13th Floor, Flat C2,
 North Point Centre, North Point
 Hong Kong
 H.K. Telephone: 852-9453-2305
 China Telephone: 86 1392 3826 400
 Facsimile: 852-22491-1365 or
 852-2900-3616

In Korea contact:

H. B. Corp.
 7F, Hyobong Building 1364-1,
 Seocho-Dong, Seocho-Gu,
 Seoul, Korea 137-070
 Telephone: (02)3472-3450
 Facsimile: (02)3472-3458
 Website: www.hbcorp.co.kr

In Singapore, Indonesia and
 Malaysia contact:

EXER Technologies (S) PTE LTD
 45 Kaki Bukit Industrial Terrace
 Singapore 416125
 Telephone: (65)-6-747-9669
 Facsimile: (65)-6-749-9669

In Israel contact:

Phoenix Technologies Ltd.
 3 Gavish St.
 Kfar-Saba, 44424
 Israel
 Telephone: 09-764-4800
 Facsimile: 09-764-4801
 Website: www.phnx.co.il

In Taiwan contact

Maxtek Technology Co., Ltd.
 5F, No. 13-20, Sec. 6, Min Chian E Road, Nei Hu
 Taipei, 114 R.O.C.
 Telephone: 886-2-2794-6060
 Facsimile: 886-2-2879-8922

In the United Kingdom contact:

Broadband Technology 2000 Ltd
 Victory House
 Marino Way
 Finchampstead
 Berkshire
 RG40 4RF
 U. K.
 Telephone: +44 (0) 118 932 4600
 Facsimile: +44 (0) 118 973 0571
 E-mail: sales@bt2000.co.uk
 Web site: www.bt2000.co.uk

In Germany, Austria and Switzerland

ED-V GmbH
 Behringerstrasse 13
 D 63814 Mainaschaff
 Germany
 Telephone: 49 6021 79710
 Facsimile: 49 6021 797144
 Web site: www.ed-v.de

Catch our web site at "<http://www.mix-sig.com>"

Send us e-mail at "info@mix-sig.com"

