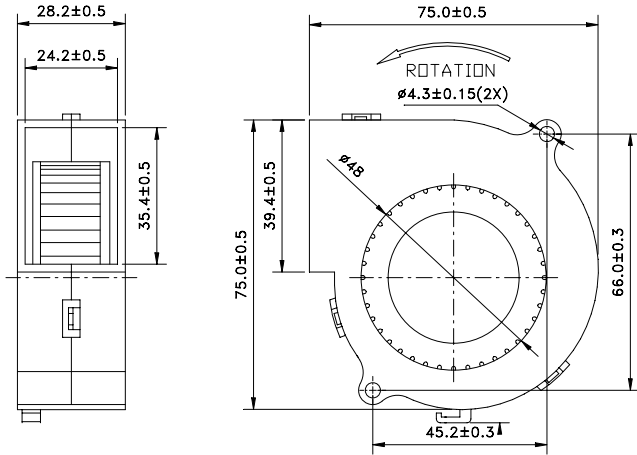
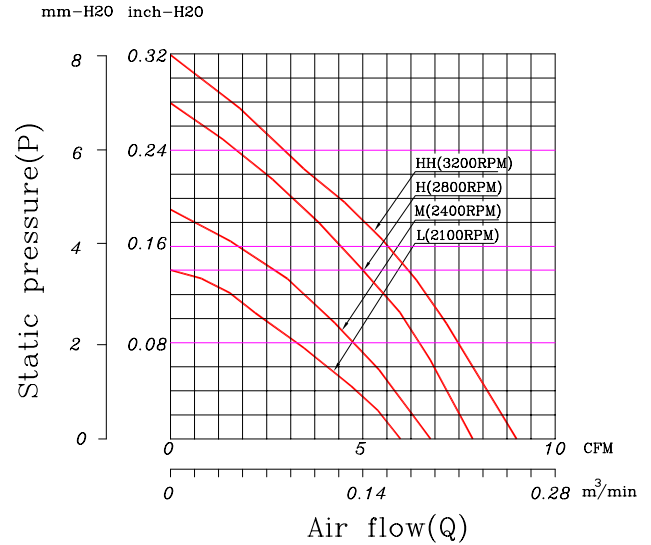



**75 x 75 x 28 mm Blowers**
**12/24VDC**
**Dimensions**

**Performance Curves**


Air exhaust radial, through housing port. Rotational direction CW looking at rotor.

| Brushless DC Motor       | Bearing Type      |
|--------------------------|-------------------|
| Housing: PBT 94V0        | ● CeraDyna A      |
| Impeller: PBT 94V0       | ○ CeraDyna C      |
| Weight: 66 g             | ● 2-Ball          |
| Impedance protected      | ● 1-Ball-1-Sleeve |
| Lead wire UL 1095 AWG 28 | ● Sleeve          |

| Function options      |                      |
|-----------------------|----------------------|
| ● Frequency Generator | ● Auto Restart       |
| ○ Temperature Control | ● Rotation Detection |
| ○ PWM Control         |                      |

\* Safety Approval: CE, UL, TUV

\* All fans are with electronic protection against reverse polarity. The fan only operates when the polarity is correct.

**Specifications**

| Model         | Rated Voltage (VDC) | Rated Current (Amp) | Input Power (Watts) | Nominal Speed (RPM) | Airflow (CFM) | Static Pressure (inch-H <sub>2</sub> O) | Noise Level (dBA) |
|---------------|---------------------|---------------------|---------------------|---------------------|---------------|---|-------------------|
| FW1275-A00XXE | 12                  | 0.28                | 3.36                | 3200                | 9.00          | 0.31                                    | 42.00             |
| FW1275-A10XXE | 12                  | 0.20                | 2.40                | 2800                | 7.86          | 0.27                                    | 36.50             |
| FW1275-A20XXE | 12                  | 0.12                | 1.44                | 2400                | 6.76          | 0.19                                    | 31.50             |
| FW1275-A30XXE | 12                  | 0.11                | 1.32                | 2100                | 5.98          | 0.14                                    | 27.00             |
| FW2475-A00XXE | 24                  | 0.20                | 4.80                | 3200                | 9.00          | 0.31                                    | 42.00             |
| FW2475-A10XXE | 24                  | 0.14                | 3.36                | 2800                | 7.86          | 0.27                                    | 36.50             |
| FW2475-A20XXE | 24                  | 0.10                | 2.40                | 2400                | 6.76          | 0.19                                    | 31.50             |
| FW2475-A30XXE | 24                  | 0.08                | 1.92                | 2100                | 5.98          | 0.14                                    | 27.00             |

\* All readings are typical value at rated voltage.

 \* Please refer to **PART NUMBER SYSTEM** for bearing type and part number "XX" designation.

\* Specifications are subject to change without prior notice.

\* Please specify revision number when ordering.