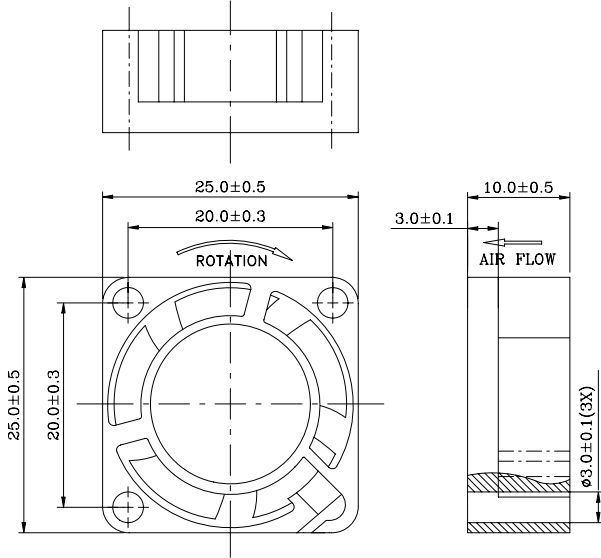




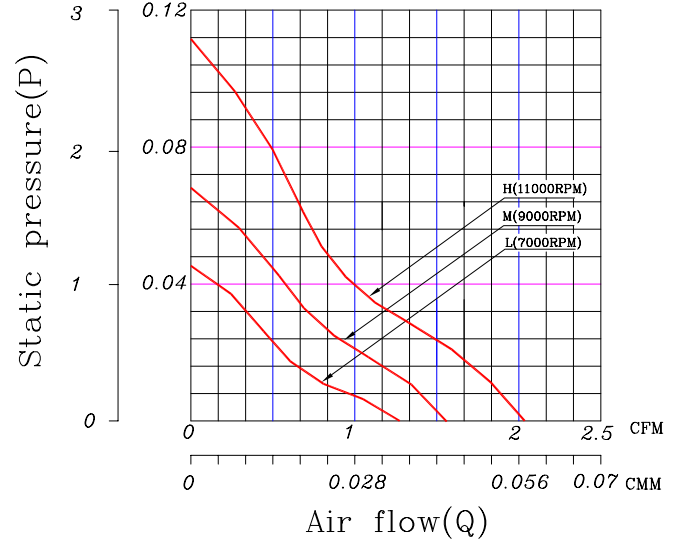
## 25 x 25 x 10 mm Series

### Dimensions



### Performance Curves

mm-H<sub>2</sub>O    inch-H<sub>2</sub>O



Air exhaust over struts. Rotational direction CCW looking at rotor.

Brushless DC Motor	Bearing Type
Housing: PBT 94V0	● CeraDyna A
Impeller: PBT 94V0	● CeraDyna C
Weight: 6 g	○ 2-Ball
Impedance protected	○ 1-Ball-1-Sleeve
Lead wire UL 1095 AWG 28	● Sleeve

Function options	
● Frequency Generator	● Auto Restart
○ Temperature Control	○ Rotation Detection
○ PWM Control	

\* Safety Approval: CE, UL, TUV

\* All fans are with electronic protection against reverse polarity. The fan only operates when the polarity is correct.

### Specifications

Model	Rated Voltage (VDC)	Rated Current (Amp)	Input Power (Watts)	Nominal Speed (RPM)	Airflow (CFM)	Static Pressure (inch-H <sub>2</sub> O)	Noise Level (dBA)
FD0525-A10XXA	5	0.13	0.65	11000	2.01	0.11	25.00
FD0525-A20XXA	5	0.11	0.55	9000	1.56	0.07	23.50
FD0525-A30XXA	5	0.09	0.45	7000	1.27	0.05	22.50
FD1225-A10XXA	12	0.06	0.72	11000	2.01	0.11	25.00
FD1225-A20XXA	12	0.05	0.60	9000	1.56	0.07	23.50
FD1225-A30XXA	12	0.05	0.60	7000	1.27	0.05	22.50

\* All readings are typical value at rated voltage.

\* Please refer to **PART NUMBER SYSTEM** for bearing type and part number "XX" designation.

\* Specifications are subject to change without prior notice.

\* Please specify revision number when ordering.