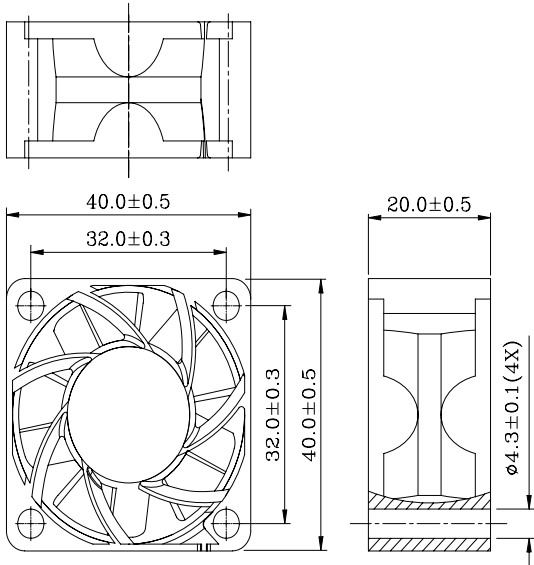
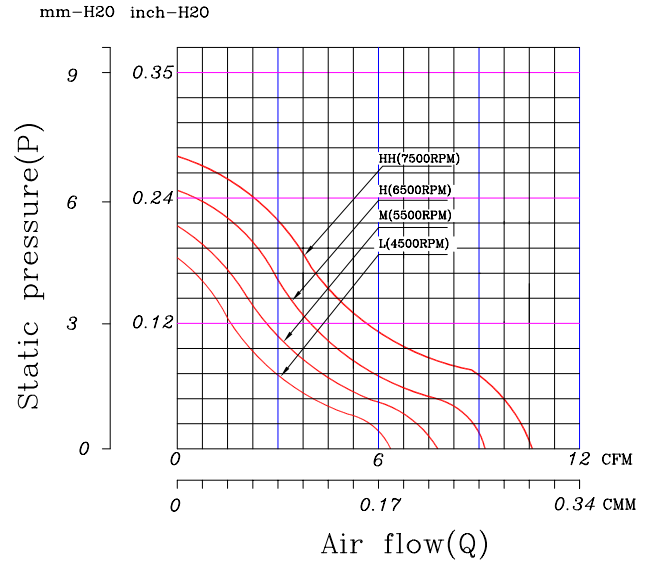



**40 x 40 x 20 mm Series**
**Rev II - 5 VDC**
**Dimensions**

**Performance Curves**


Air exhaust over struts. Rotational direction CCW looking at rotor

| Brushless DC Motor       | Bearing Type      |
|--------------------------|-------------------|
| Housing: PBT 94V0        | ● CeraDyna A      |
| Impeller: PBT 94V0       | ● CeraDyna C      |
| Weight: 25 g             | ● 2-Ball          |
| Impedance protected      | ● 1-Ball-1-Sleeve |
| Lead wire UL 1095 AWG 28 | ● Sleeve          |

| Function options      |                      |
|-----------------------|----------------------|
| ● Frequency Generator | ● Auto Restart       |
| ○ Temperature Control | ● Rotation Detection |
| ○ PWM Control         |                      |

\* Safety Approval: CE, UL, TUV

\* All fans are with electronic protection against reverse polarity. The fan only operates when the polarity is correct.

**Specifications**

| Model         | Rated Voltage (VDC) | Rated Current (Amp) | Input Power (Watts) | Nominal Speed (RPM) | Airflow (CFM) | Static Pressure (inch-H <sub>2</sub> O) | Noise Level (dBA) |
|---------------|---------------------|---------------------|---------------------|---------------------|---------------|---|-------------------|
| FD0540-A01XXD | 5                   | 0.33                | 1.65                | 7500                | 10.59         | 0.28                                    | 26.00             |
| FD0540-A11XXD | 5                   | 0.24                | 1.20                | 6500                | 9.18          | 0.25                                    | 24.00             |
| FD0540-A21XXD | 5                   | 0.20                | 1.00                | 5500                | 7.77          | 0.21                                    | 22.00             |
| FD0540-A31XXD | 5                   | 0.12                | 0.60                | 4500                | 6.36          | 0.18                                    | 20.00             |
|               |                     |                     |                     |                     |               |   |                   |
|               |                     |                     |                     |                     |               |   |                   |
|               |                     |                     |                     |                     |               |   |                   |

\* All readings are typical value at rated voltage.

 \* Please refer to **PART NUMBER SYSTEM** for bearing type and part number "XX" designation.

\* Specifications are subject to change without prior notice.

\* Please specify revision number when ordering.