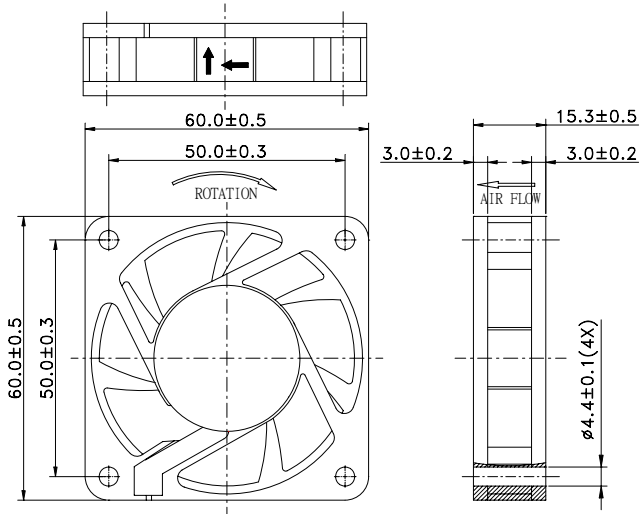
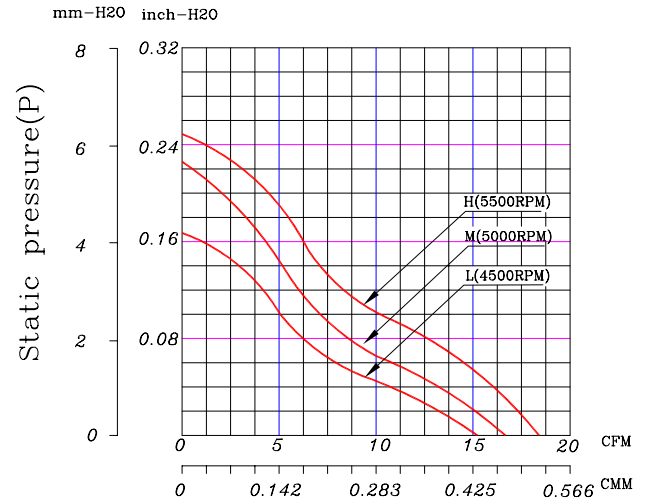



60 x 60 x 15 mm Series
Rev II -12/ 24VDC
Dimensions

Performance Curves


Air exhaust over struts. Rotational direction CCW looking at rotor

| Brushless DC Motor | Bearing Type |
|--------------------------|-------------------|
| Housing: PBT 94V0 | ● CeraDyna A |
| Impeller: PBT 94V0 | ● CeraDyna C |
| Weight: 40 g | ● 2-Ball |
| Impedance protected | ● 1-Ball-1-Sleeve |
| Lead wire UL 1095 AWG 28 | ● Sleeve |

| Function options | |
|-----------------------|----------------------|
| ● Frequency Generator | ● Auto Restart |
| ○ Temperature Control | ● Rotation Detection |
| ○ PWM Control | |

* Safety Approval: CE, UL, TUV

* All fans are with electronic protection against reverse polarity. The fan only operates when the polarity is correct.

Specifications

| Model | Rated Voltage (VDC) | Rated Current (Amp) | Input Power (Watts) | Nominal Speed (RPM) | Airflow (CFM) | Static Pressure (inch-H ₂ O) | Noise Level (dBA) |
|---------------|---------------------|---------------------|---------------------|---------------------|---------------|---|-------------------|
| FD1260-A11XXC | 12 | 0.18 | 2.16 | 5500 | 18.40 | 0.24 | 39.00 |
| FD1260-A21XXC | 12 | 0.15 | 1.80 | 5000 | 16.74 | 0.22 | 36.50 |
| FD1260-A31XXC | 12 | 0.12 | 1.44 | 4500 | 15.22 | 0.16 | 34.00 |
| FD2460-A11XXC | 24 | 0.11 | 2.64 | 5500 | 18.40 | 0.24 | 39.00 |
| FD2460-A21XXC | 24 | 0.10 | 2.40 | 5000 | 16.74 | 0.22 | 36.50 |
| FD2460-A31XXC | 24 | 0.09 | 2.16 | 4500 | 15.22 | 0.16 | 34.00 |

* All readings are typical value at rated voltage.

 * Please refer to **PART NUMBER SYSTEM** for bearing type and part number "XX" designation.

* Specifications are subject to change without prior notice.

* Please specify revision number when ordering.