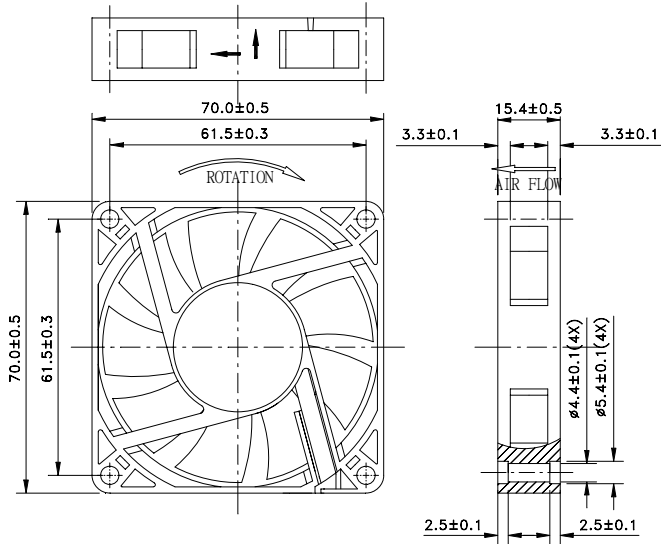




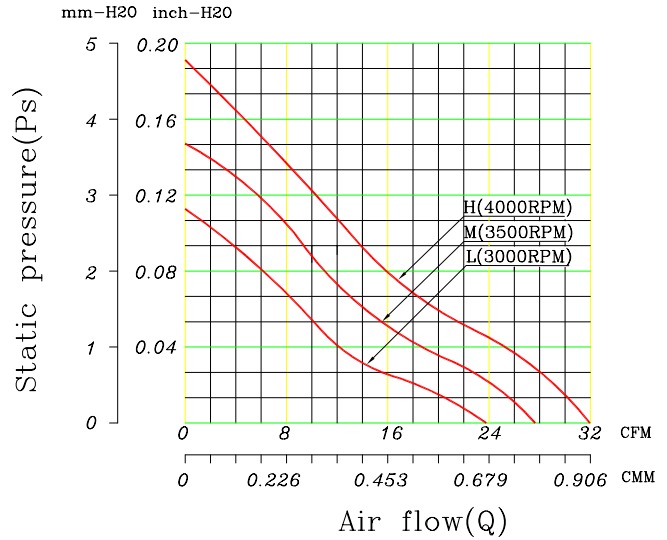
**70 x 70 x 15 mm Series**

**Rev I 12/ 24V**

**Dimensions**



**Performance Curves**



Air exhaust over struts. Rotational direction CCW looking at rotor

Brushless DC Motor	Bearing Type
Housing: PBT 94V0	● CeraDyna A
Impeller: PBT 94V0	● CeraDyna C
Weight: 47 g	● 2-Ball
Impedance protected	● 1-Ball-1-Sleeve
Lead wire UL 1095 AWG 28	● Sleeve

Function options	
● Frequency Generator	● Auto Restart
○ Temperature Control	● Rotation Detection
○ PWM Control	

\* Safety Approval: CE, UL, TUV

\*All fans are with electronic protection against reverse polarity. The fan only operates when the polarity is correct.

**Specifications**

Model	Rated Voltage (VDC)	Rated Current (Amp)	Input Power (Watts)	Nominal Speed (RPM)	Airflow (CFM)	Static Pressure (inch-H <sub>2</sub> O)	Noise Level (dBA)
FD1270-A10XXC	12	0.24	2.88	4000	31.96	0.19	37.00
FD1270-A20XXC	12	0.17	2.04	3500	27.64	0.14	34.00
FD1270-A30XXC	12	0.11	1.32	3000	23.77	0.11	29.50
FD2470-A10XXC	24	0.15	3.60	4000	31.96	0.19	37.00
FD2470-A20XXC	24	0.10	2.40	3500	27.64	0.14	34.00
FD2470-A30XXC	24	0.07	1.68	3000	23.77	0.11	29.50

\*All readings are typical value at rated voltage.

\*Please refer to **PART NUMBER SYSTEM** for bearing type and part number "XX" designation.

\*Specifications are subject to change without prior notice.

\*Please specify revision number when ordering.