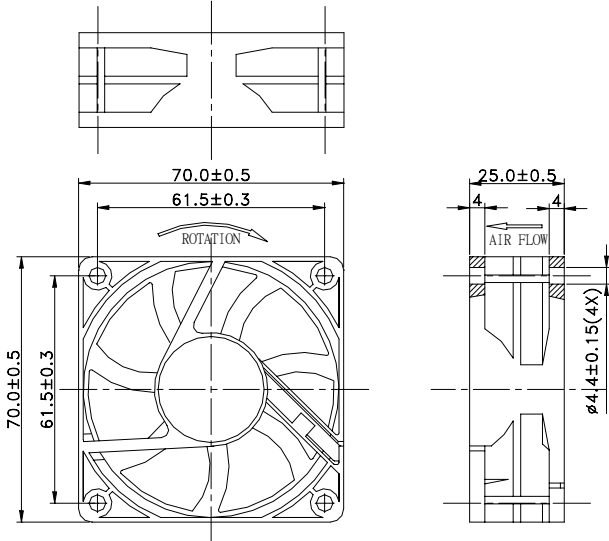
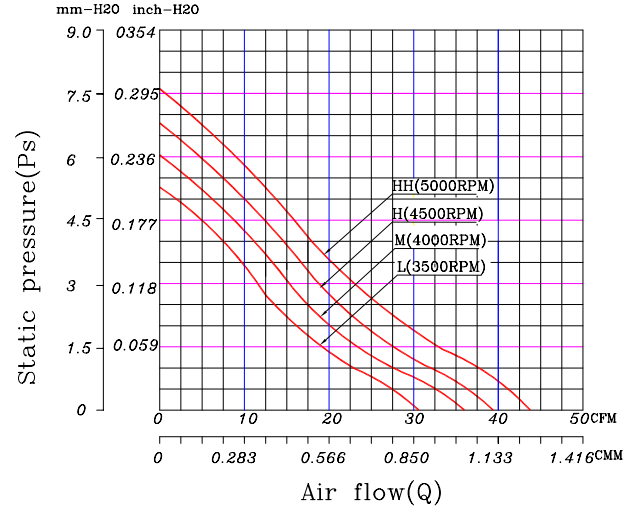



70 x 70 x 25 mm Series
12/24VDC
Dimensions

Performance Curves


Air exhaust over struts. Rotational direction CCW looking at rotor

Brushless DC Motor	Bearing Type
Housing: PBT 94V0	● CeraDyna A
Impeller: PBT 94V0	○ CeraDyna C
Weight: 54 g	● 2-Ball
Impedance protected	● 1-Ball-1-Sleeve
Lead wire UL 1095 AWG 28	● Sleeve

Function options	
● Frequency Generator	● Auto Restart
● Temperature Control	● Rotation Detection
○ PWM Control	

* Safety Approval: CE, UL, TUV

* All fans are with electronic protection against reverse polarity. The fan only operates when the polarity is correct.

Specifications

Model	Rated Voltage (VDC)	Rated Current (Amp)	Input Power (Watts)	Nominal Speed (RPM)	Airflow (CFM)	Static Pressure (inch-H ₂ O)	Noise Level (dBA)
FD1270-A00XXE	12	0.35	4.20	5000	43.78	0.30	41.00
FD1270-A10XXE	12	0.25	3.00	4500	39.40	0.27	39.00
FD1270-A20XXE	12	0.21	2.52	4000	36.00	0.24	36.00
FD1270-A30XXE	12	0.16	1.92	3500	30.60	0.21	33.00
FD2470-A00XXE	24	0.21	5.04	5000	43.78	0.30	41.00
FD2470-A10XXE	24	0.17	4.08	4500	39.40	0.27	39.00
FD2470-A20XXE	24	0.14	3.36	4000	36.00	0.24	36.00
FD2470-A30XXE	24	0.10	2.40	3500	30.60	0.21	33.00

* All readings are typical value at rated voltage.

 * Please refer to **PART NUMBER SYSTEM** for bearing type and part number "XX" designation.

* Specifications are subject to change without prior notice.

* Please specify revision number when ordering.