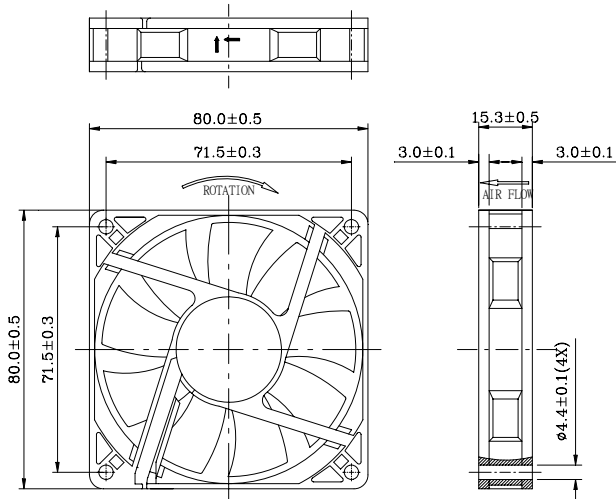
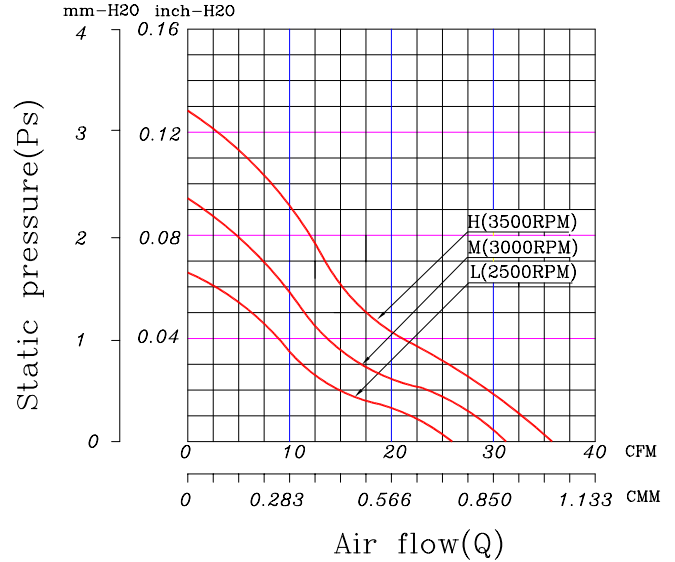



80 x 80 x 15 mm Series
12/ 24VDC
Dimensions

Performance Curves


Air exhaust over struts. Rotational direction CCW looking at rotor

| Brushless DC Motor | Bearing Type |
|--------------------------|-------------------|
| Housing: PBT 94V0 | ● CeraDyna A |
| Impeller: PBT 94V0 | ● CeraDyna C |
| Weight: 50 g | ● 2-Ball |
| Impedance protected | ● 1-Ball-1-Sleeve |
| Lead wire UL 1095 AWG 28 | ● Sleeve |

| Function options | |
|-----------------------|----------------------|
| ● Frequency Generator | ● Auto Restart |
| ○ Temperature Control | ● Rotation Detection |
| ○ PWM Control | |

* Safety Approval: CE, UL, TUV

* All fans are with electronic protection against reverse polarity. The fan only operates when the polarity is correct.

Specifications

| Model | Rated Voltage (VDC) | Rated Current (Amp) | Input Power (Watts) | Nominal Speed (RPM) | Airflow (CFM) | Static Pressure (inch-H ₂ O) | Noise Level (dBA) |
|---------------|---------------------|---------------------|---------------------|---------------------|---------------|---|-------------------|
| FD1280-A10XXC | 12 | 0.21 | 2.52 | 3500 | 35.77 | 0.13 | 35.50 |
| FD1280-A20XXC | 12 | 0.17 | 2.04 | 3000 | 31.25 | 0.09 | 32.00 |
| FD1280-A30XXC | 12 | 0.11 | 1.32 | 2500 | 25.96 | 0.06 | 26.50 |
| FD2480-A10XXC | 24 | 0.16 | 3.84 | 3500 | 35.77 | 0.13 | 35.50 |
| FD2480-A20XXC | 24 | 0.10 | 2.40 | 3000 | 31.25 | 0.09 | 32.00 |
| FD2480-A30XXC | 24 | 0.09 | 2.16 | 2500 | 25.96 | 0.06 | 26.50 |
| | | | | | | | |
| | | | | | | | |

* All readings are typical value at rated voltage.

 * Please refer to **PART NUMBER SYSTEM** for bearing type and part number "XX" designation.

* Specifications are subject to change without prior notice.

* Please specify revision number when ordering.