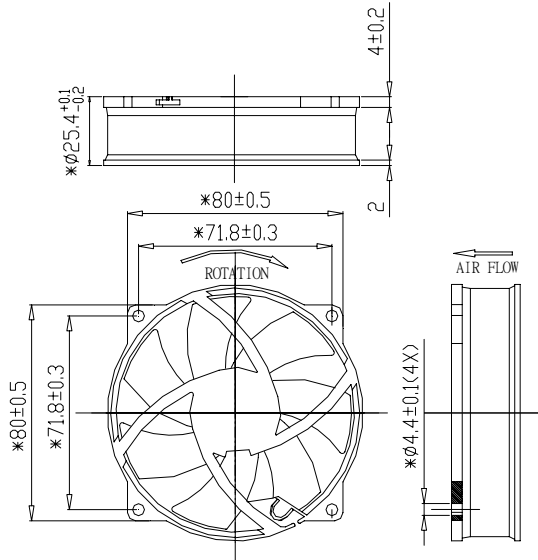
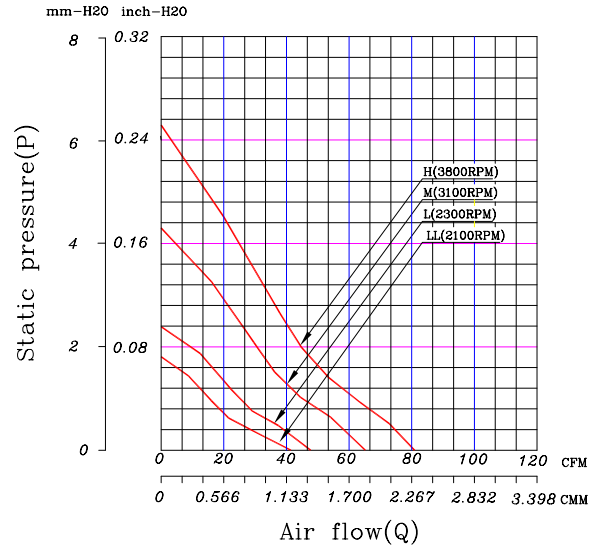



92 x 92 x 25 mm Series
Rev III
Dimensions

Performance Curves


Air exhaust over struts. Rotational direction CCW looking at rotor

Brushless DC Motor	Bearing Type
Housing: PBT 94V0	● CeraDyna A
Impeller: PBT 94V0	● CeraDyna C
Weight: 80 g	● 2-Ball
Impedance protected	● 1-Ball-1-Sleeve
Lead wire UL 1095 AWG 28	● Sleeve

Function options	
● Frequency Generator	● Auto Restart
● Temperature Control	● Rotation Detection
● PWM Control	

* Safety Approval: CE, UL, TUV

* All fans are with electronic protection against reverse polarity. The fan only operates when the polarity is correct.

Specifications

Model	Rated Voltage (VDC)	Rated Current (Amp)	Input Power (Watts)	Nominal Speed (RPM)	Airflow (CFM)	Static Pressure (inch-H ₂ O)	Noise Level (dBA)
FD1290-AP28XE	12	0.55	6.60	750~3800	80.90	0.24	46.90
FD1290-A12XXE	12	0.55	6.60	3800	80.90	0.24	46.90
FD1290-A22XXE	12	0.37	4.44	3100	65.13	0.17	41.50
FD1290-A32XXE	12	0.19	2.28	2300	47.71	0.09	33.10
FD1290-A42XXE	12	0.18	2.16	2100	41.40	0.07	29.90

* All readings are typical value at rated voltage.

 * Please refer to **PART NUMBER SYSTEM** for bearing type and part number "XX" designation.

* Specifications are subject to change without prior notice.

* Please specify revision number when ordering.