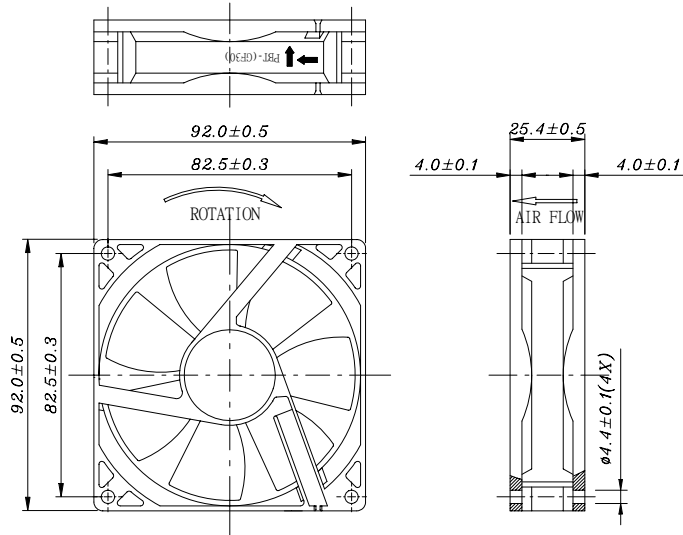




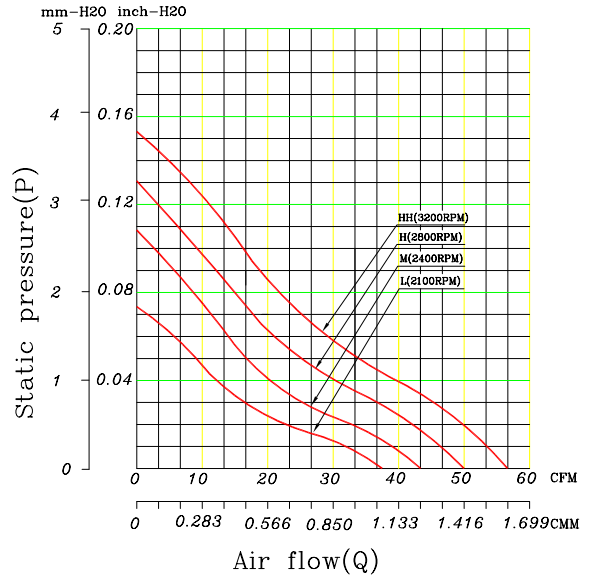
**92 x 92 x 25 mm Series**

**Rev I**

**Dimensions**



**Performance Curves**



Air exhaust over struts. Rotational direction CCW looking at rotor

Brushless DC Motor	Bearing Type
Housing: PBT 94V0	● CeraDyna A
Impeller: PBT 94V0	● CeraDyna C
Weight: 83 g	● 2-Ball
Impedance protected	● 1-Ball-1-Sleeve
Lead wire UL 1095 AWG 28	● Sleeve

Function options	
● Frequency Generator	● Auto Restart
● Temperature Control	● Rotation Detection
○ PWM Control	

\* Safety Approval: CE, UL, TUV

\* All fans are with electronic protection against reverse polarity. The fan only operates when the polarity is correct.

**Specifications**

Model	Rated Voltage (VDC)	Rated Current (Amp)	Input Power (Watts)	Nominal Speed (RPM)	Airflow (CFM)	Static Pressure (inch-H <sub>2</sub> O)	Noise Level (dBA)
FD1290-A00XXE	12	0.29	3.48	3200	56.61	0.15	37.00
FD1290-A10XXE	12	0.25	3.00	2800	49.97	0.13	34.50
FD1290-A20XXE	12	0.18	2.16	2400	43.33	0.11	31.00
FD1290-A30XXE	12	0.13	1.56	2100	37.47	0.07	28.00
FD2490-A00XXE	24	0.32	7.68	3200	56.61	0.15	37.00
FD2490-A10XXE	24	0.22	5.28	2800	49.97	0.13	34.50
FD2490-A20XXE	24	0.14	3.36	2400	43.33	0.11	31.00
FD2490-A30XXE	24	0.10	2.40	2100	37.47	0.07	28.00

\* All readings are typical value at rated voltage.

\* Please refer to **PART NUMBER SYSTEM** for bearing type and part number "XX" designation.

\* Specifications are subject to change without prior notice.

\* Please specify revision number when ordering.