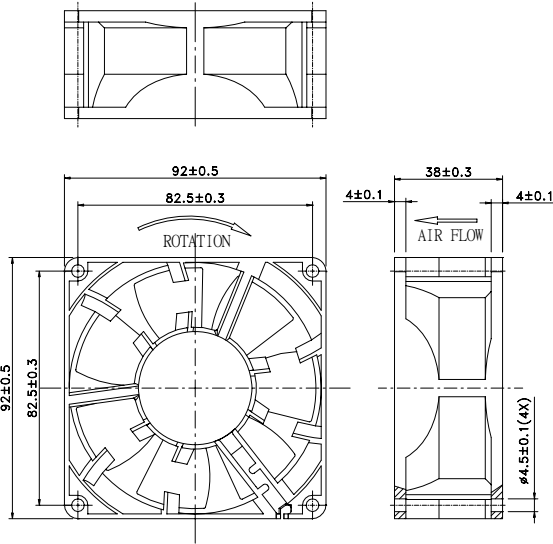
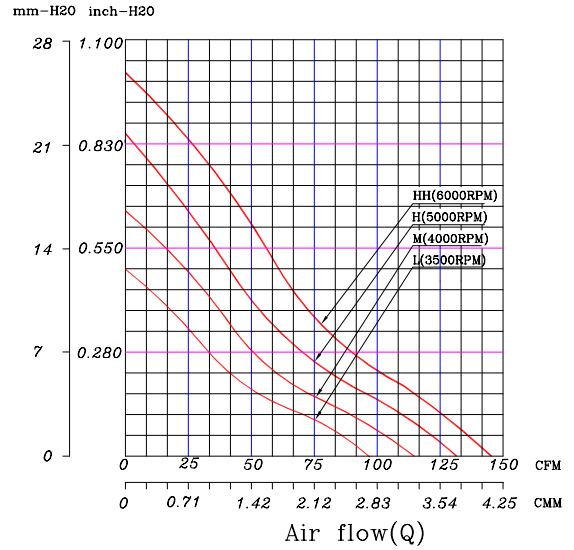



**92 x 92 x 38 mm Series**
**Rev II-12VDC**
**Dimensions**

**Performance Curves**


Air exhaust over struts. Rotational direction CCW looking at rotor

Brushless DC Motor	Bearing Type	Function options	
Housing: PBT 94V0	<input type="radio"/> CeraDyna A	<input checked="" type="radio"/> Frequency Generator	<input checked="" type="radio"/> Auto Restart
Impeller: PBT 94V0	<input type="radio"/> CeraDyna C	<input checked="" type="radio"/> Temperature Control	<input checked="" type="radio"/> Rotation Detection
Weight: 184 g	<input checked="" type="radio"/> 2-Ball	<input checked="" type="radio"/> PWM Control	
Impedance protected	<input type="radio"/> 1-Ball-1-Sleeve		
Lead wire UL 1095 AWG 28	<input type="radio"/> Sleeve		

\* Safety Approval: CE, UL, TUV

\*All fans are with electronic protection against reverse polarity. The fan only operates when the polarity is correct.

**Specifications**

Model	Rated Voltage (VDC)	Rated Current (Amp)	Input Power (Watts)	Nominal Speed (RPM)	Airflow (CFM)	Static Pressure (inch-H <sub>2</sub> O)	Noise Level (dBA)
FD1290-AP18XG	12	2.45	29.40	1300-6000	145.39	1.01	60.60
FD1290-A11XXG	12	2.45	29.40	6000	145.39	1.01	60.60
FD1290-A21XXG	12	1.75	21.00	5500	131.58	0.98	57.60
FD1290-A31XXG	12	1.25	15.00	4800	114.74	0.65	54.90
FD1290-A31XXG	12	0.75	9.00	4200	97.14	0.49	48.30

\*All readings are typical value at rated voltage.

 \*Please refer to **PART NUMBER SYSTEM** for bearing type and part number "XX" designation.

\*Specifications are subject to change without prior notice.

\*Please specify revision number when ordering.