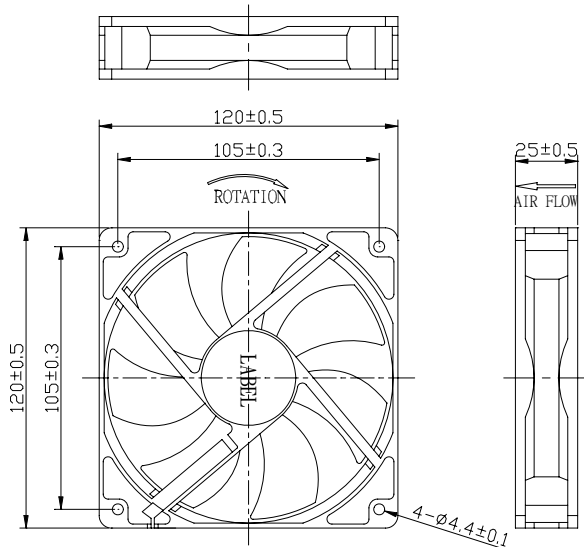
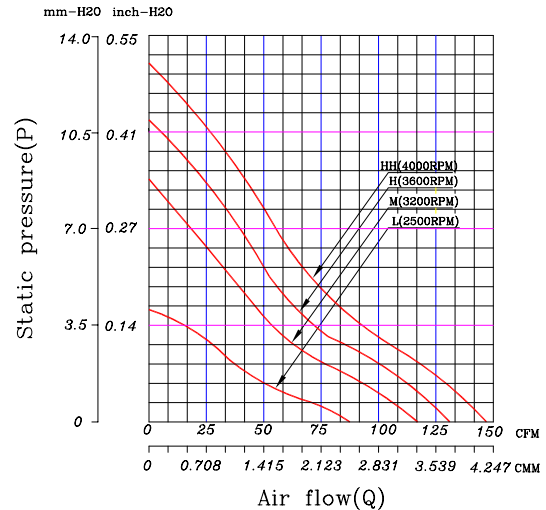



120 x 120 x 25 mm Series
Rev III
Dimensions

Performance Curves


| Brushless DC Motor | Bearing Type |
|--------------------------|-------------------|
| Housing: PBT 94V0 | ● CeraDyna A |
| Impeller: PBT 94V0 | ○ CeraDyna C |
| Weight: 120 g | ● 2-Ball |
| Impedance protected | ○ 1-Ball-1-Sleeve |
| Lead wire UL 1095 AWG 28 | ● Sleeve |

| Function options | |
|-----------------------|----------------------|
| ● Frequency Generator | ● Auto Restart |
| ● Temperature Control | ● Rotation Detection |
| ● PWM Control | |

* Safety Approval: CE, UL, TUV

* All fans are with electronic protection against reverse polarity. The fan only operates when the polarity is correct.

Specifications

| Model | Rated Voltage (VDC) | Rated Current (Amp) | Input Power (Watts) | Nominal Speed (RPM) | Static Airflow (CFM) | Static Pressure (inch-H ₂ O) | Noise Level (dBA) |
|---------------|---------------------|---------------------|---------------------|---------------------|----------------------|---|-------------------|
| FD1212-AP28XE | 12 | 0.85 | 10.20 | 900~4000 | 146.97 | 0.51 | 52.2 |
| FD1212-A02XXE | 12 | 0.85 | 10.20 | 4000 | 146.97 | 0.51 | 52.2 |
| FD1212-A12XXE | 12 | 0.67 | 8.04 | 3600 | 131.03 | 0.43 | 49.9 |
| FD1212-A22XXE | 12 | 0.45 | 5.40 | 3200 | 117.05 | 0.35 | 48.3 |
| FD1212-A32XXE | 12 | 0.29 | 3.48 | 2500 | 87.80 | 0.14 | 42.0 |
| FD2412-AP28XE | 24 | 0.47 | 11.28 | 900~4000 | 146.97 | 0.51 | 52.2 |
| FD2412-A02XXE | 24 | 0.47 | 11.28 | 4000 | 146.97 | 0.51 | 52.2 |
| FD2412-A12XXE | 24 | 0.33 | 7.92 | 3600 | 131.03 | 0.43 | 49.9 |
| FD2412-A22XXE | 24 | 0.27 | 6.48 | 3200 | 117.05 | 0.35 | 48.3 |
| FD2412-A32XXE | 24 | 0.17 | 4.08 | 2500 | 87.80 | 0.14 | 42.0 |

* All readings are typical value at rated voltage.

 * Please refer to **PART NUMBER SYSTEM** for bearing type and part number "XX" designation.

* Specifications are subject to change without prior notice.

* Please specify revision number when ordering.