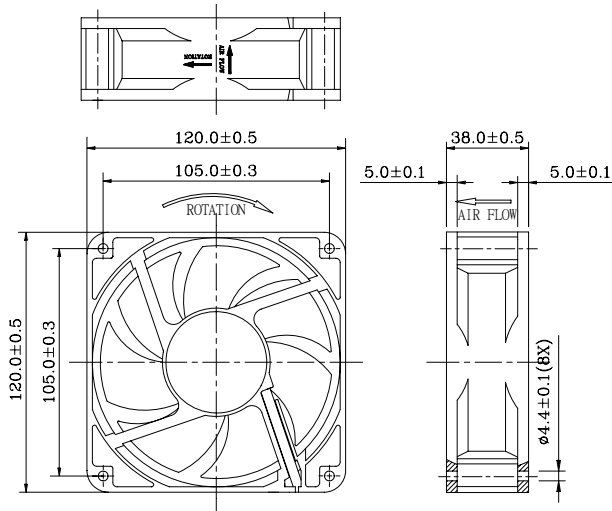




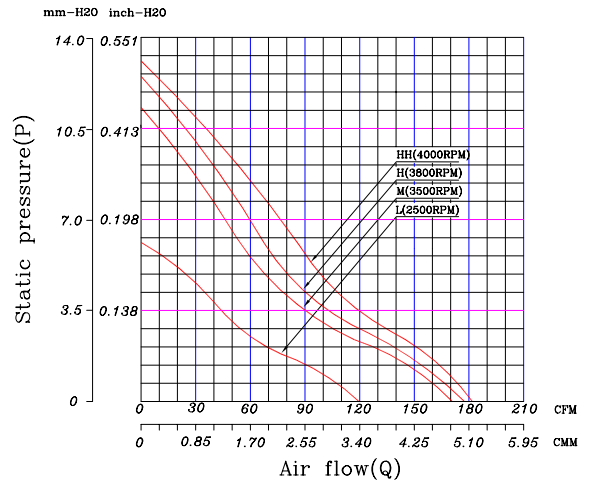
**120 x 120 x 38 mm Series**

**Rev III-12 VDC**

**Dimensions**



**Performance Curves**



Air exhaust over struts. Rotational direction CCW looking at rotor

Brushless DC Motor	Bearing Type
Housing: PBT 94V0	● CeraDyna A
Impeller: PBT 94V0	○ CeraDyna C
Weight: 265 g	● 2-Ball
Impedance protected	○ 1-Ball-1-Sleeve
Lead wire UL 1095 AWG 28	● Sleeve

Function options	
● Frequency Generator	● Auto Restart
● Temperature Control	● Rotation Detection
● PWM Control	

\* Safety Approval: CE, UL, TUV

\* All fans are with electronic protection against reverse polarity. The fan only operates when the polarity is correct.

**Specifications**

Model	Rated Voltage (VDC)	Rated Current (Amp)	Input Power (Watts)	Nominal Speed (RPM)	Airflow (CFM)	Static Pressure (inch-H <sub>2</sub> O)	Noise Level (dBA)
FD1212-AP28XG	12	1.50	18.00	900~4000	181.89	0.51	59.40
FD1212-A02XXG	12	1.50	18.00	4000	181.89	0.51	59.40
FD1212-A12XXG	12	1.20	14.40	3800	177.51	0.49	57.60
FD1212-A22XXG	12	0.90	10.80	3500	170.78	0.44	56.20
FD1212-A32XXG	12	0.41	4.92	2500	119.61	0.24	45.20

\* All readings are typical value at rated voltage.

\* Please refer to **PART NUMBER SYSTEM** for bearing type and part number "XX" designation.

\* Specifications are subject to change without prior notice.

\* Please specify revision number when ordering.