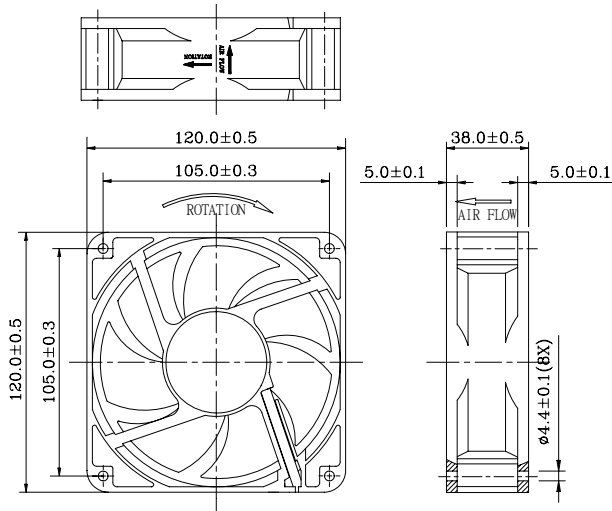




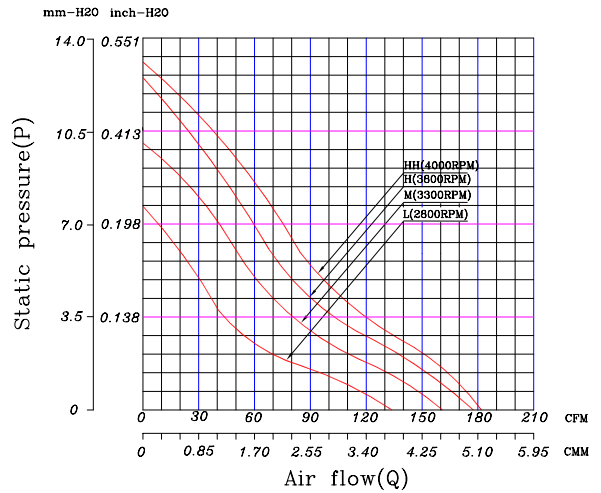
**120 x 120 x 38 mm Series**

**Rev III-24 VDC**

**Dimensions**



**Performance Curves**



Air exhaust over struts. Rotational direction CCW looking at rotor

Brushless DC Motor	Bearing Type
Housing: PBT 94V0	● CeraDyna A
Impeller: PBT 94V0	○ CeraDyna C
Weight: 265 g	● 2-Ball
Impedance protected	○ 1-Ball-1-Sleeve
Lead wire UL 1095 AWG 28	● Sleeve

Function options	
● Frequency Generator	● Auto Restart
● Temperature Control	● Rotation Detection
● PWM Control	

\* Safety Approval: CE, UL, TUV

\* All fans are with electronic protection against reverse polarity. The fan only operates when the polarity is correct.

**Specifications**

Model	Rated Voltage (VDC)	Rated Current (Amp)	Input Power (Watts)	Nominal Speed (RPM)	Airflow (CFM)	Static Pressure (inch-H <sub>2</sub> O)	Noise Level (dBA)
FD2412-AP28XXG	24	0.87	20.88	1000~4000	181.89	0.51	59.40
FD2412-A02XXG	24	0.87	20.88	4000	181.89	0.51	59.40
FD2412-A12XXG	24	0.64	15.36	3800	177.51	0.49	57.60
FD2412-A22XXG	24	0.50	12.00	3300	161.02	0.37	54.90
FD2412-A32XXG	24	0.30	7.20	2800	133.96	0.30	47.70

\* All readings are typical value at rated voltage.

\* Please refer to **PART NUMBER SYSTEM** for bearing type and part number "XX" designation.

\* Specifications are subject to change without prior notice.

\* Please specify revision number when ordering.