

SERIES RTS

**Miniature Rotary Switch
0.5A, 30VDC**



CHARACTERISTICS

- 16 mm Dia
- Excellent Detent
- 1 & 2 Pole models
- PCB Mounting

SPECIFICATIONS

Rating: Switching 0.5A @ 30VDC max
Contact Resistance: 25 mΩ max
Insulation Resistance: 100 MΩ min @ 500 VDC
Temperature: Operating -10°C to +60°C
Operating Life: 1.000 operations
Operating Torque: 600 - 1000 gf

HOW TO ORDER

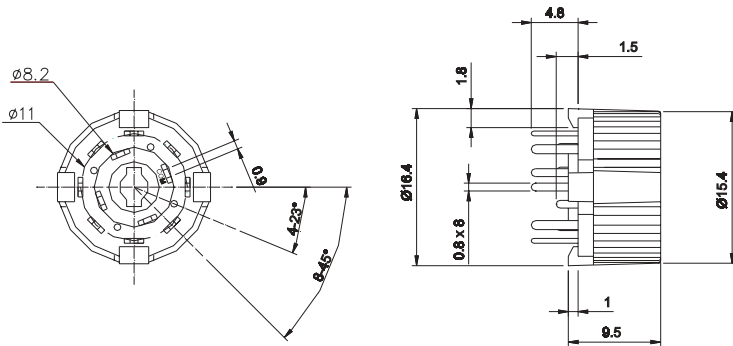
R T S

□ □ □

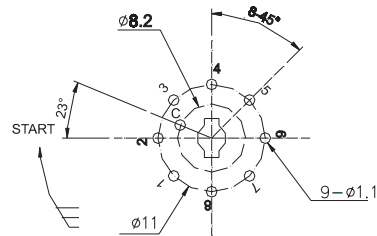
POLE / POSITIONS

- 102 1P 2 Pos
- 103 1P 3 Pos
- 106 1P 6 Pos
- 108 1P 8 Pos
- 202 2P 2 Pos
- 203 2P 3 Pos
- 204 2P 4 Pos

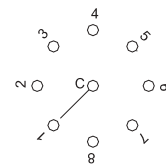
DIMENSIONS



P.C.B. layout



Schematic



Part N° shown: RTS 108