

## DESCRIPTION

The PT5634 is a Power Factor Correction control IC for electronic ballast and switching mode power supply application. With a wide bandwidth error amplifier and a wide linear operating range multiplier, the PT5634 is available to operate in Critical Conduction Mode and implement a high PF and excellent THD in wide input voltage application. Furthermore, PT5634 provides a low start-up current and operating current, a precise over-voltage protection and the disable function.

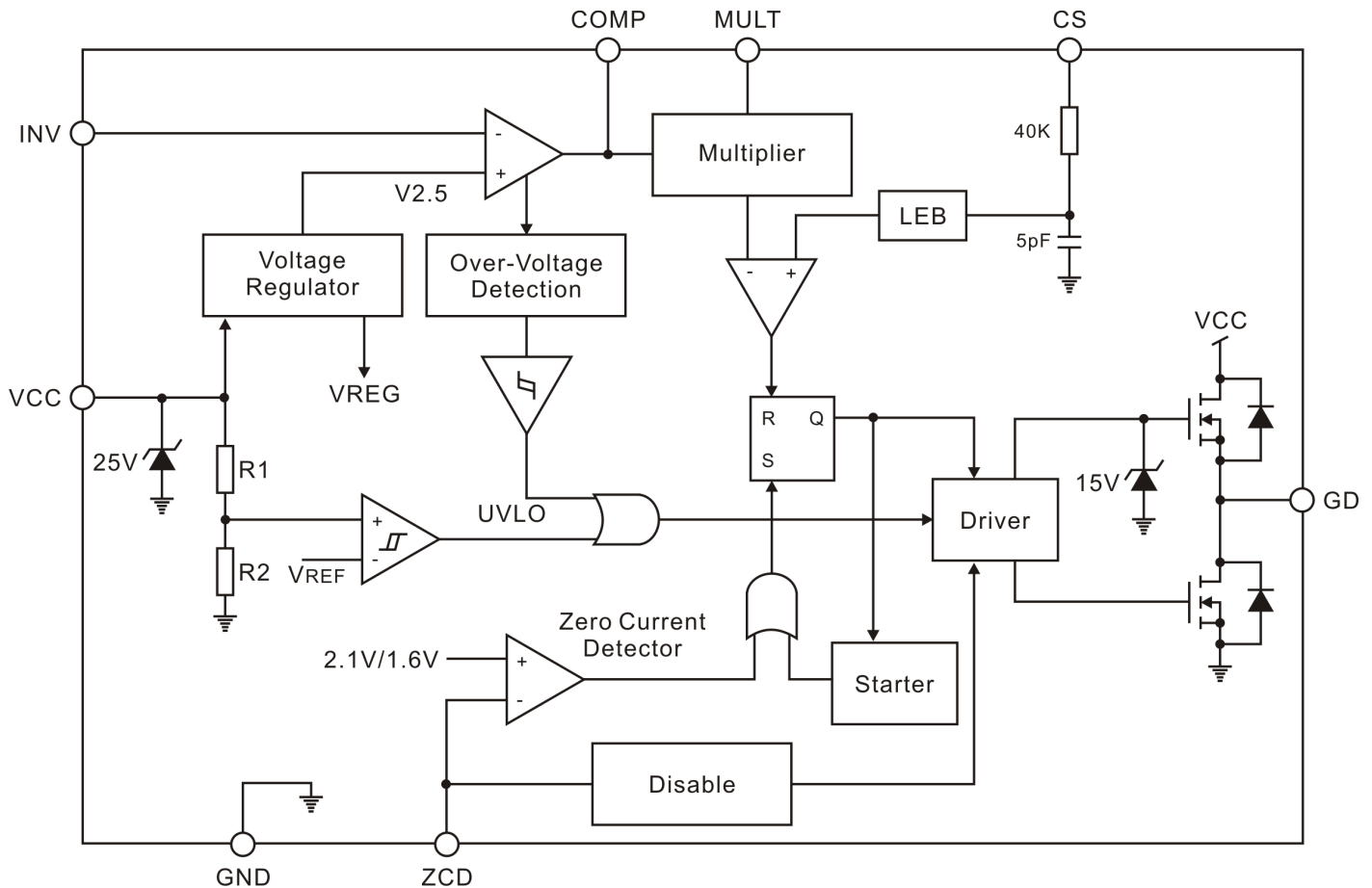
## FEATURES

- Critical Conduction Mode (CRM) control
- Very low start-up current (30 $\mu$ A)
- Precise reference voltage ( $\pm 1\%$ )
- Precise adjustable output over-voltage protection
- Restart timer
- Leading edge blocking time
- Disable function

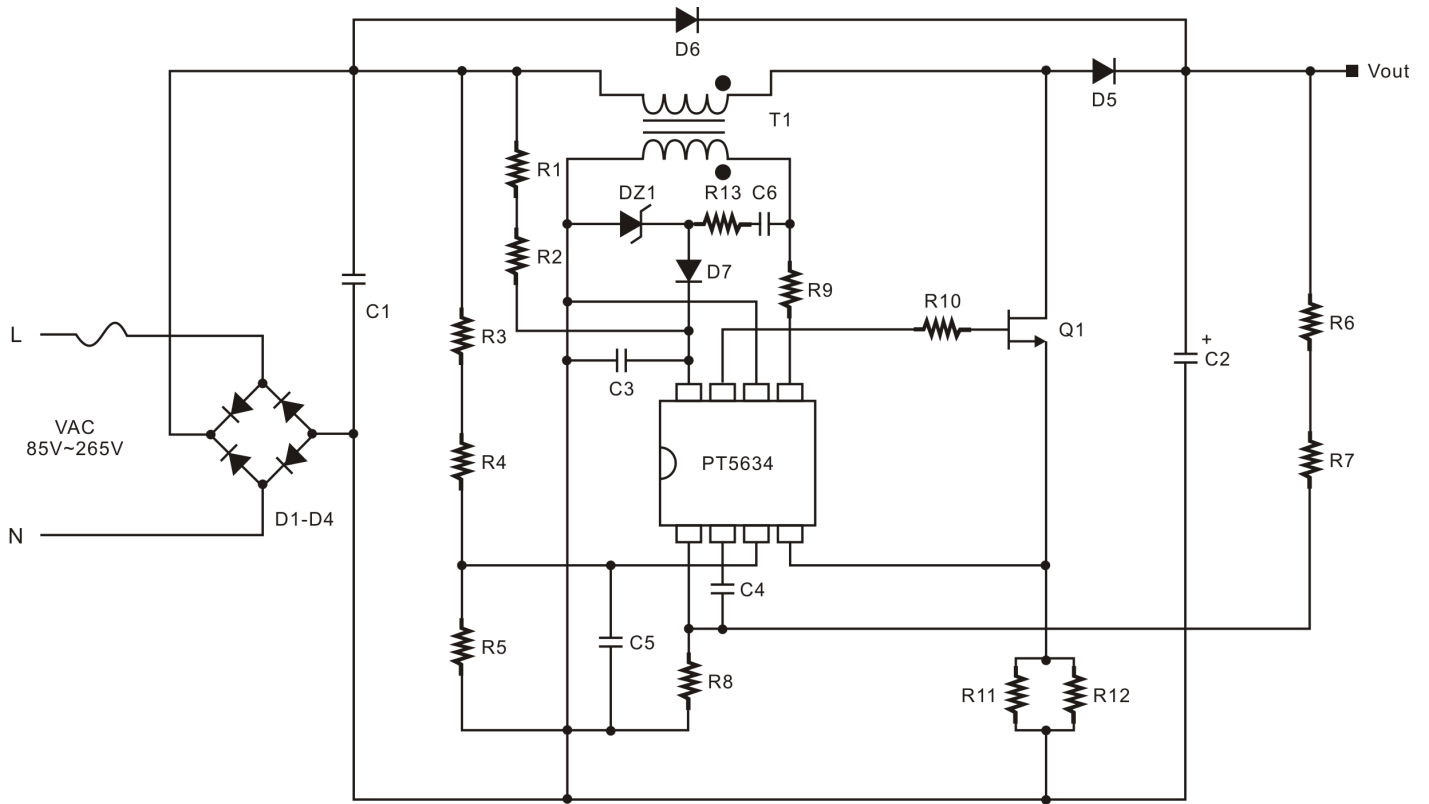
## APPLICATIONS

- Electronic ballast
- AC-DC adaptor and switching mode power supply

## BLOCK DIAGRAM



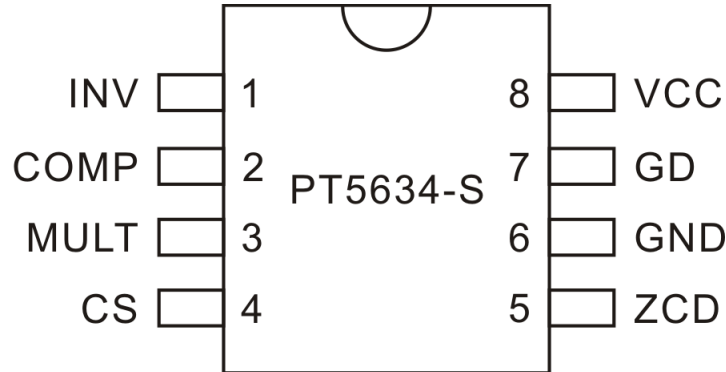
# TYPICAL APPLICATION



## ORDER INFORMATION

Valid Part Number	Package Type	Top Code
PT5634-S	8 Pins, SOP, 150mil	PT5634-S

## PIN CONFIGURATION



## PIN DESCRIPTION

Pin Name	Description	Pin No.
INV	Error amplifier inverting input	1
COMP	Error amplifier compensation	2
MULT	Multiplier input	3
CS	Current sense	4
ZCD	Zero current detection	5
GND	System ground	6
GD	Gate driver output	7
VCC	IC power supply	8



## **IMPORTANT NOTICE**

Princeton Technology Corporation (PTC) reserves the right to make corrections, modifications, enhancements, improvements, and other changes to its products and to discontinue any product without notice at any time.

PTC cannot assume responsibility for use of any circuitry other than circuitry entirely embodied in a PTC product. No circuit patent licenses are implied.

Princeton Technology Corp.  
2F, 233-1, Baociao Road,  
Sindian, Taipei 23145, Taiwan  
Tel: 886-2-66296288  
Fax: 886-2-29174598  
<http://www.princeton.com.tw>