

## DESCRIPTION

The PT5100 is a single 10-bit DAC with 102.3mA output current sink capability. It features an internal reference and operates from a single 2.3V to 5.5V supply. The DAC is controlled via a 2-wire (I<sup>2</sup>C compatible) serial interface that operates at clock rates up to 400KHz.

The PT5100's unique and proprietary Slope Control Modes allow the user to customize the output transient response thereby overcoming mechanical ringing associated with reduced form factor voice coil motors (VCMs).

The PT5100 incorporates a power-on reset circuit, which ensures that DAC output powers up to 0V and remains there until a valid write takes place. It has a power-down feature that reduces the current consumption of the device to 1μA maximum.

The PT5100 is designed for autofocus, image stabilization, and optical zoom applications in camera phones, digital still cameras, and camcorders.

The PT5100 also has many industrial applications, such as controlling temperature, light, and movement, over the range -40°C to +85°C without derating.

The I<sup>2</sup>C address for the PT5100 is 0x18h.

PT5100 has two versions IC about Xshutdown pin:  
Ver A: XShutdown pin is active low. (Hard Shutdown mode at V<sub>XSHUTDOWN</sub>=0V)  
Ver B: XShutdown pin is active High. (Hard Shutdown mode at V<sub>XSHUTDOWN</sub>=1.8V)

## FEATURES

- 102.3mA current sink
- 2-wire (I<sup>2</sup>C-compatible) 1.8V serial interface
- 10-bit resolution DAC
- Integrated current sense resistor
- Selectable output slope control
- 2.3V to 5.5V power supply
- Guaranteed monotonic over all codes
- Power-down to 0.5μA typical
- Internal reference
- Built-in UVLO shutdown circuit
- Power-down function
- Power-on reset
- Available in 2 x 3 array, 0.961mm x 1.580\*0.395mm WLCSP packages

## APPLICATIONS

### CONSUMER APPLICATIONS

- Lens autofocus
- Image stabilization
- Optical zoom
- Shutters
- Iris/exposure
- Neutral density (ND) filters
- Lens covers
- Camera phones
- Digital still cameras
- Camera modules
- Digital video cameras/camcorders
- Camera-enabled devices
- Security cameras
- Web/PC cameras

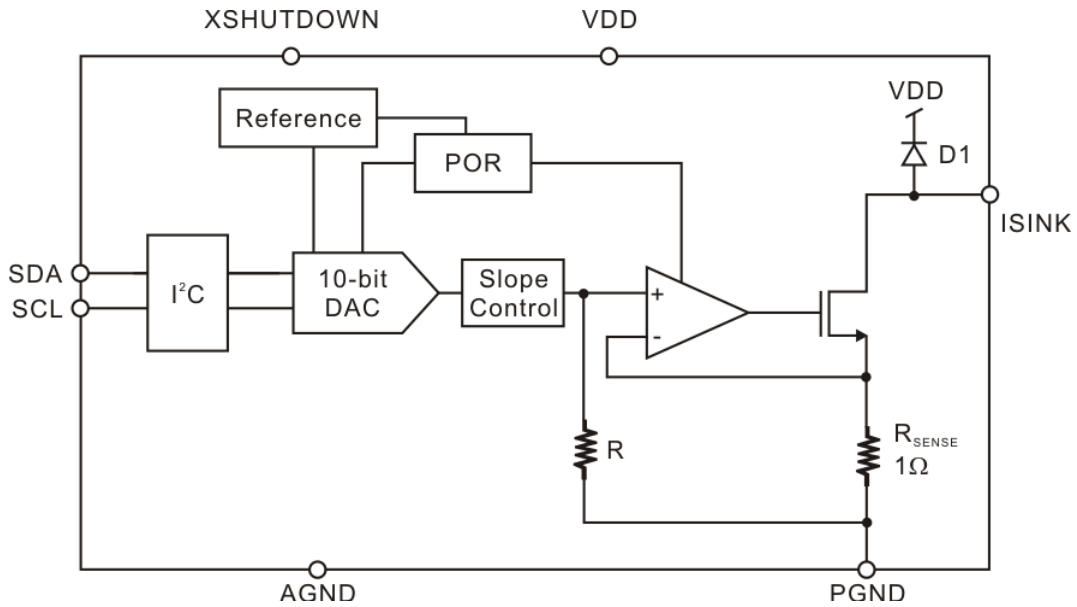
### INDUSTRIAL APPLICATIONS

- Heater controls
- Fan controls
- Cooler (Peltier) controls
- Solenoid controls
- Valve controls
- Linear actuator controls
- Light controls
- Current loop controls

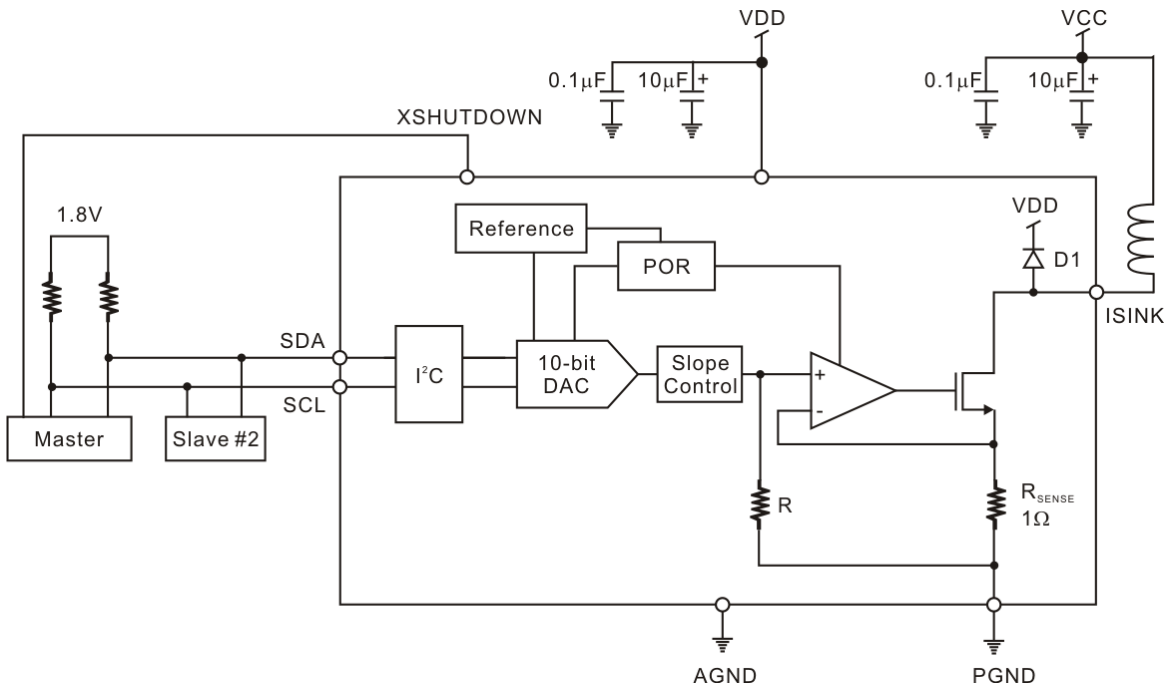
## STRUCTURE

- Silicon CMOS IC

## BLOCK DIAGRAM



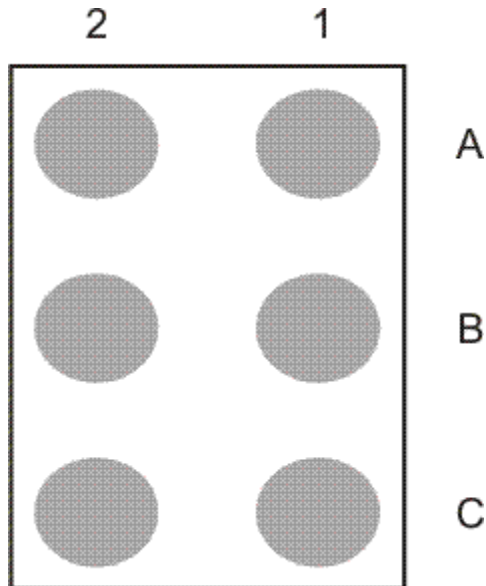
## APPLICATION CIRCUIT



## ORDER INFORMATION

Valid Part Number	Package Type	Top Code
PT5100	6 Pins, WCSP	5100

## PIN CONFIGURATION



## PIN DESCRIPTION

### WCSP-6

Ball Name	Description	Ball No.
I <sub>SINK</sub>	Output current sink	A1
Xshutdown	Power down, asynchronous power down signal	A2
GND	Ground pin (Power/Analog/Digital ground)	B1
SDA	I <sup>2</sup> C interface signal	B2
VDD	Power supply	C1
SCL	I <sup>2</sup> C interface signal	C2

## **IMPORTANT NOTICE**

Princeton Technology Corporation (PTC) reserves the right to make corrections, modifications, enhancements, improvements, and other changes to its products and to discontinue any product without notice at any time.

PTC cannot assume responsibility for use of any circuitry other than circuitry entirely embodied in a PTC product. No circuit patent licenses are implied.

Princeton Technology Corp.  
2F, 233-1, Baociao Road,  
Sindian, Taipei 23145, Taiwan  
Tel: 886-2-66296288  
Fax: 886-2-29174598  
<http://www.princeton.com.tw>