



DESCRIPTION

PT6709 is a 9 channel current sink driver with PWM dimming control for LED applications. It contains a serial buffer and data latches which convert serial input data into parallel format. At the output stage, 9 current sinking channels are provided for driving LEDs. Each channel is equipped with programmable 8-bit PWM dimming features for RGB color manipulations.

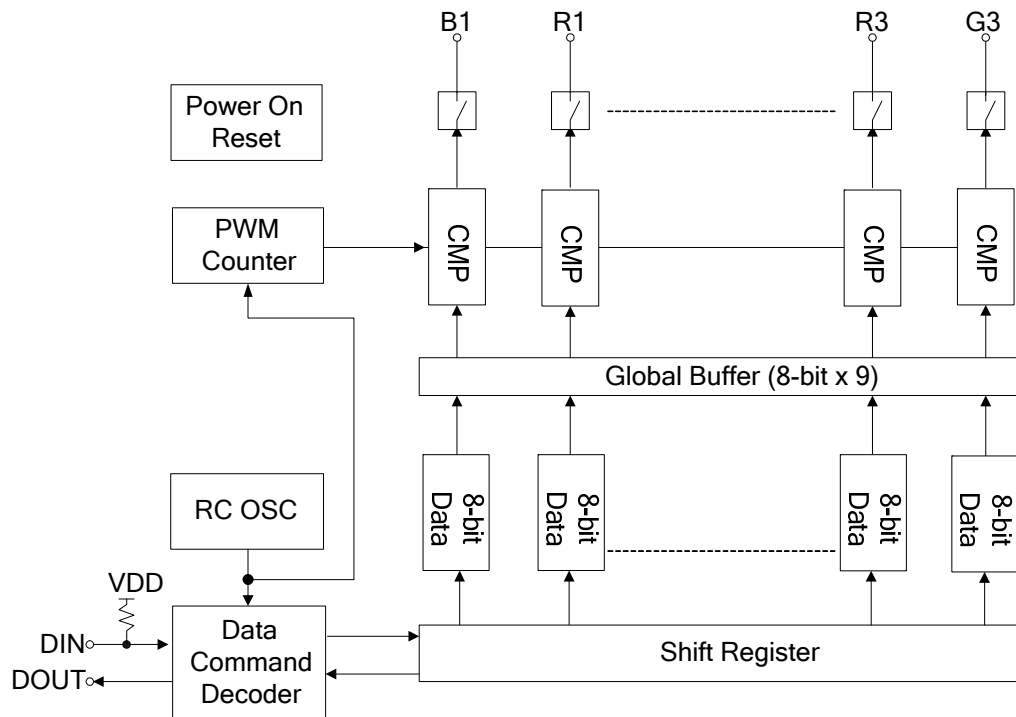
APPLICATION

- LED Displays/ RGB Cluster controls

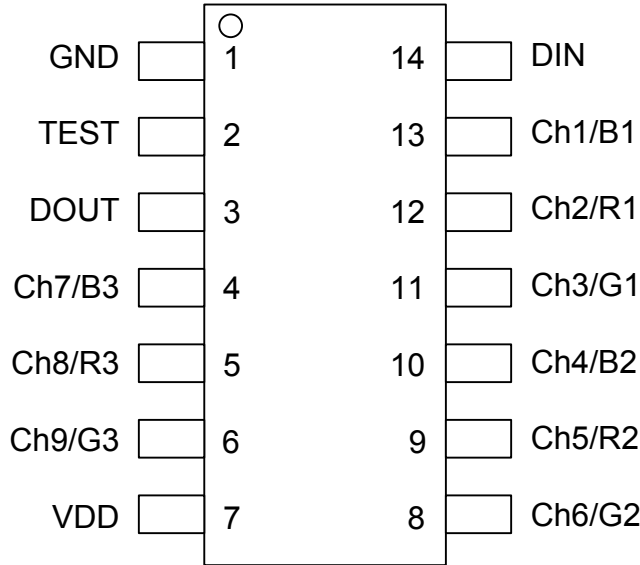
FEATURES

- PT6709 supports 6V~24V with an external resistor connected to the chip VDD pin
- Each of the 9 channels can support 6V~24V with an external resistor and up to 6 LEDs connected to form the 9 outputs: R1~3/G1~3/B1~3
- 8-bit (256 gray scale) per channel PWM dimming
- Normal mode: 17million colors
- High speed mode: 256 colors
- 8051 MCU UART interface
- Chip cascade function designed
- Built-in power on reset
- Built-in burn in mode
- Maximum data input rate: 1Mbps
- Package: 14-Pin, SOP

BLOCK DIAGRAM



PIN CONFIGURATION



PIN DESCRIPTION

Pin Name	Description	Pin No.
GND	Ground terminal	1
TEST	Test pin. Please un-connect this pin during application	2
DOUT	Serial-data/Command output	3
B3, B2, B1	Open-drain, constant-current sink outputs for B LEDs	4, 10, 13
R3, R2, R1	Open-drain, constant-current sink outputs for R LEDs	5, 9, 12
G3, G2, G1	Open-drain, constant-current sink outputs for G LEDs	6, 8, 11
VDD	Supply voltage terminal	7
DIN	Serial-data/Command input	14



IMPORTANT NOTICE

Princeton Technology Corporation (PTC) reserves the right to make corrections, modifications, enhancements, improvements, and other changes to its products and to discontinue any product without notice at any time.

PTC cannot assume responsibility for use of any circuitry other than circuitry entirely embodied in a PTC product. No circuit patent licenses are implied.

Princeton Technology Corp.
2F, 233-1, Baociao Road,
Sindian Dist., New Taipei City 23145, Taiwan
Tel: 886-2-66296288
Fax: 886-2-29174598
<http://www.princeton.com.tw>