



DESCRIPTION

PT2387 is a 3D Effect Audio Processor IC utilizing CMOS Technology. It features a specially designed PTC HRTFs Filter and space-enhanced circuit, thereby, guaranteeing excellent audio quality and performance. Least external components, excellent 3D effect audio output, built-in LED display driver add to the enhanced quality of PT2387. Pin assignments and application circuit are optimized for easy PCB Layout and cost saving benefits.

FEATURES

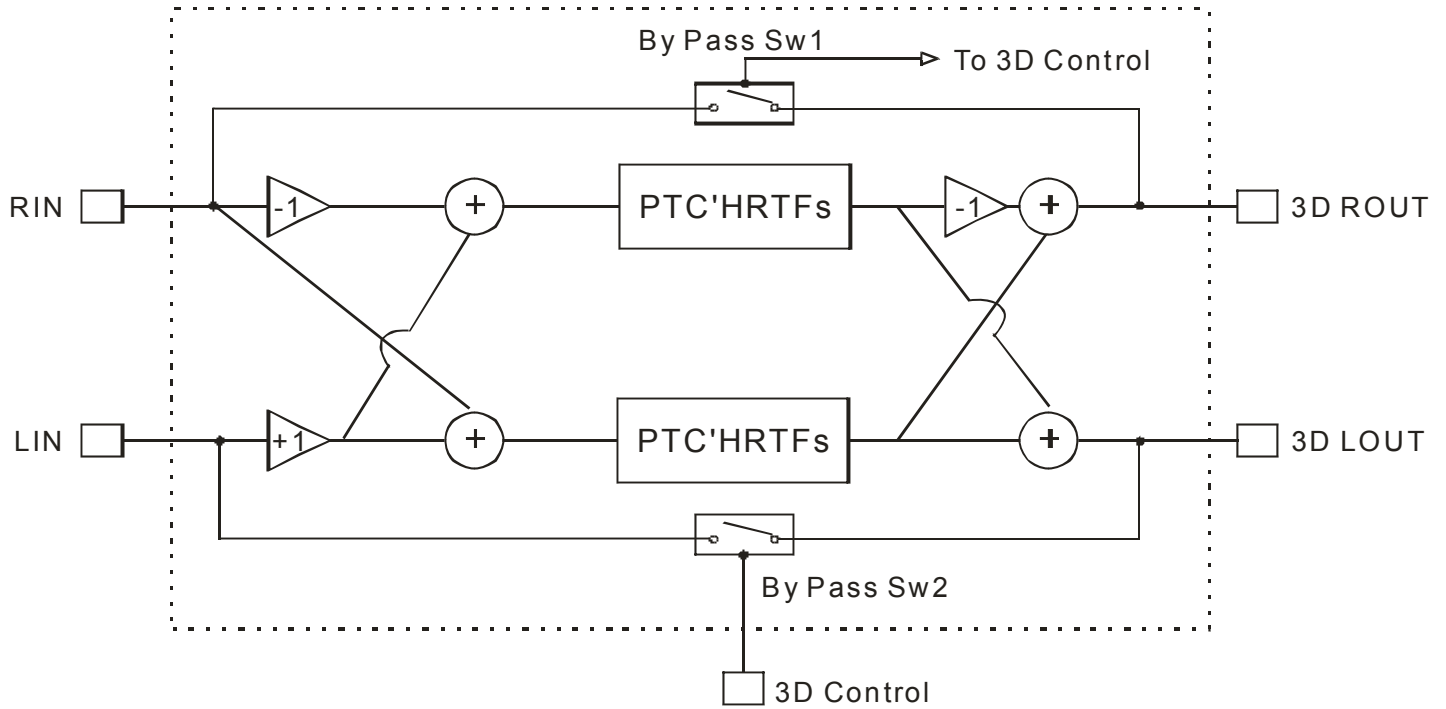
- CMOS technology
- Operating voltage range: 5V to 9 V
- THD=N<0.01%, S/N>95dB
- Specially designed PTC HRTFs filter technology and 3D space-enhanced circuit
- Least external components
- Built-in LED display driver
- Available in 8 Pins, DIP or SOP

APPLICATIONS

- Multi-media audio
- Car audio
- Walkman
- Home stereo
- TV
- PC speakers
- Notebook Computer/Laptop
- Other audio equipment

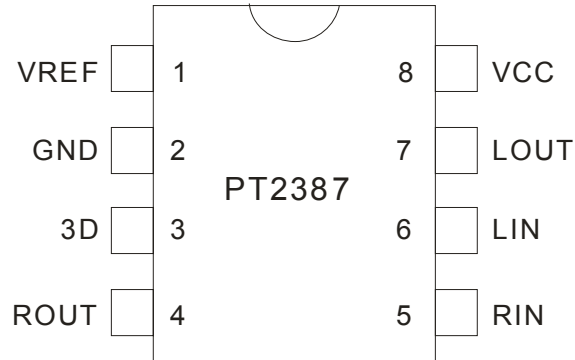


BLOCK DIAGRAM





PIN CONFIGURATION



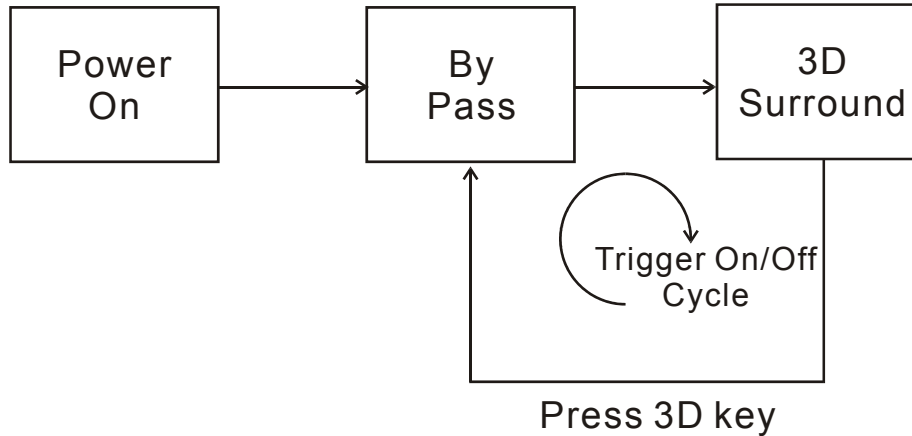
PIN DESCRIPTION

Pin Name	I/O	Description	Pin No.
VREF	O	1/2 VCC Connect capacitor to GND	1
GND	-	Ground Pin	2
3D	I	3D Effect Control Pin	3
ROUT	O	Right Channel Output Pin	4
RIN	I	Right Channel Input Pin	5
LIN	I	Left Channel Input Pin	6
LOUT	O	Left Channel Output Pin	7
VCC	-	Positive Power Supply	8



FUNCTION DESCRIPTION

The 3D effect of PT2387 is controlled by Pin No.3 (3D pin) via a TACT Switch which is triggered when connected to Vcc ("High"). Please refer to the diagram below.



LED DISPLAY DRIVER

PT2387 has a built-in LED driver which is used to display the 3D activity status. Please refer to the table below.

3D/Surround Effect OFF	3D/Surround Effect ON
LED Display OFF	LED Display ON



ABSOLUTE MAXIMUM RATING

Parameter	Symbol	Ratings	Unit
Positive power supply	V_{CC}	12	V
Input voltage	V_i	0.3 to $V_{CC}+0.3$	V
Operating temperature	T_{opr}	-40 ~ +85	°C
Storage temperature	T_{stg}	-65 ~ +150	°C

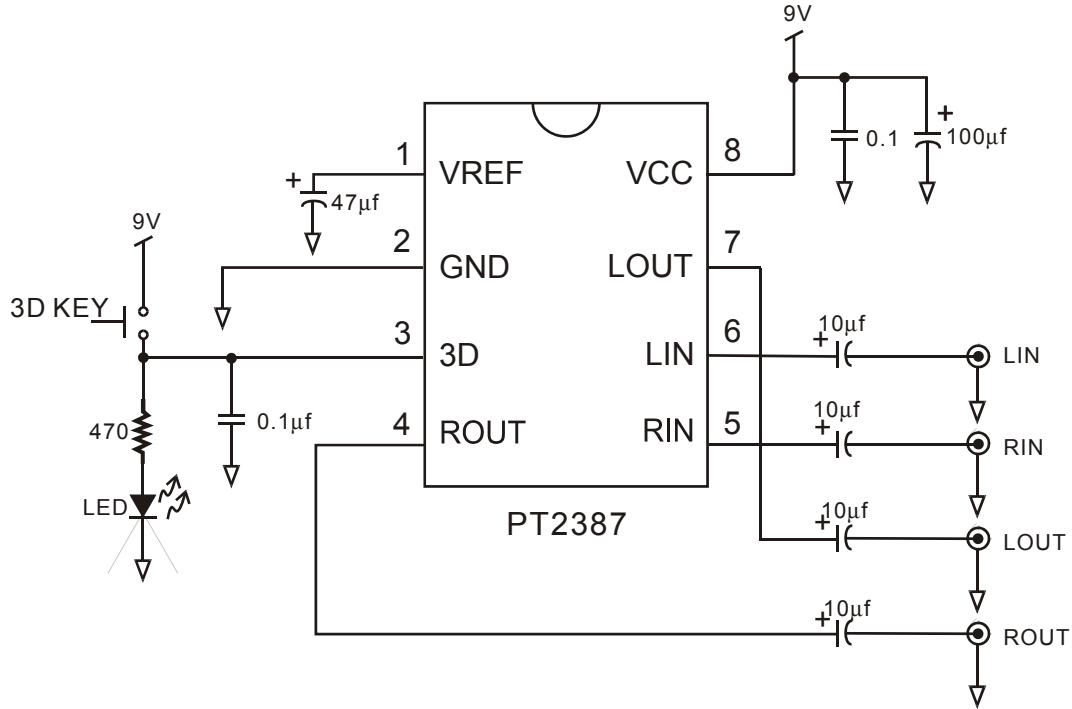
DC ELECTRICAL CHARACTERISTICS

(Unless otherwise specified, $V_{CC}=9V$, $V_i=1V_{rms}$, $f=1KHz$, $T_a=27^{\circ}C$)

Parameter	Symbol	Condition	Min.	Typ.	Max.	Unit
Operating voltage	V_{CC}		5	9	10	V
Operating current	I_{CC}	$V_{CC}=9V$, $V_i=0V$, Bypass Mode	-	20	-	mA
Maximum output voltage	V_{OM}	$V_{CC}=9V$	-	-	2.5	Vrms
Output noise voltage	V_{ON}	$V_{CC}=9V$, $V_i=0V$, BW=20 to 20KHz, A-weighting	-	-90	-	dB
Total harmonic distortion	THD	$V_{CC}=9V$, $V_i=0.2V_{rms}$, BW=20 to 20KHz, Bypass Mode	-	-	0.05	%
Input impedance	R_{IN}	$V_{CC}=9V$	-	100	-	K Ω
Output impedance	R_{OUT}	$V_{CC}=9V$	-	40	80	Ω
High level input voltage	V_{IN}	$V_{CC}=9V$	-	-	$0.7V_{CC}$	V
Low level input voltage	V_{IL}	$V_{CC}=9V$	$0.3V_{CC}$	-	-	V
Maximum input voltage	V_{IMAX}	$V_{CC}=9V$, Bypass Mode	-	-	2.0	Vrms



APPLICATION CIRCUIT





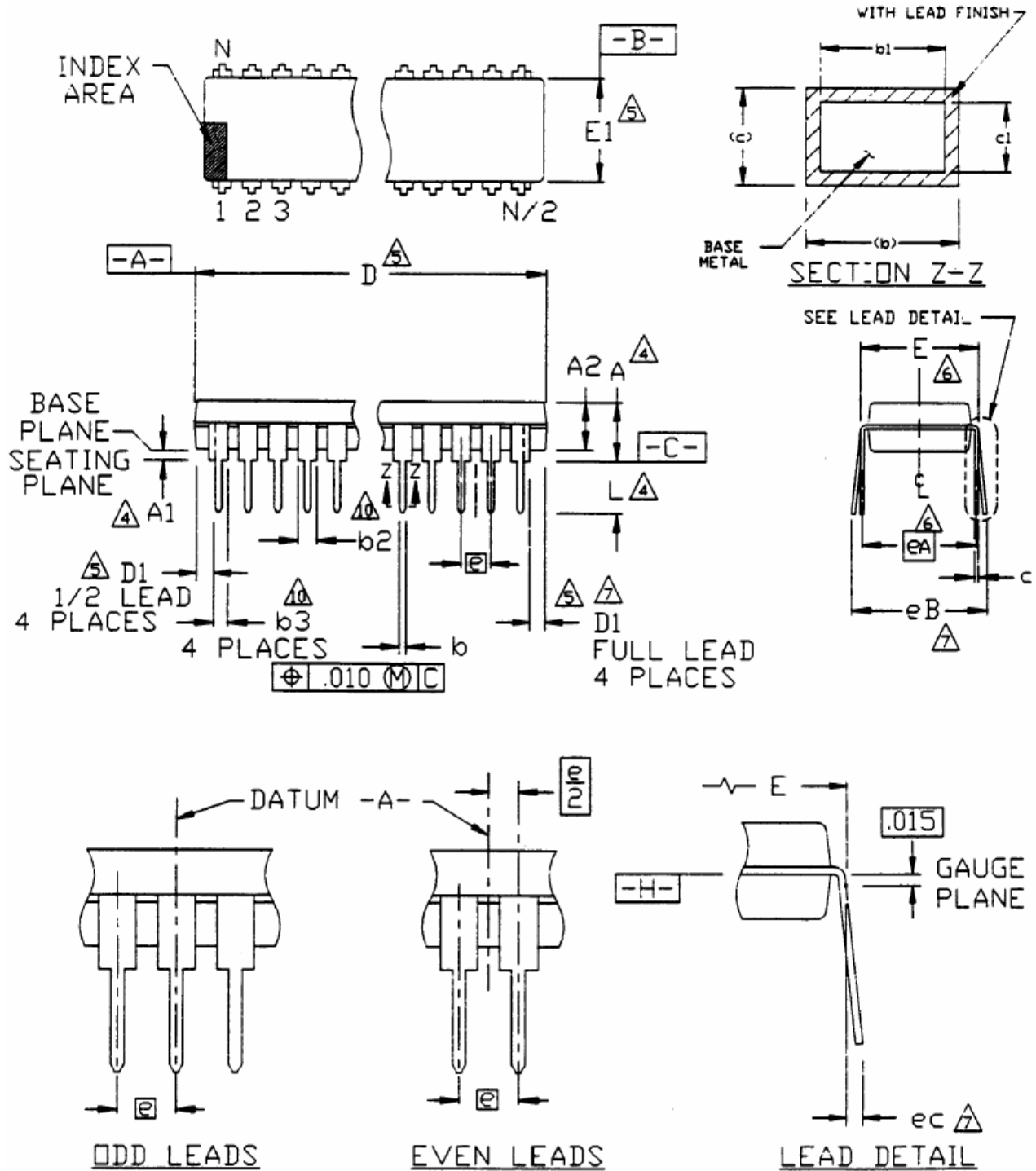
ORDER INFORMATION

Valid Part Number	Package Type	Top Code
PT2387	8 Pins, DIP, 300mil	PT2387
PT2387-S	8 Pins, SOP, 150mil	PT2387-S



PACKAGE INFORMATION

8 PINS, DIP, 300MIL





3D Effect Audio Processor IC

PT2387

Symbol	Min.	Nom.	Max.
A	-	-	0.210
A1	0.015	-	-
A2	0.115	0.130	0.195
b	0.014	0.018	0.022
b1	0.014	0.018	0.020
b2	0.045	0.060	0.070
b3	0.030	0.039	0.045
c	0.008	0.010	0.014
c1	0.008	0.010	0.011
D	0.355	0.365	0.400
D1	0.005	-	
E	0.300	0.310	0.325
E1	0.240	0.250	0.280
e	0.100 bsc.		
eA	0.300 bsc.		
eB	-	-	0.430
eC	0.000	-	0.060
L	0.115	0.130	0.150

Notes:

- Controlling Dimensions: INCHES.
- Dimensioning and tolerancing per ANSI Y14.5M-1982.
- Symbols are defined in the "MO Series Symbol LIST" in Section 2.2 of Publication No.95.
- Dimension A, A1 and L are measured with the package seated in JEDEC Seating Plane Gauge GS-3.
- D, D1 and E1 dimensions do not include mold flash or protrusions. Mold flash or protrusions shall not exceed 0.010 inch.
- E and eA measured with the leads constrained to be perpendicular to data \square_{-C-} .
- eB and eC are measured at the lead tips with the leads unconstrained.
- N is the number of leads (N=8)
- Pointed or rounded lead tips are preferred to ease insertion.
- b2 and b3 maximum dimensions do not include dambar protrusions. Dambar protrusions shall not exceed 0.010 inch (0.25mm)
- Variation BA has a b3 dimension and is 1/2 lead package.
- Distance between the leads including dambar protrusions to be 0.005 inch minimum.
- Datum plane \square_{-H-} coincident with the bottom of lead, where lead exits the body.
- Refer to JEDEC MS-001, Variation BA.

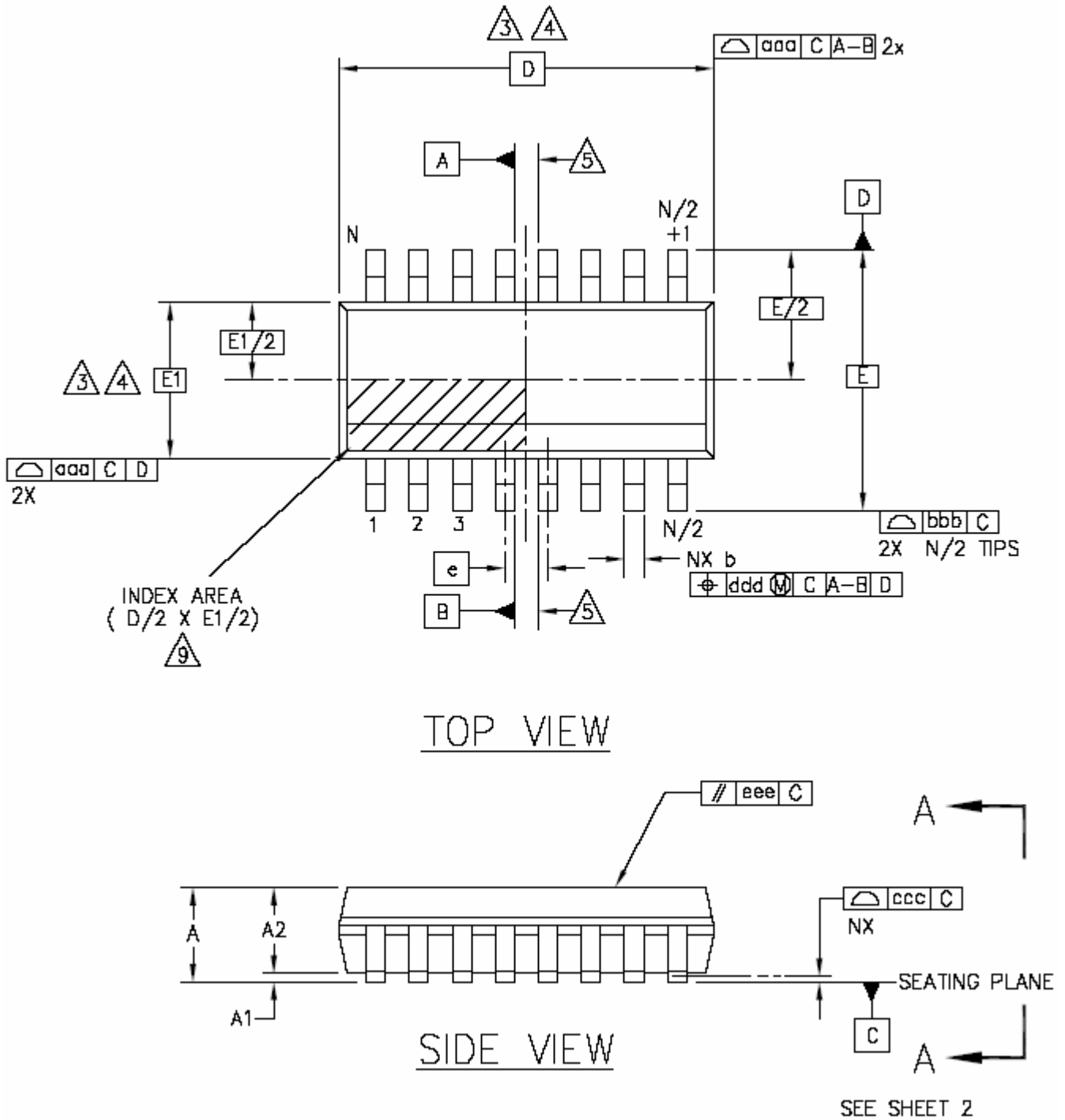
JEDEC is the registered trademark of JEDEC SOLID STATE TECHNOLOGY ASSOCIATION.



3D Effect Audio Processor IC

PT2387

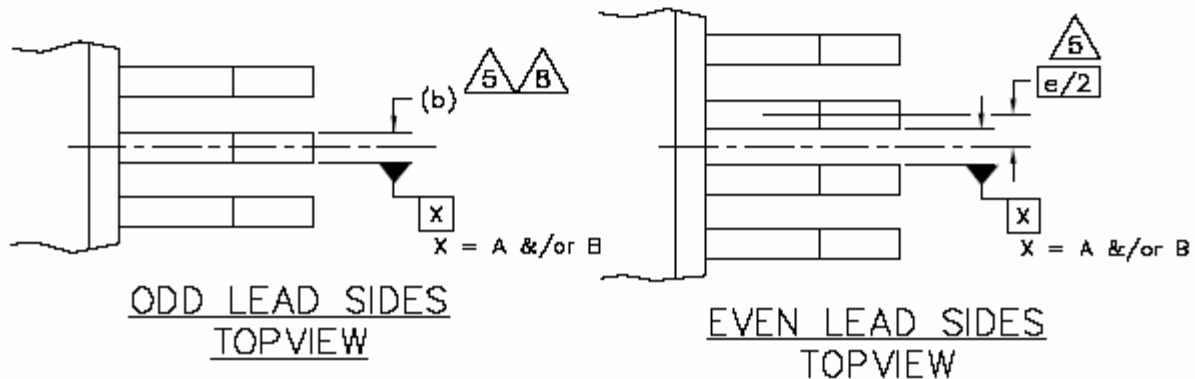
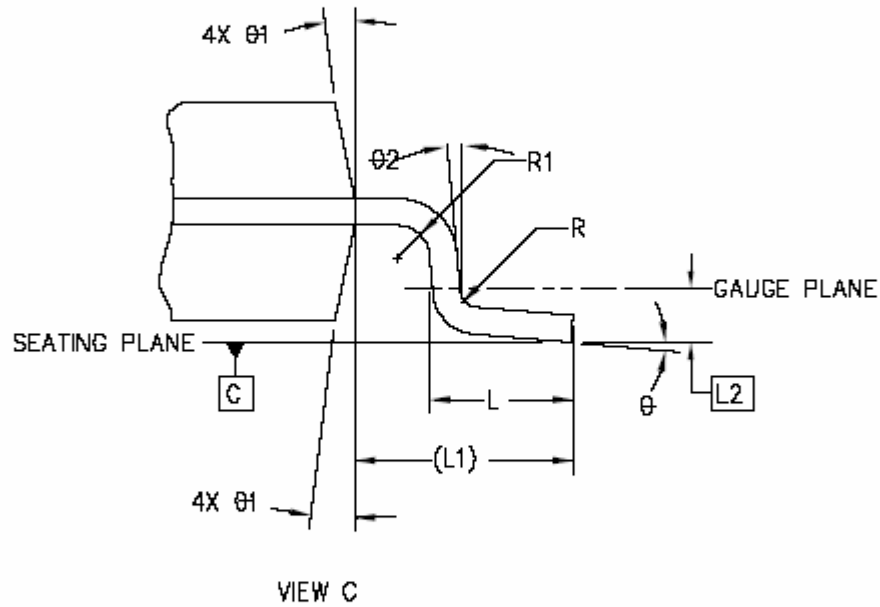
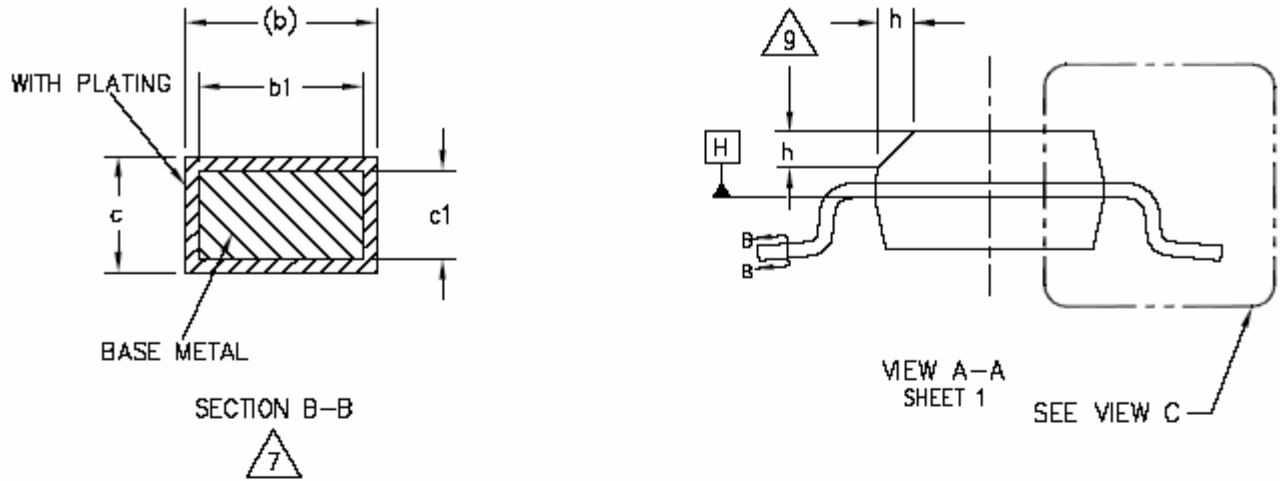
8 PINS, SOP, 150MIL





3D Effect Audio Processor IC

PT2387





3D Effect Audio Processor IC

PT2387

Symbol	Min.	Typ.	Max.
A	1.35	-	1.75
A1	0.10	-	0.25
A2	1.25	-	1.65
b	0.31	-	0.51
b1	0.28	-	0.48
c	0.17	-	0.25
c1	0.17	-	0.23
D	4.90 BSC.		
E	6.00 BSC.		
E1	3.90 BSC.		
e	1.27 BSC.		
L	0.40	-	1.27
L1	1.04 REF.		
L2	0.25 BSC.		
R	0.07	-	-
R1	0.07	-	-
h	0.25	-	0.50
θ	0°	-	8°
$\theta 1$	5°	-	15°
$\theta 2$	0°	-	-

Notes:

1. Dimensioning and tolerancing per ANSI Y 14.5M-1994
2. Controlling Dimension: MILLIMETERS.
3. Dimension D does not include mold flash protrusions or gate burrs. Mold flash, protrusions or gate burrs shall not exceed 0.15 mm (0.006 in) per end. Dimension E1 does not include interlead flash or protrusion. Interlead flash or protrusion shall not exceed 0.25mm per side. D and E1 dimensions are determined at datum H.
4. The package top may be smaller than the package bottom. Dimensions D and E1 are determined at the outermost extremes of the plastic body exclusive of mold flash, tie bar burrs, gate burrs and interlead flash, but including any mismatch between the top and bottom of the plastic body.
5. Datums A & B to be determined at datum H.
6. N is the number of terminal positions. (N=8)
7. The dimensions apply to the flat section of the lead between 0.10 to 0.25mm from the lead tip.
8. Dimension "b" does not include dambar protrusion. Allowable dambar protrusion shall be 0.10mm total in excess of the "b" dimension at maximum material condition. The dambar cannot be located on the lower radius of the foot.
9. This chamfer feature is optional. If it is not present, then a pin 1 identifier must be located within the index area indicated.
10. Refer to JEDEC MS-012, Variation AA.
JEDEC is the registered trademark of JEDEC SOLID STATE TECHNOLOGY ASSOCIATION.