

## DESCRIPTION

The PT2221M and PT2222M are remote control transmitters utilizing CMOS technology specially designed for use on infrared remote control applications. They are pin-to-pin compatible with NEC  $\mu$ PD6121 and  $\mu$ PD6122 respectively. PT2221M is packaged in 20 pins SO and capable of controlling 32 functions and 3 double keys. PT2222M, on the other hand, is housed in 24 pins SOP and capable of controlling 64 function keys and 3 double keys. PT2221M/PT2222M may be paired with PT2225 to construct a powerful remote control system.

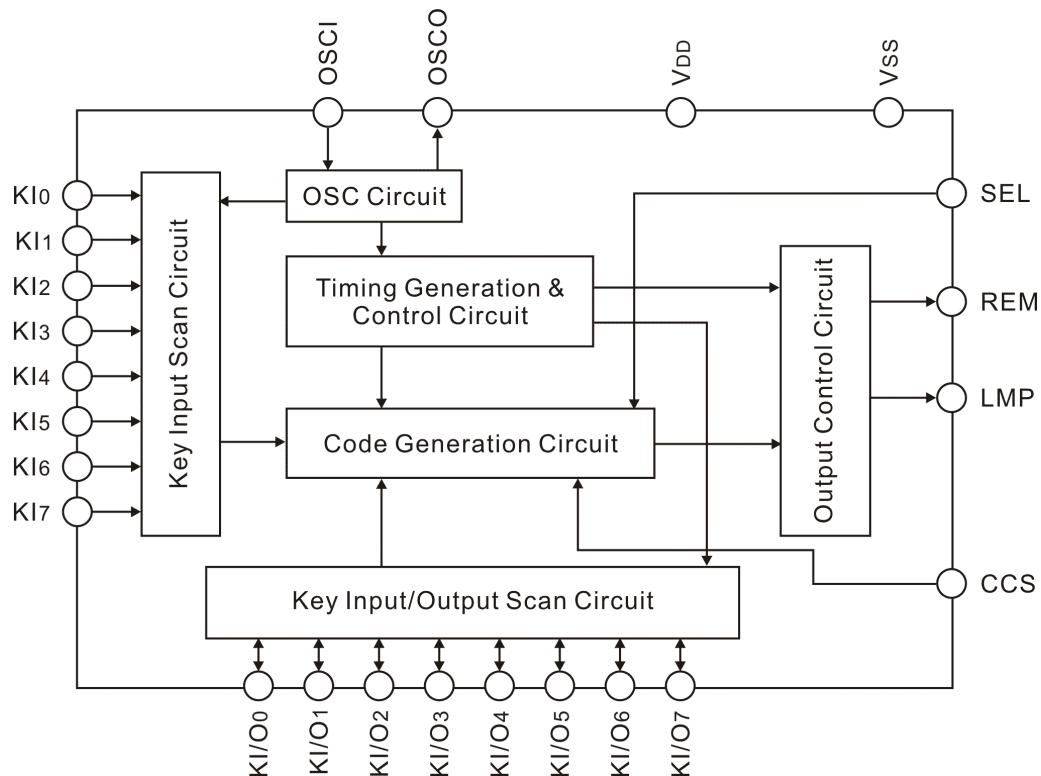
## FEATURES

- CMOS technology
- Low power consumption (VDD=2.0 to 3.3V)
- Pin-to-Pin compatible with  $\mu$ PD6121/ $\mu$ PD6122
- Using SEL pin, PT2221M can support 64+6 function codes
- Using SEL pin, PT2222M can support 128+6 function codes
- Customer code can be selected (please contact PTC for details)
- Available in COB package

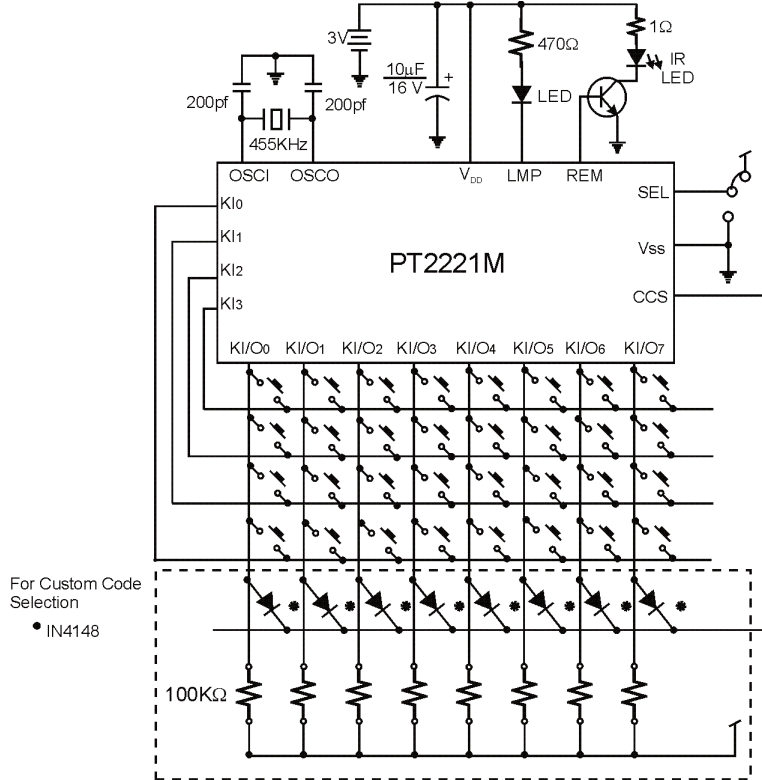
## APPLICATIONS

- Audio equipment
- Television (TV)
- Cable TV tuner
- Video cassette recorder (VCR)
- Cassette deck
- Air conditioner
- Video compact disk (VCD)
- DVD ROM player
- Moniputer/Multi-media personal computer system

## BLOCK DIAGRAM

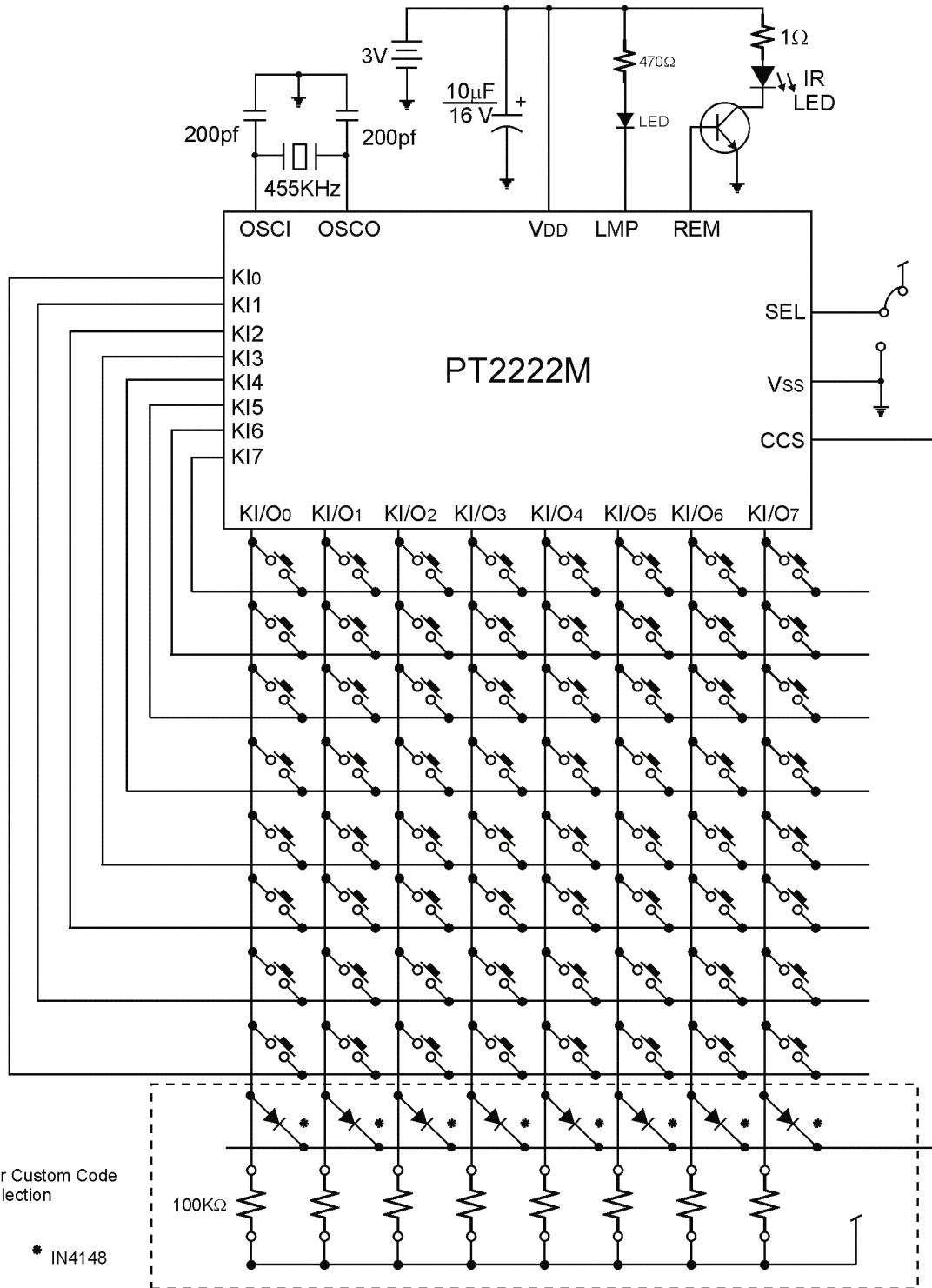


# APPLICATION CIRCUIT 1



**Note:**  
 The Vcc and Vss Terminals must be "SHORT" before the batteries are loaded to the transmitter handset to insure that PT2221M Power On Reset Function will operate properly.

# APPLICATION CIRCUIT 2



**Note:**  
 The Vcc and Vss Terminals must be "SHORT" before the batteries are loaded to the transmitter handset to insure that PT2222M Power On Reset Function will operate properly.



## ORDER INFORMATION

Valid Part Number	Package Type	Top Code
PT2222M-001	COB	-
PT2221M-001-D	20 Pins, DIP, 300mil	PT2221M-001-D
PT2221M-001	20 Pins, SOP, 300mil	PT2221M-001
PT2221M-002	20 Pins, SOP, 300mil	PT2221M-002
PT2222M-001	24 Pins, SOP, 300mil	PT2222M-001
PT2222M-002	24 Pins, SOP, 300mil	PT2222M-002

## PIN CONFIGURATION

