



## DESCRIPTION

The PT12916 is a car audio processor with 10 input sources selector and 3-band equalizer, which includes a fully integrated high performance audio filters that are built into a single chip to provide audio system having the highest audio performance and reliability. Digital control allows programming in a wide range of filter characteristics.

## APPLICATION

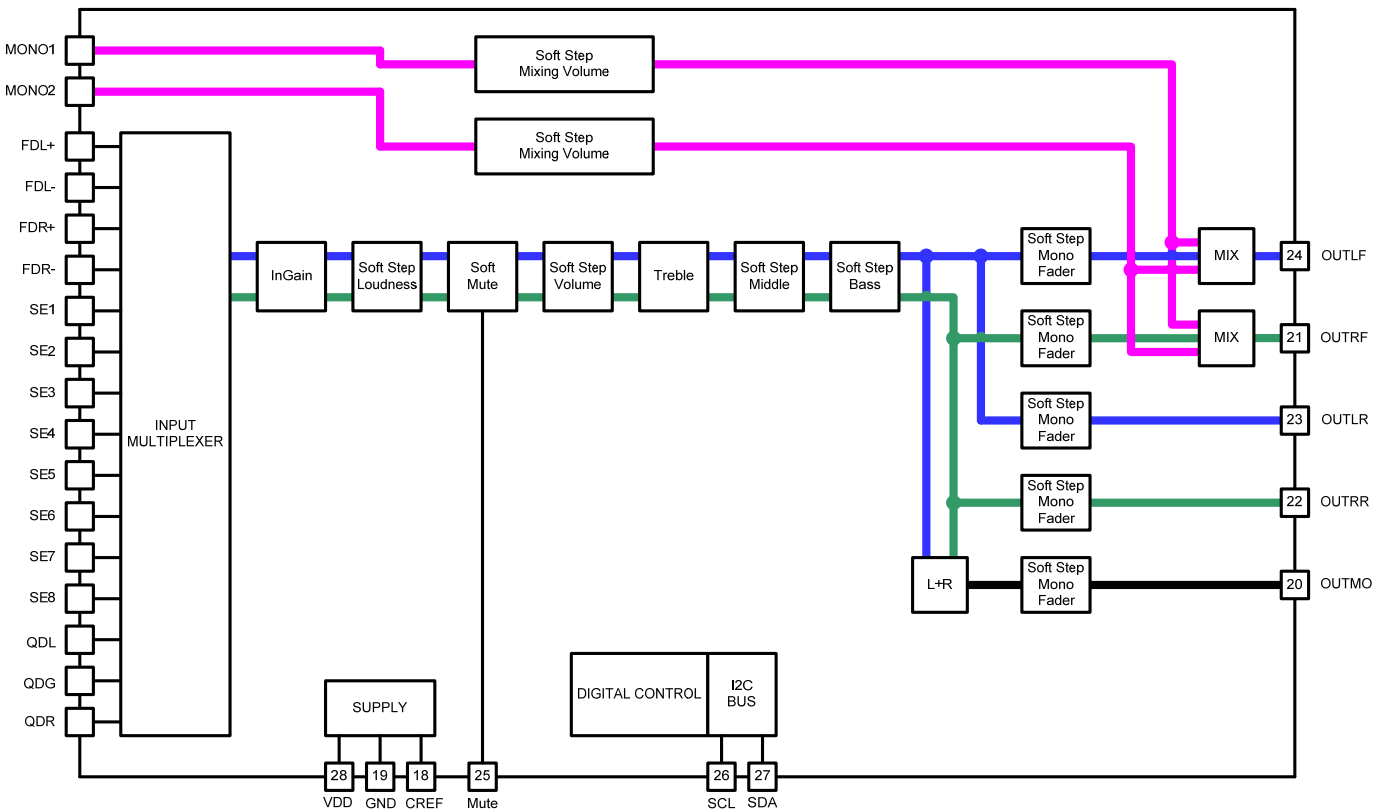
- Car Audio System

## FEATURES

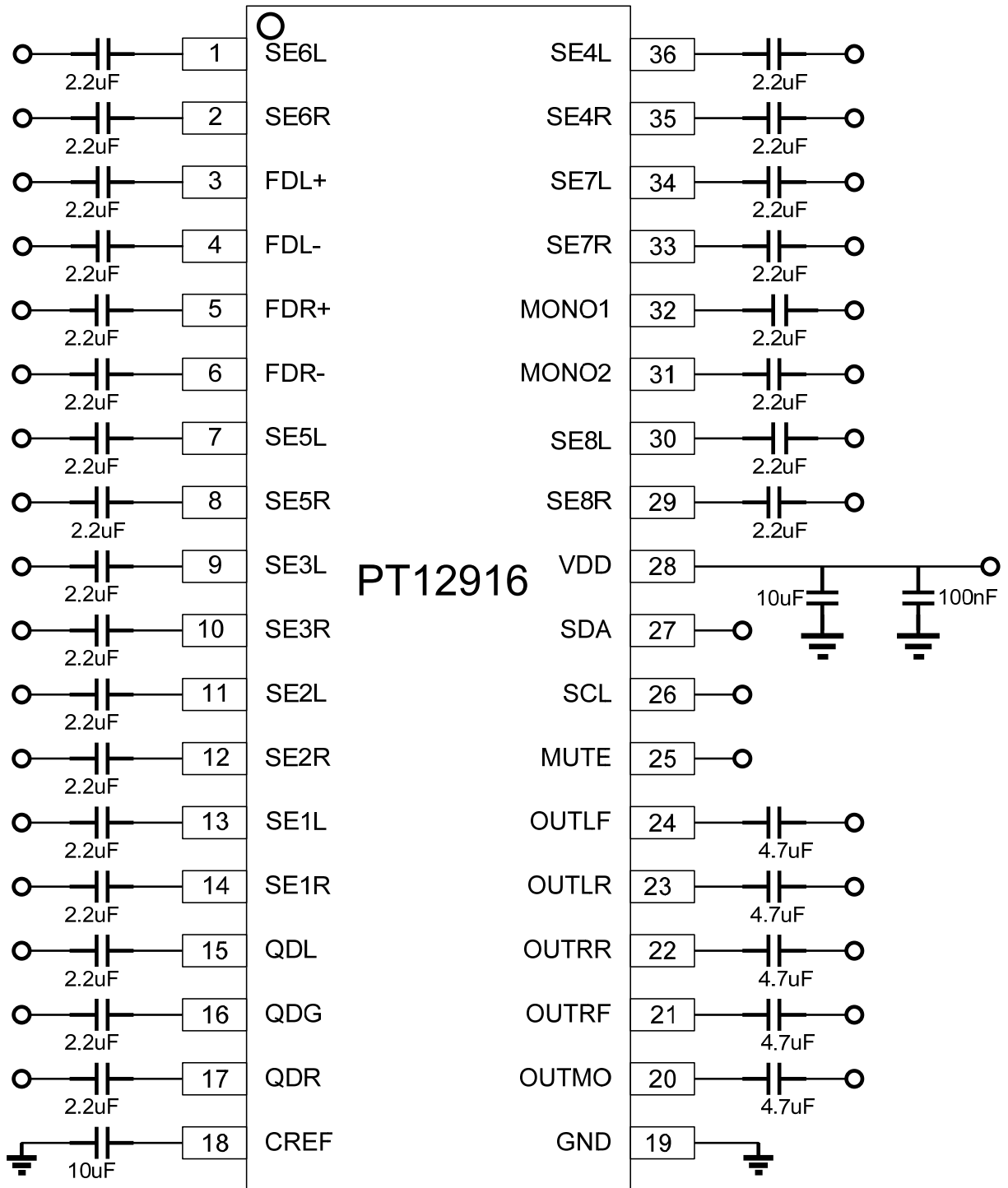
- Controlled by I<sup>2</sup>C Bus Micro-Processor Interface
- Input Gain from 0 to +15dB with 1dB/step

- 8 stereo Inputs for audio sources
- 1 Quasi-Differential input for external auxiliary input.
- 1 Fully-Differential input for auxiliary input or disc changer.
- 2 mono mixing inputs for GPS navigation system and mobilephone.
- 2 Channels electronic volume with soft step, from +15 to -79dB with 1dB/step
- Soft mute
- 1 mono output with soft step volume for subwoofer, from +15 to -79dB with 1dB/step
- 3 band equalizer with gain, Q-factor and center frequency programmable, bass and middle band with soft step gain.
- Frequency and gain programmable loudness : 0 to -15dB with 1dB/step and soft step
- 4 independent speaker outputs volume with soft step: from +15 to -79dB with 1dB/step
- 36-pin SSOP package

## BLOCK DIAGRAM



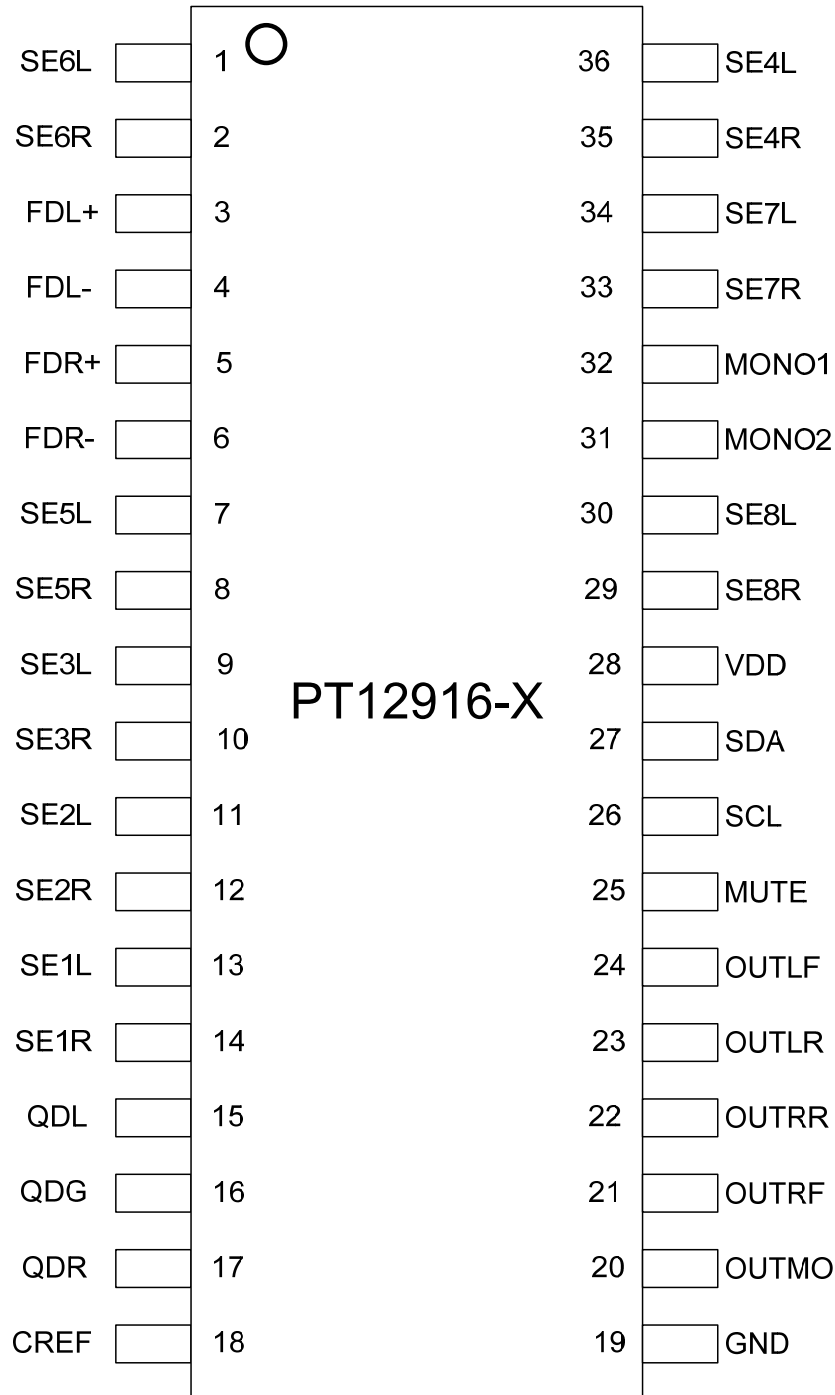
# APPLICATION CIRCUIT



## ORDER INFORMATION

Part Number	Package Type	Top Code
PT12916	36 Pins, SSOP, 300mil	PT12916-X

## PIN CONFIGURATION



## **IMPORTANT NOTICE**

Princeton Technology Corporation (PTC) reserves the right to make corrections, modifications, enhancements, improvements, and other changes to its products and to discontinue any product without notice at any time.

PTC cannot assume responsibility for use of any circuitry other than circuitry entirely embodied in a PTC product. No circuit patent licenses are implied.

Princeton Technology Corp.  
2F, 233-1, Baociao Road,  
Sindian, Taipei 23145, Taiwan  
Tel: 886-2-66296288  
Fax: 886-2-29174598  
<http://www.princeton.com.tw>