

## DESCRIPTION

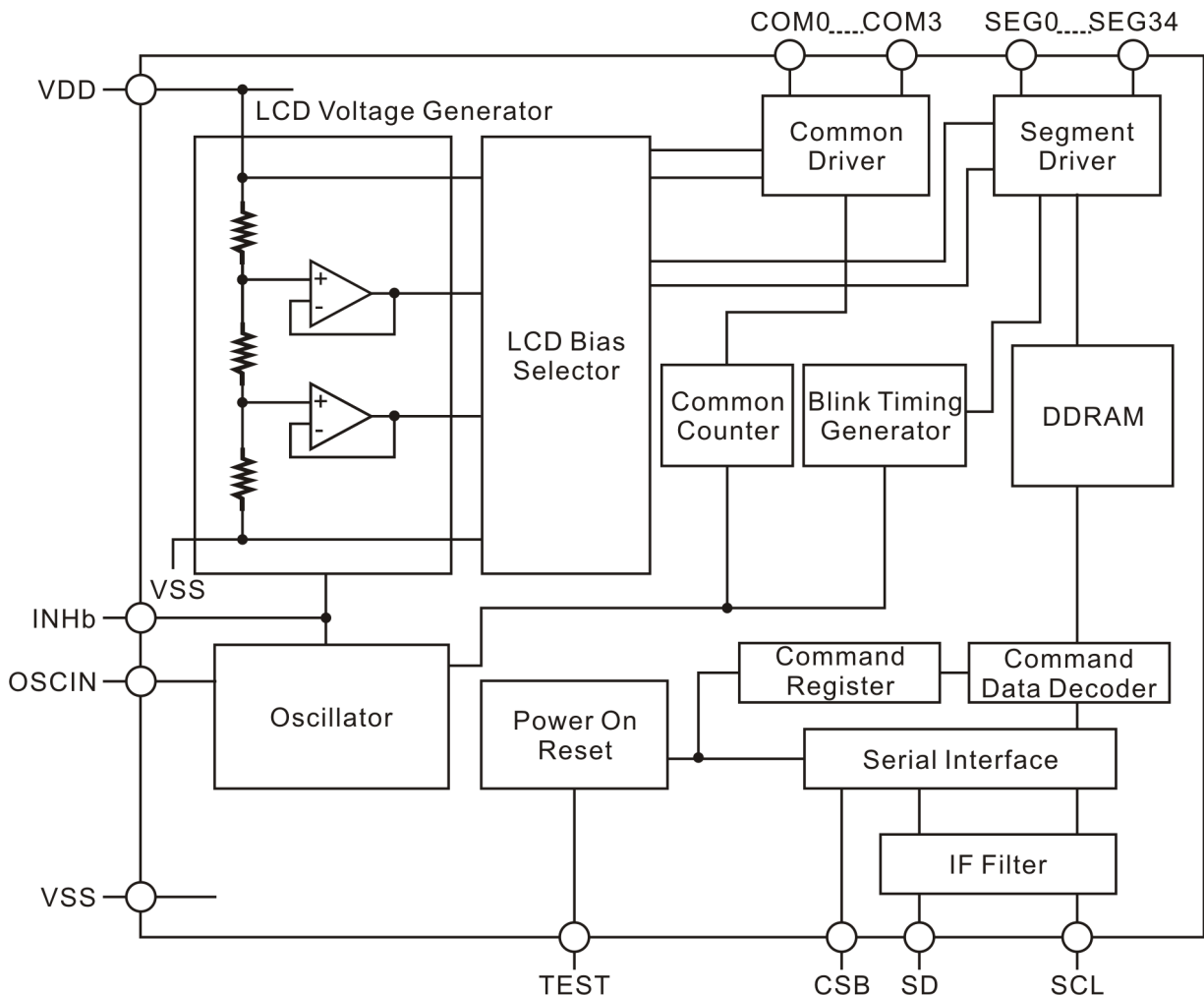
PT6595 is an LCD segment driver 140 segment (SEG35 x COM4).

## FEATURES

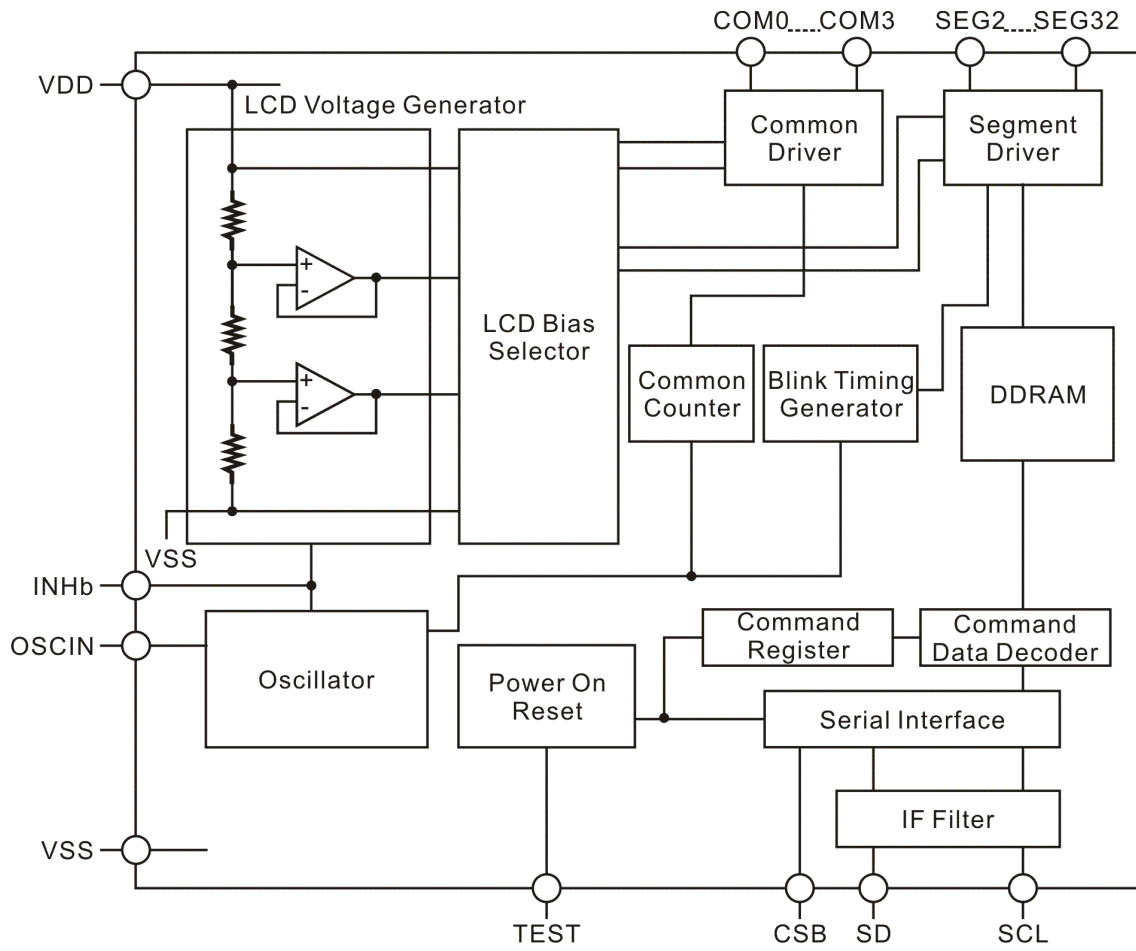
- 3wire serial interface
- Integrated RAM for display data (DDRAM): 35 x 4 bits (Max. 140 Segment)
- LCD driving port: 4 Common output, Segment: 35 output (PT6595, LQFP), 31 output (PT6595, BGA)
- Integrated Buffer AMP for LCD driving power supply
- Display Duty 1/4
- 1/2bias, 1/3bias selectable
- No external components
- Low power/ Ultra low power consumption design
- Operating power supply: 2.7 ~ 3.6V
- Package: 48-pin, LQFP  
48-pin, BGA

## BLOCK DIAGRAM

### LQFP



**BGA**

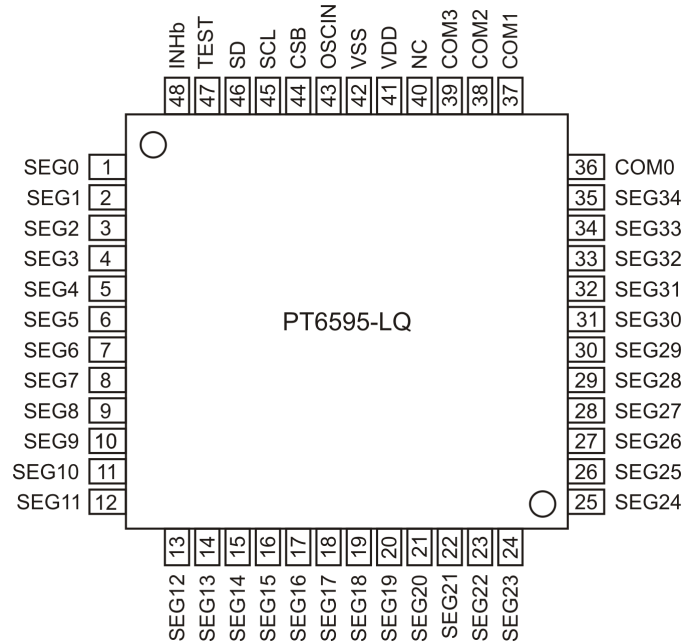


## ORDER INFORMATION

Valid Part Number	Package Type	Top Code
PT6595-LQ	48 Pins, LQFP	PT6595-LQ
PT6595	48 Pins, BGA	PT6595

## PIN CONFIGURATION

### LQFP



### BGA

	1	2	3	4	5	6	7
G	(NC)	SEG13	SEG15	SEG18	SEG20	SEG22	(NC)
F	SEG11	SEG12	SEG16	SEG17	SEG21	SEG23	SEG24
E	SEG9	SEG10	SEG14	SEG19	SEG25	SEG27	SEG26
D	SEG7	SEG6	SEG8	SEG5	SEG30	SEG28	SEG29
C	SEG4	SEG3	SEG2	CSB	COM3	SEG32	SEG31
B	X	INHb	SD	VSS	VDD	COM1	COM0
A	(NC)	TEST	SCL	OSCIN	(NC)	COM2	(NC)

## PIN DESCRIPTION

Pin Name	I/O	Description	Pin No.
SEG0 ~ SEG34	O	Segment output for LCD driver	1 ~ 35
COM0 ~ 3	O	Common output for LCD driver	36 ~ 39
NC	-	No connection	40
VDD	-	Power supply	41
VSS	-	Ground pin	42
OSCIN	I	External clock input External clock and Internal clock can be selected by command . Must be connect to VSS when use internal oscillation circuit.	43
CSB	I	Chip select: "L" active	44
SCL	I	Serial data transfer clock	45
SD	I	Serial data input	46
TEST	I	Test input (Testing Use) Must be connect to VSS	47
INHb	I	Input terminal for turn off display H: turn on display L: turn off display	48

## BGA

Pin Name	I/O	Description
SEG2 ~ SEG32	O	Segment output for LCD driver
COM0 ~ COM3	O	Common output for LCD driver
NC	-	No Connection
VDD	-	Power supply
VSS	-	Ground pin
OSCIN	I	External clock input External clock and Internal clock can be selected by command. Must be connect to VSS when use internal oscillation circuit.
CSB	I	Chip select: "L" active
SCL	I	Serial data transfer clock
SD	I	Serial data input
TEST	I	Test input (Testing Use) Must be connect to VSS
INHb	I	Input terminal for turn off display H: turn on display L: turn off display

## **IMPORTANT NOTICE**

Princeton Technology Corporation (PTC) reserves the right to make corrections, modifications, enhancements, improvements, and other changes to its products and to discontinue any product without notice at any time.

PTC cannot assume responsibility for use of any circuitry other than circuitry entirely embodied in a PTC product. No circuit patent licenses are implied.

Princeton Technology Corp.  
2F, 233-1, Baociao Road,  
Sindian Dist., New Taipei City 23145, Taiwan  
Tel: 886-2-66296288  
Fax: 886-2-29174598  
<http://www.princeton.com.tw>