

FEATURES

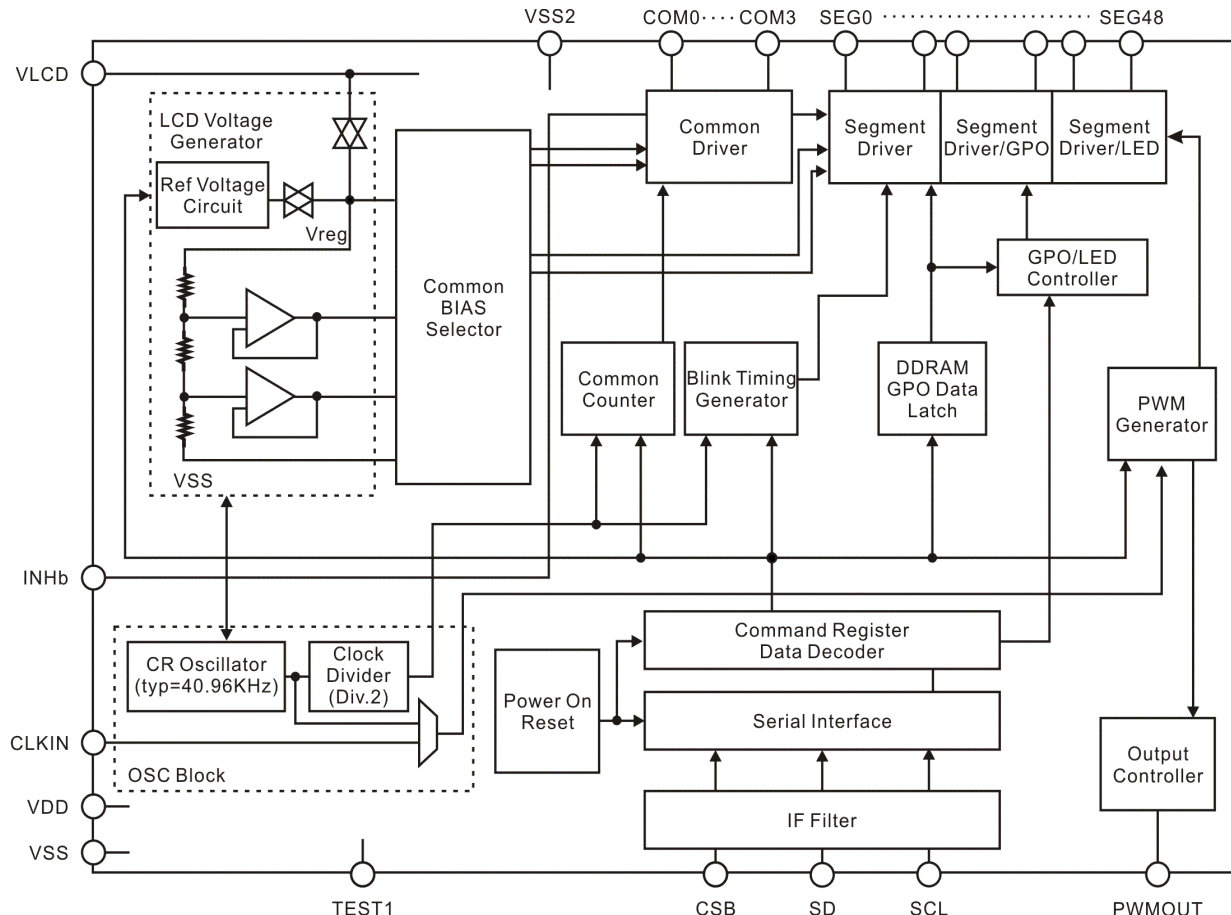
- LCD drive output: Common output: 4, Segment output : 49
- Integrated Display data RAM (DDRAM): RAM:49x4 bit
- Integrated 3ch LED driver circuit
- 3-wire Serial interface (SD, SCL, CSB)
- Segment/LED (Max 3 ports) output mode selectable
- Segment/GPO (Max 31 ports) output mode selectable
- Support PWM generation from ext. or internal clock (Resolution: 8 bits mode/12 bits mode selectable)
- Integrated Oscillator circuit
- Integrated LCD Voltage generator circuit
- Support: 1/3 Bias, 1/3 or 1/4 Duty
- Support: 1/1 Bias, 1/1Duty (Static Driving)
- Bias: Static, 1/3
- Integrated regulator for LCD driver: 3.2, 3.3, 3.4, 4.4, 4.5, 4.6, 5.0V selectable

- Integrated buffer amp
- Support separate power supply for Logic (VDD) and LCD (VLCD)
- Low power consumption
- Support standby mode
- Integrated Power-On-Reset circuit (POR)
- No external components
- Support Blink function (Blink frequency 1.6, 2.0, 2.6, 4.0Hz selectable)
- Operating power supply: 1.8 ~ 3.6V
- LCD drive power supply: 3.3 ~ 5.5V

APPLICATIONS

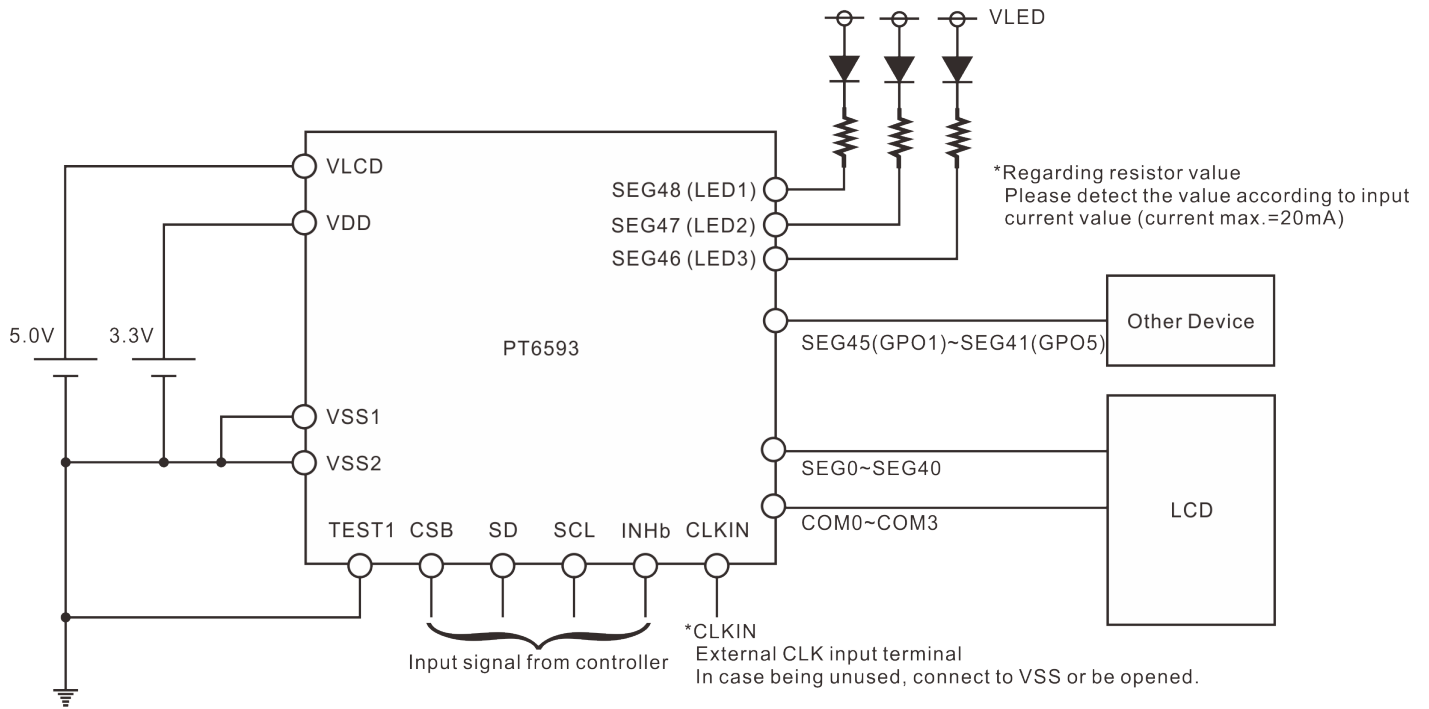
- Telephone, FAX, Portable equipment (POS, ECR, PDA etc.)
- DSC, DVC, Car audio, Home electrical appliance, Meter equipment etc.

BLOCK DIAGRAM

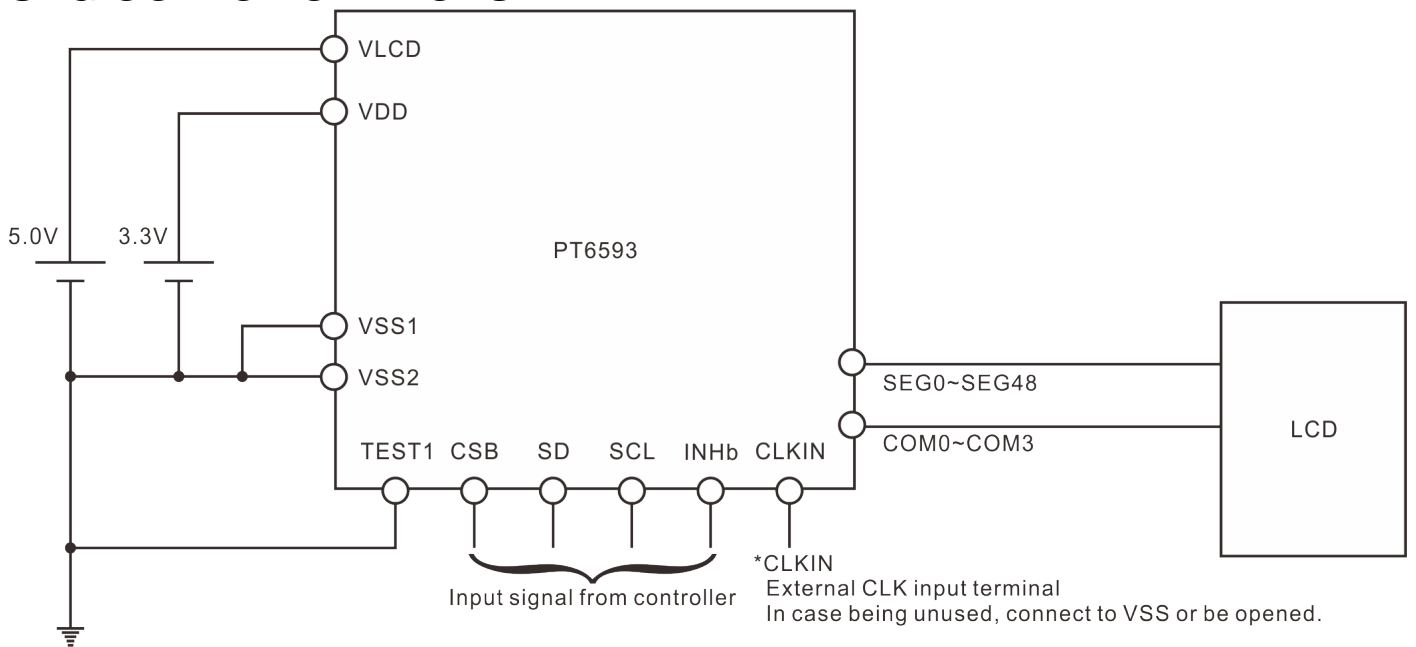


APPLICATION CIRCUIT

LED/GPO USING CASE



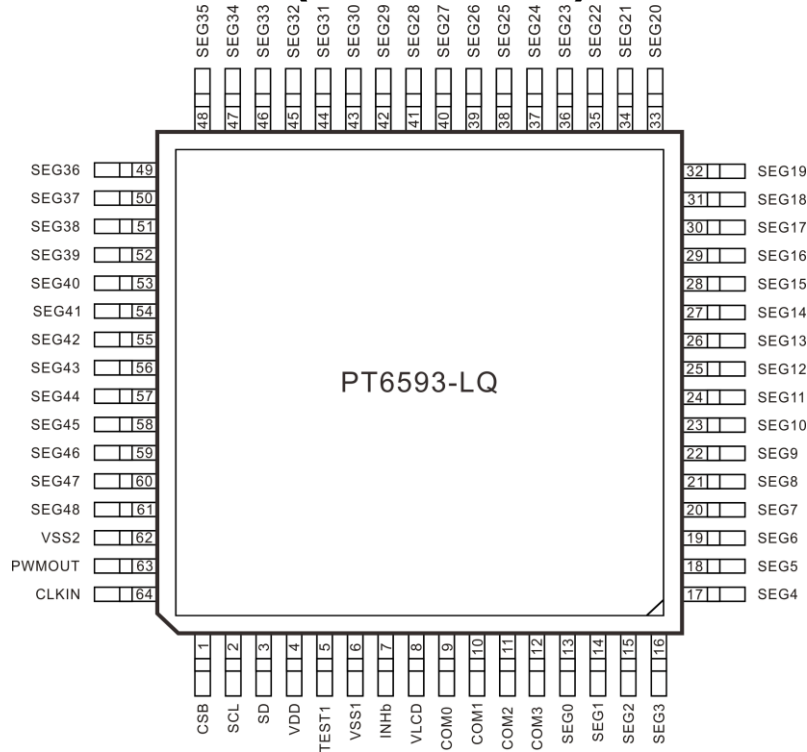
SEG OUTPUT ONLY CASE



ORDER INFORMATION

Valid Part Number	Package Type	Top Code
PT6593-LQ	64 Pins, LQFP	PT6593-LQ

PIN CONFIGURATION (TOP VIEW)



PIN DESCRIPTION

Pin Name	I/O	Unused case	Description	Pin No.
CSB	I	-	Chip select: "L" active	1
SCL	I	-	Serial data transfer clock	2
SD	I	-	Input serial data	3
VDD	-	-	Power supply for LOGIC	4
TEST1	I	-	Test terminal (Please connect VSS terminal)	5
VSS1	-	GND	GND	6
INHb	I	VDD	Display turning on/off select terminal H: turning on display, L: turning off display INHb="L": All SEG/COM terminal: output VSS level GPO terminal: output VSS level LED drive terminal: output Hi-Z	7
VLCD	-	-	Power supply for LCD	8
COM0~COM3	O	OPEN	COMMON output for LCD	9~12
SEG0~SEG14	O	OPEN	SEGMENT output for LCD	13~27
SEG15~SEG45	O	OPEN	SEGMENT output for LCD/GPO	28~58
SEG46~SEG48	O	OPEN	SEGMENT output for LCD/LED driver	59~61
VSS2	-	GND	GND(for SEG46~48/LED driver)	62
PWMOUT	O	OPEN	PWM Output for LED2 group	63
CLKIN	I	OPEN/VSS	External clock input terminal (for display/PWM using selectable) The internal pull down resistor is activated at internal clock mode	64

IMPORTANT NOTICE

Princeton Technology Corporation (PTC) reserves the right to make corrections, modifications, enhancements, improvements, and other changes to its products and to discontinue any product without notice at any time.

PTC cannot assume responsibility for use of any circuitry other than circuitry entirely embodied in a PTC product. No circuit patent licenses are implied.

Princeton Technology Corp.
2F, 233-1, Baociao Road,
Sindian Dist., New Taipei City 23145, Taiwan
Tel: 886-2-66296288
Fax: 886-2-29174598
<http://www.princeton.com.tw>