

DESCRIPTION

PT16580 is an LCD Driver IC which can drive up to 200 segments. It can be used for frequency display in microprocessor-controlled radio receiver and in other display applications. PT16580 supports both 1/3 duty, and 1/4 duty drive. Pin assignment and application circuit are optimized for easy PCB layout and cost saving advantages.

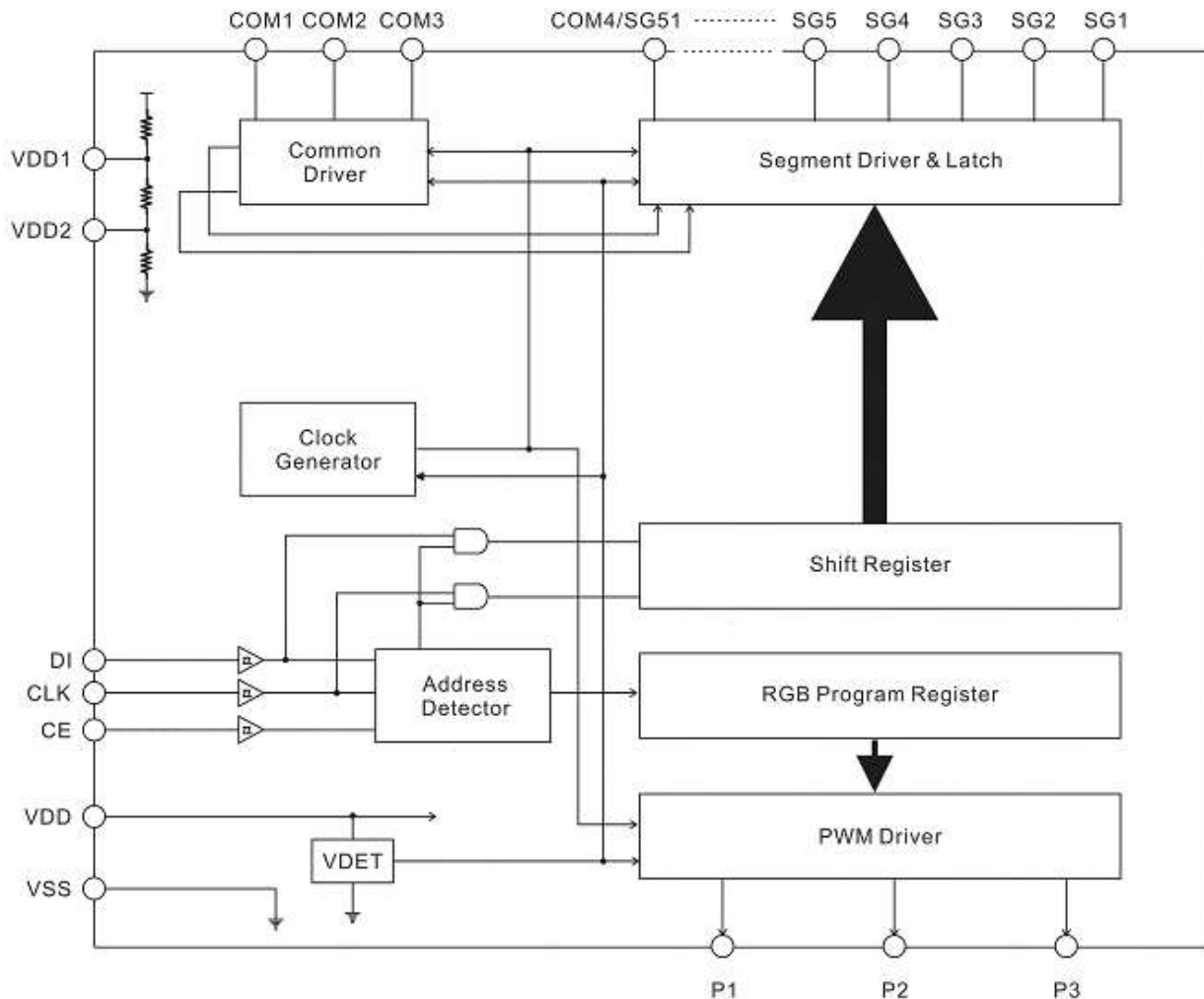
APPLICATION

- Electronic equipment with LCD display

FEATURES

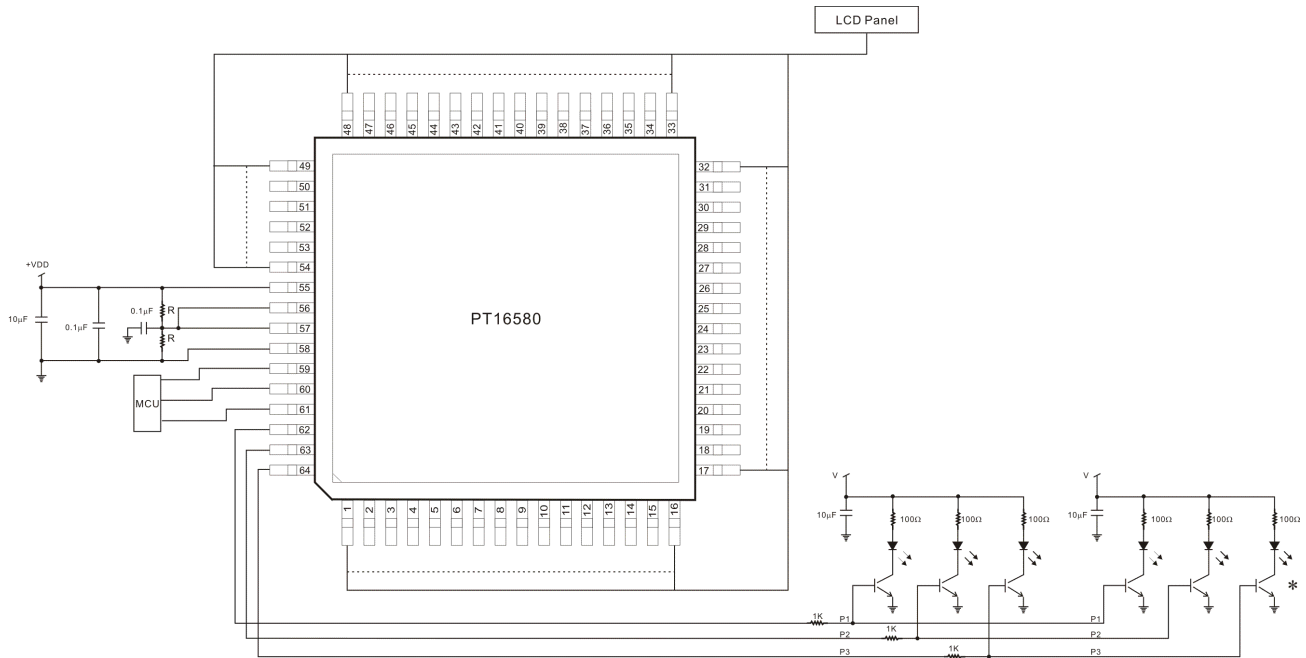
- CMOS technology
- Up to 153 segments for 1/3 duty and 200 segments for 1/4 duty drive can be displayed
- 1/3 Duty - 1/2 Bias and 1/3 Duty - 1/3 Bias drive techniques
- 1/4 Duty - 1/2 Bias and 1/4 Duty - 1/3 Bias drive techniques
- Power saving mode and all segments OFF function
- Direct display of display data without using a decoder
- RC oscillation circuit
- Power supply voltage: 4.5V to 6V
- CMOS/TTL compatible logic input pins
- LCD drive bias voltage can be provided internally or externally
- On-Chip voltage detection type reset circuit
- Programmable PWM signal output pins
- Available in 64 pins LQFP

BLOCK DIAGRAM



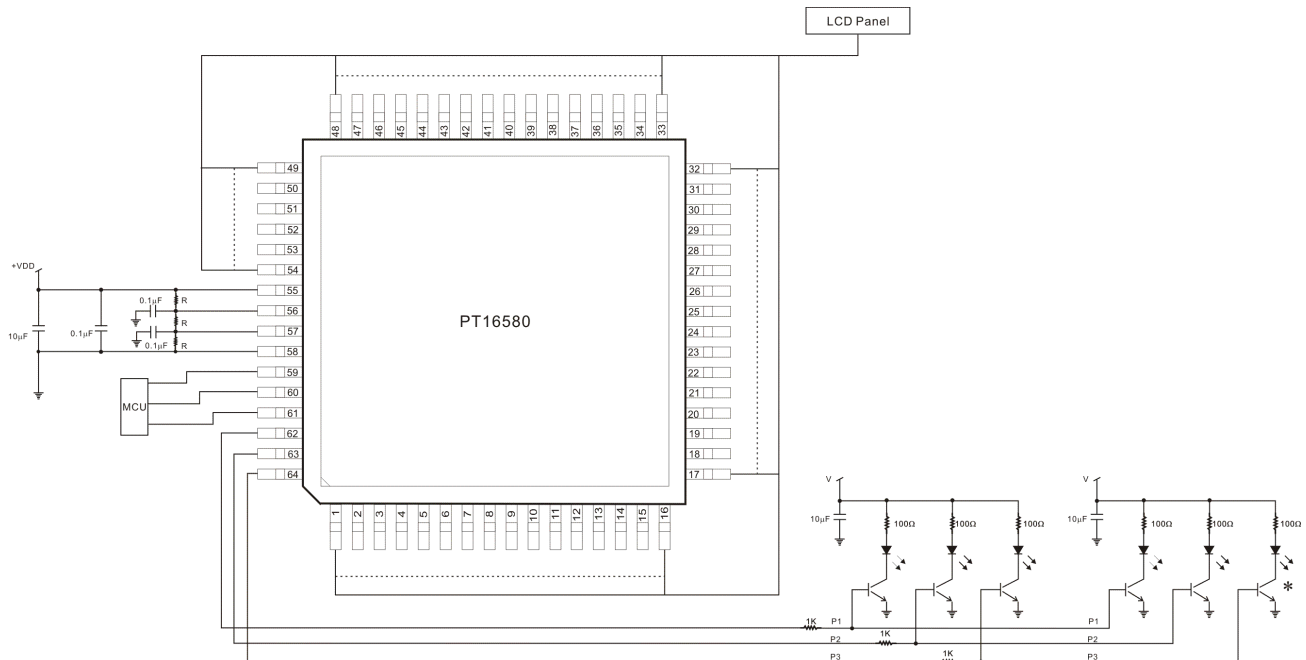
APPLICATION CIRCUIT 1

1/2 BIAS (FOR NORMAL PANEL)



- Notes:
1. $10K\Omega \geq R \geq 1K\Omega$
 2. *=Please select the suitable transistor

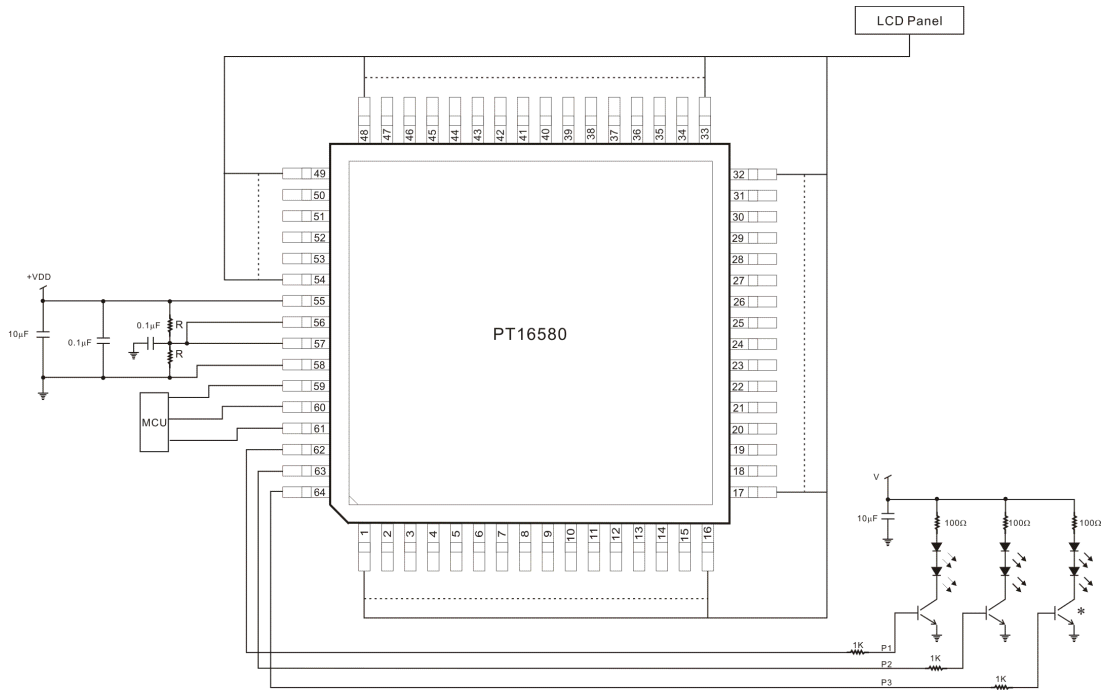
1/3 BIAS (FOR NORMAL PANELS)



- Notes:
1. $10K\Omega \geq R \geq 1K\Omega$
 2. *=Please select the suitable transistor

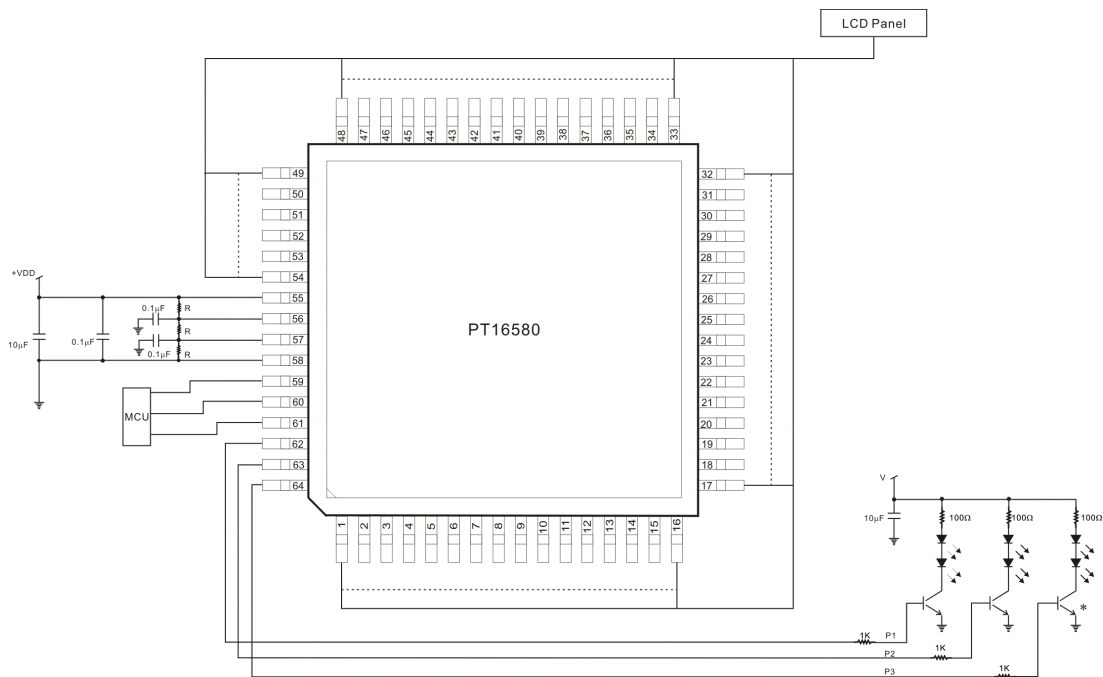
APPLICATION CIRCUIT 2

1/2 BIAS (FOR NORMAL PANEL)



- Notes:
1. $10K\Omega \geq R \geq 1K\Omega$
 2. *=Please select the suitable transistor

1/3 BIAS (FOR NORMAL PANELS)



- Notes:
1. $10K\Omega \geq R \geq 1K\Omega$
 2. *=Please select the suitable transistor

ORDER INFORMATION

Valid Part Number	Package Type	Top Code
PT16580-LQ	64 Pins, LQFP	PT16580-LQ

PIN CONFIGURATION

