



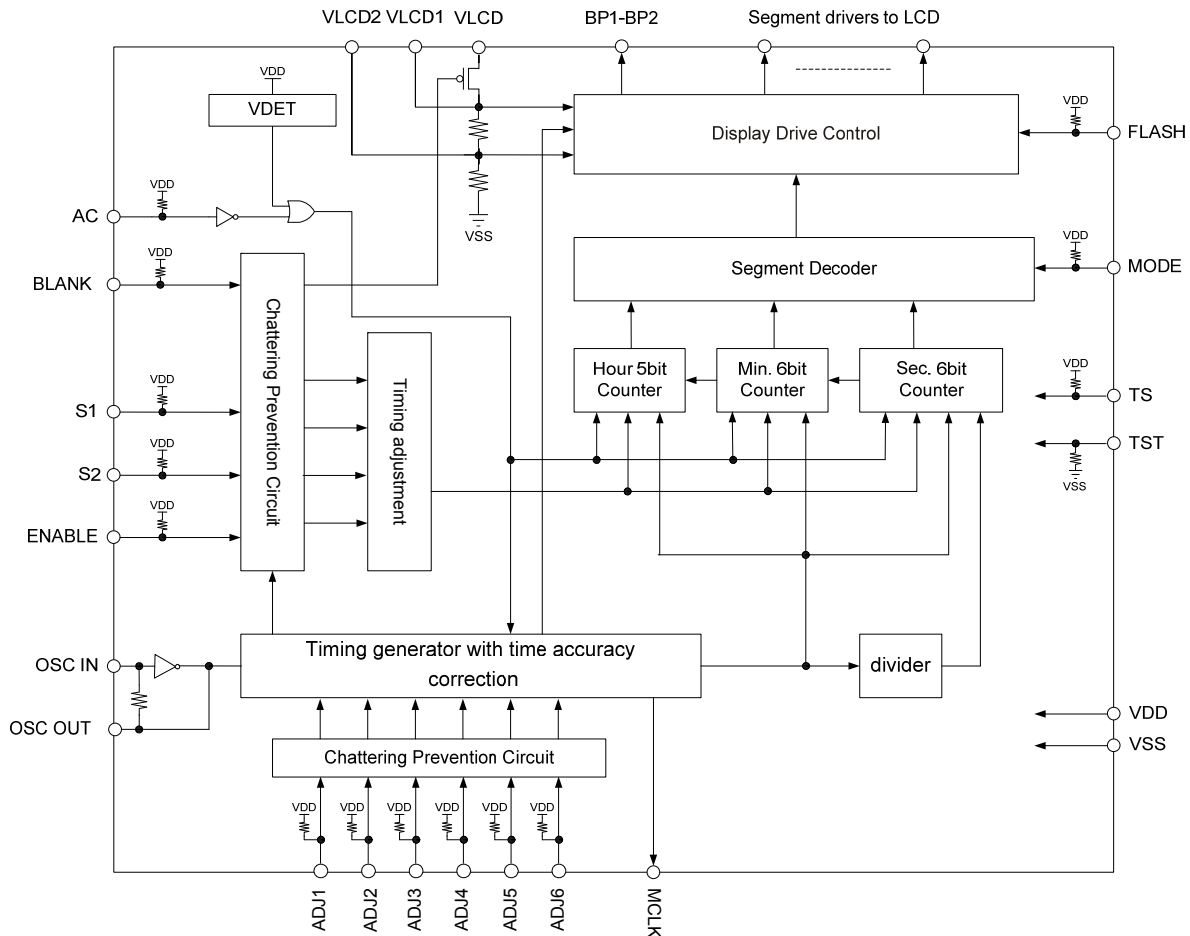
DESCRIPTION

PT16598 is an automotive digital clock CMOS LSI. It drives LCD panel directly. It can be driven by a 4.194304MHz crystal oscillator. And provide the 12/24 hour display system.

FEATURES

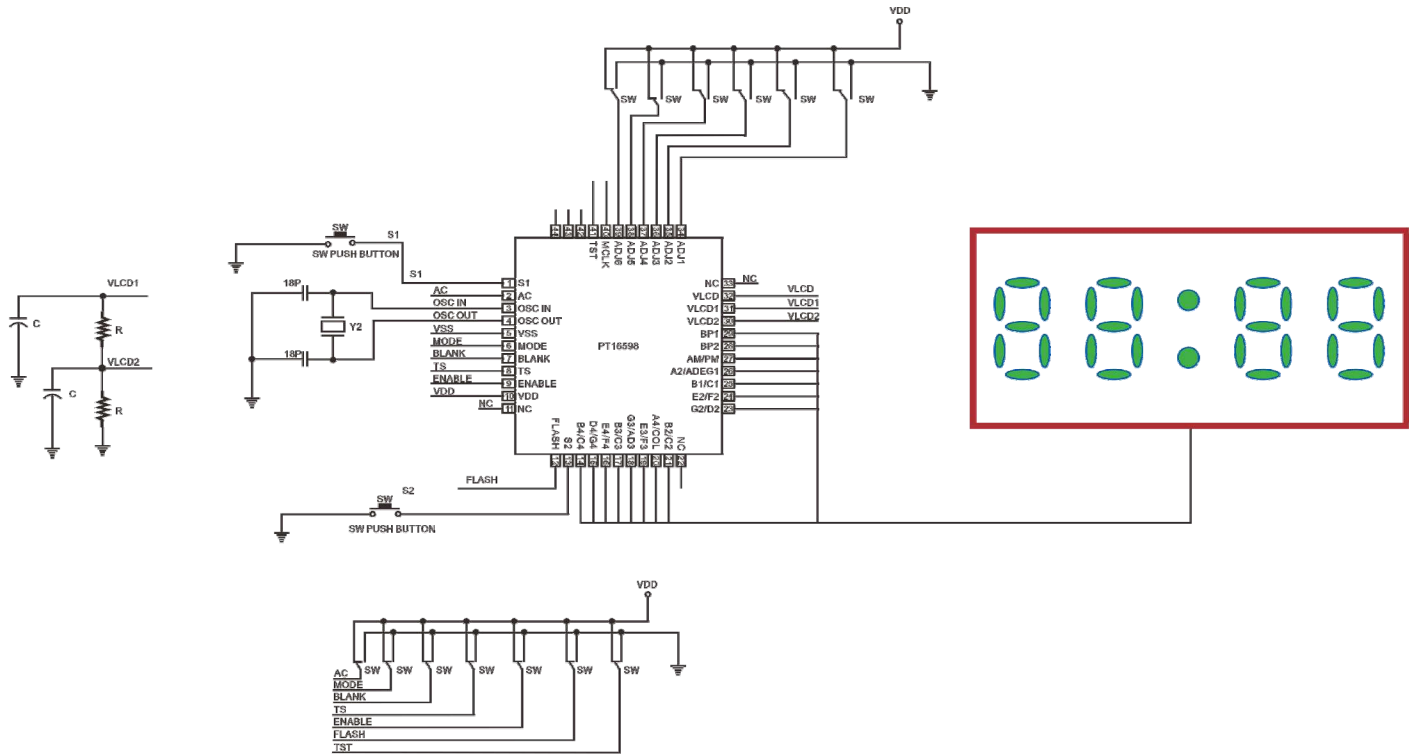
- 1/2 Duty – 1/2 Bias Drive Technique
- 4.194304MHz crystal oscillator
- Hour and Minutes setting
- 12/24 hour time display mode
- 8Hz signal output
- Internal VDET (Voltage Detection Type Reset Circuit)
- Time accuracy correction
- Power supply voltage: 2.4V to 5.5V
- 12/24 hour time display mode
- Operating temperature: -40~105°C
- Package: 44-LQFP

BLOCK DIAGRAM





APPLICATION CIRCUIT



Note:

R=1~10K

C=0.1~0.47μF

ORDER INFORMATION

Valid Part Number	Package Type	Top Code
PT16598-LQ	44-pin, LQFP	PT16598-LQ

PIN CONFIGURATION

