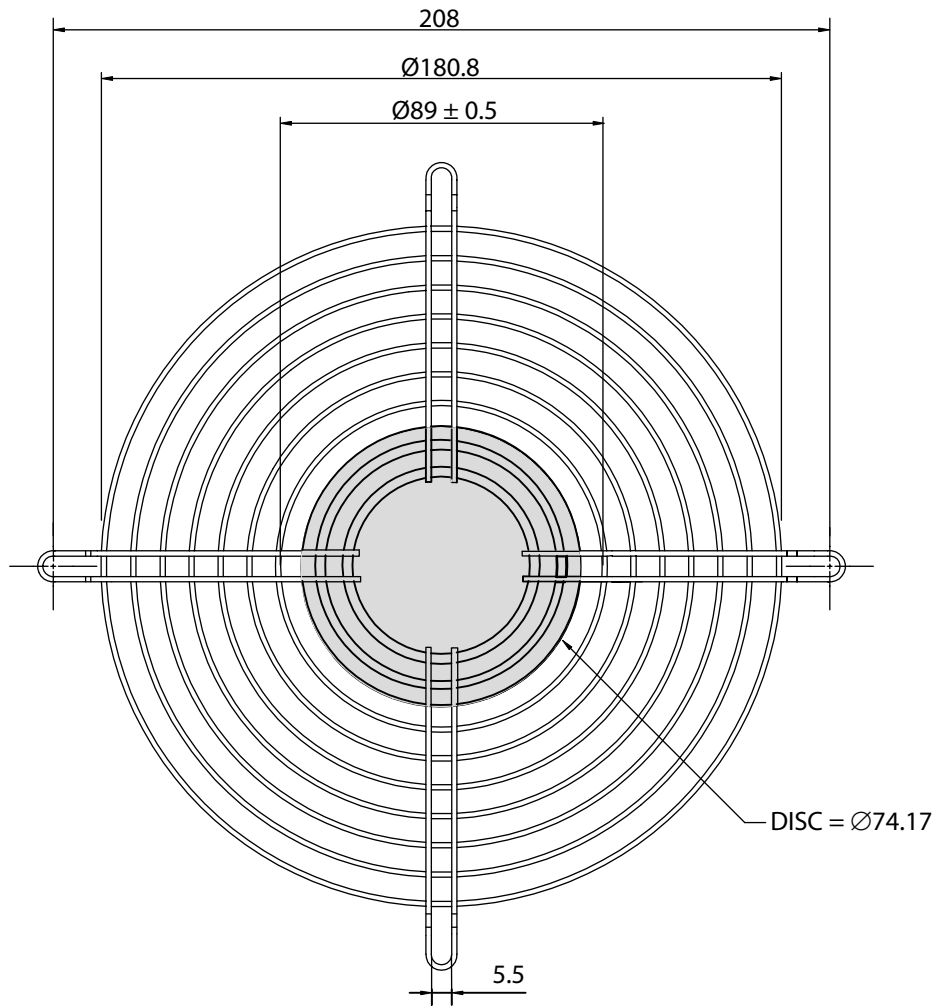


REVISION			
REV.	DESCRIPTION	DATE	APPROVED
B	RoHS Compliancy	06-01-06	DP



NOTES:

1. MATERIAL: SUS304 BRIGHT BASIC WIRE
2. FINISH: ELECTROLYSIS
3.  $0.35 \pm 0.05$  DEPTH OF SERRATIONS ON WIRE
4. RINGS:  $\text{Ø}1.6 \pm 0.1\text{mm}$   
RIBS:  $\text{Ø}1.6 \pm 0.1\text{mm}$   
DISC =  $\text{Ø}74.17$  T=0.8mm
5. GENERAL TOLERANCE UNLESS NOTED IS  $\pm 0.9\text{mm}$
6. RoHS COMPLIANT

**CONTROLLED**



THESE DRAWINGS ARE THE PROPERTY OF QUALTEK ELECTRONICS AND NOT TO BE REPRODUCED FOR OR COMMUNICATED TO A THIRD PARTY WITHOUT THE EXPRESS WRITTEN PERMISSION OF AN OFFICER OF QUALTEK ELECTRONICS.

Dim range (mm)	Tolerance +/- (mm)	Qualtek Electronics Corp. FAN-S DIVISION		
		Part Number:	08243-SS	RoHS Compliant
0-5	0.1	Description: WIRE FORM FAN GUARD (254mm)		
5-16	0.15			
16-64	0.2	UNIT: mm	REV: B	
64-250	0.4	Drawn / Date	Checked / Date	Approved / Date
250-1000	0.5	B. ZHANG 12-06-04	12-06-04	JJH / 12-06-04
1000-1500	1.0			