

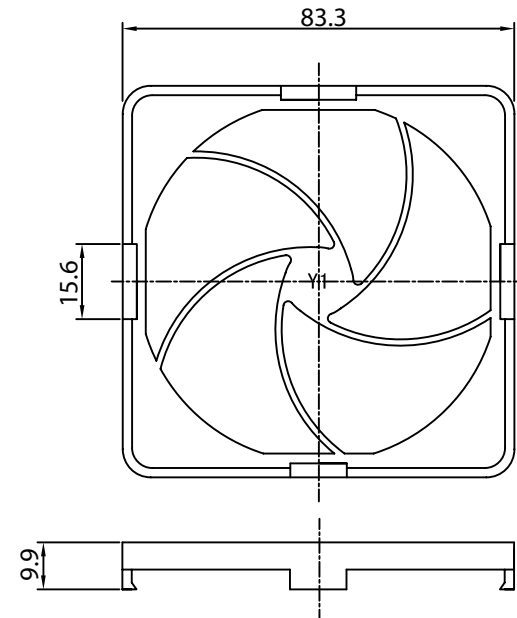
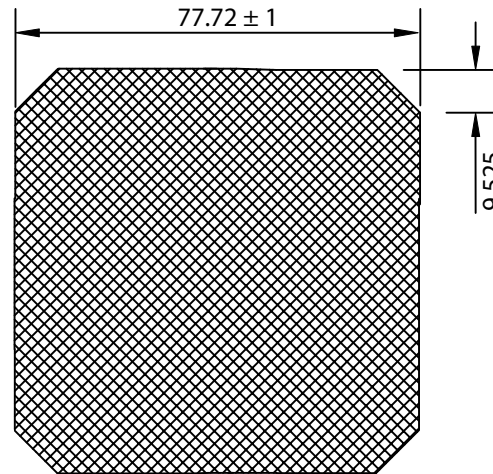
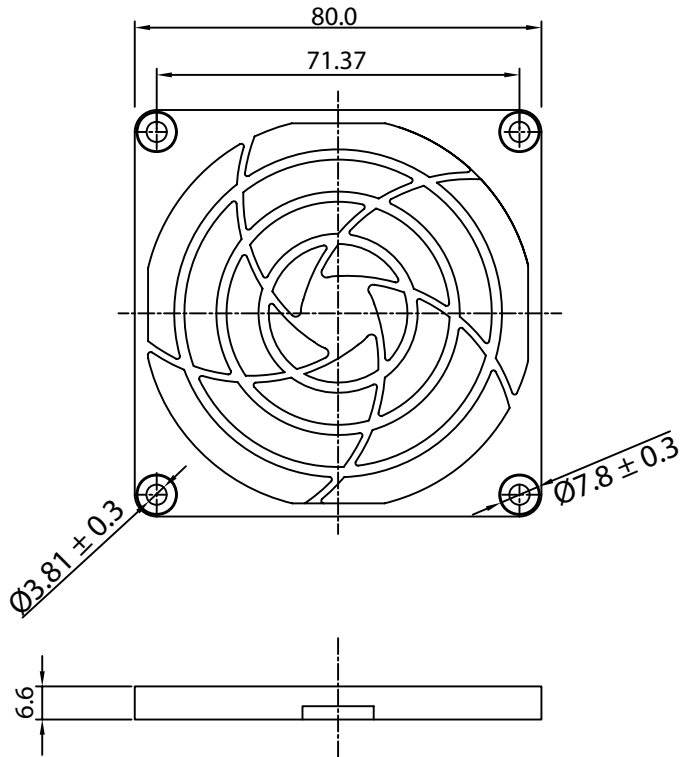
THESE DRAWINGS ARE THE PROPERTY OF QUALTEK ELECTRONICS AND NOT TO BE REPRODUCED FOR OR COMMUNICATED TO A THIRD PARTY WITHOUT THE EXPRESS WRITTEN PERMISSION OF AN OFFICER OF QUALTEK ELECTRONICS.

REVISION			
REV.	DESCRIPTION	DATE	APPROVED
B	RoHS Compliancy	06-01-06	DP
C	Updated Graphics and Dimensions	05-21-10	LY

FAN GUARD

MEDIA

RETAINER



NOTES:

MEDIA\* AVAILABLE IN:  
 XX=30 PPI \*\*  
 45 PPI \*\*  
 60 PPI \*\*  
 100 PPI \*\*  
 \* UL 900 CLASS II  
 \*\* Pores Per Inch  
 RoHS COMPLIANT

**CONTROLLED**

Dim range (mm)	Tolerance +/- (mm)	Qualtek Electronics Corp. FAN-S DIVISION		
		Part Number:	09325-F/XX	
		Description:	PLASTIC FAN FILTER ASSEMBLY	
0-5	0.1		UNIT: mm	REV: C
5-16	0.15			
16-64	0.2			
64-250	0.4			
250-1000	0.5	Drawn / Date	Checked / Date	Approved / Date
1000-1500	1.0	B. ZHANG 10-17-03	10-17-03	JJH / 10-17-03