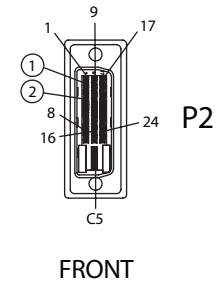
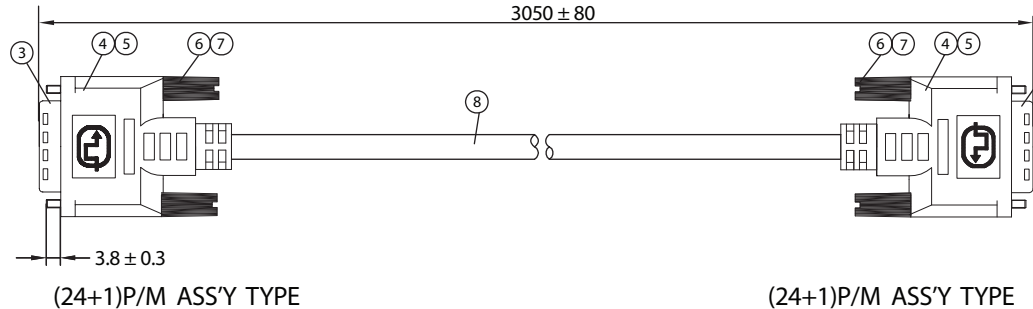
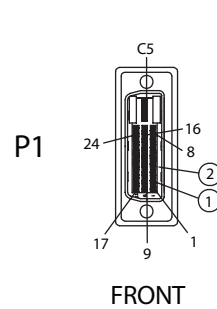
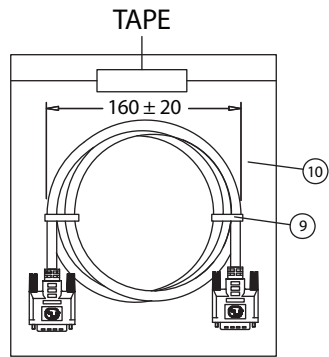


REVISION			
REV.	DESCRIPTION	DATE	APPROVED



P1		P2		PIN OUT			
1	WHITE	1	WHITE	17	WHITE	17	WHITE
2	ORANGE	2	ORANGE	18	YELLOW	18	YELLOW
3	DRAIN	3	DRAIN	19	DRAIN	19	DRAIN
4	WHITE	4	WHITE	20	WHITE	20	WHITE
5	BROWN	5	BROWN	21	GREEN	21	GREEN
9	WHITE	9	WHITE	22	DRAIN	22	DRAIN
10	BLACK	10	BLACK	23	WHITE	23	WHITE
11	DRAIN	11	DRAIN	24	RED	24	RED
12	WHITE	12	WHITE	SHELL	BRAID	SHELL	BRAID
13	BLUE	13	BLUE				

**NOTES:**

- CABLE: UL20276  
28AWGx1P+DW+FOIL)x7+28AWGx3C+28AWGx1P+MYLAR+FOIL+BD  
OUTER JACKET COLOR: BEIGE, OD: 8.5 ± 0.3mm  
PRINTING: E166307 AWM 20276 28AWG 80°C 30V VW-1  
LOW VOLTAGE COMPUTER CABLE
- CONNECTORS: DVI(24+1)P/M TO DVI(24+1)P/M
- HOOD: ASS'Y TYPE, COLOR: BEIGE
- ELECTRICAL TEST:  
<1>.100% OPEN SHORT & MISS WIRE TEST  
<2>.INSULATION RESISTANCE: DC400V 10M ohm MIN.  
<3>.CONDUCTOR RESISTANCE: 3 ohm MAX.
- PACKING: 1PC/POLYBAG

No.	PARTS NAME	SPECIFICATION STANDARD	QTY	REMARKS
①	DVI (24+1)P/M - CONTACT	BRASS / GOLD PLATED SOLDER TYPE	50	
②	DVI (24+1)P/M - INSULATOR	THERMOPLASTIC / BLACK UL94V-0	2	
③	DVI (24+1)P/M - SHELL	NICKEL PLATED	2	
④	CAN	STEEL TIN PLATED ID: 9.0mm	2	
⑤	DVI (24+1)P/M - COVER	45P PVC/COLOR: BEIGE	2	
⑥	THUMB SCREW	#4-40 2.8x45mm, NICKEL PLATED	4	
⑦	SCREW - MOLD	35P PVC / COLOR: BEIGE	4	
⑧	CABLE DVI 24+1 UL 20276	KL 3007ABK01A	1	
⑨	MINI TIE	PE/BLACK	2	
⑩	POLYBAG	0.08x220x260	1	

Dim range (mm)	Tolerance +/- (mm)	Qualtek Electronics Corp. WCI DIVISION		
		Part Number: 1321028-10		
0-1	0.15	Description: DVI (24+1)P/M - DVI (24+1)P/M		
1-6	0.20			
6-18	0.30			
18-50	0.50			
50-120	0.70			
120-250	0.90	Drawn / Date	Checked / Date	Approved / Date
250-500	1.20	B.Grubb 01-25-07	01-25-07	JJH / 01-25-07