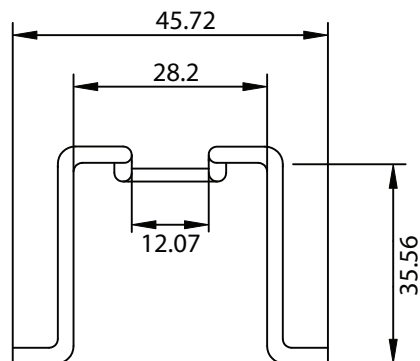
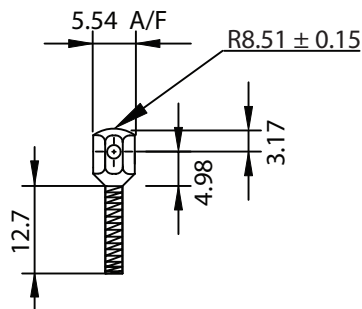


THESE DRAWINGS ARE THE PROPERTY OF QUALTEK ELECTRONICS AND NOT TO BE REPRODUCED FOR OR COMMUNICATED TO A THIRD PARTY WITHOUT THE EXPRESS WRITTEN PERMISSION OF AN OFFICER OF QUALTEK ELECTRONICS.

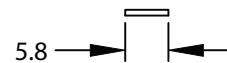
REVISION			
REV.	DESCRIPTION	DATE	APPROVED
B	RoHS Compliancy	06-01-06	DP



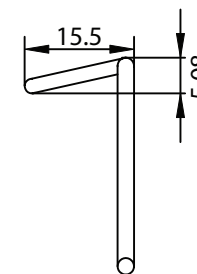
CLIP
1.82mm Dia. Stainless Steel Wire



SCREW
6 BA Brass, Nickel Plated



WASHER
26 S.W.G. Brass, Nickel Plated



HEX NUT
6 BA, .193 A/F x .100" Thick
Brass Nickel Plated

CONTROLLED

Dim range (mm)	Tolerance +/- (mm)	Qualtek Electronics Corp. PPC DIVISION		
		Part Number:	732-00/00	RoHS Compliant
0-1	0.15	Description: RETAINER CLIP KIT		
1-6	0.20		UNIT: mm	REV. B
6-18	0.30			
18-50	0.50	Drawn / Date	Checked / Date	Approved / Date
50-120	0.70	B.ZHANG 01-22-03	01-22-03	JJH / 01-22-03
120-250	0.90			
250-500	1.20			