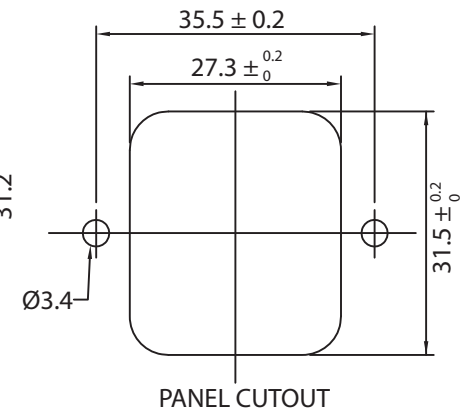
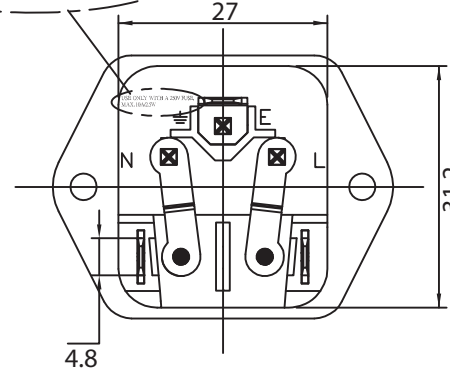
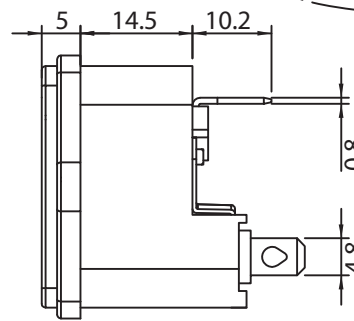
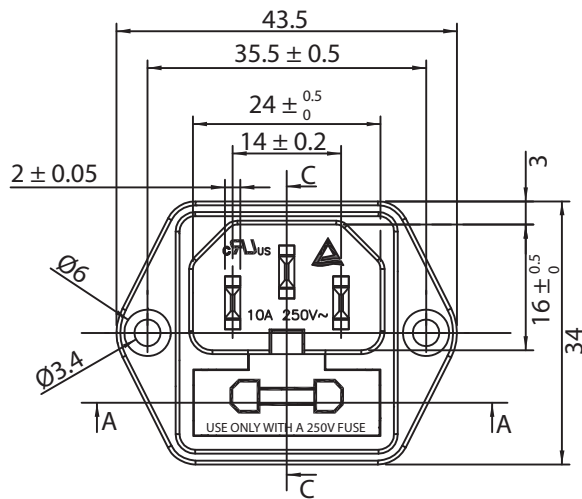
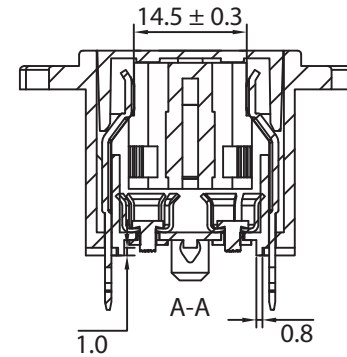
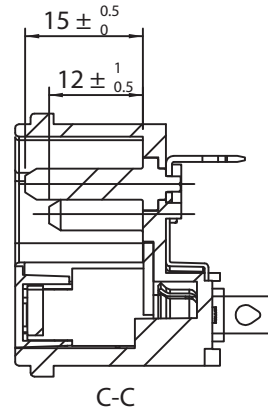
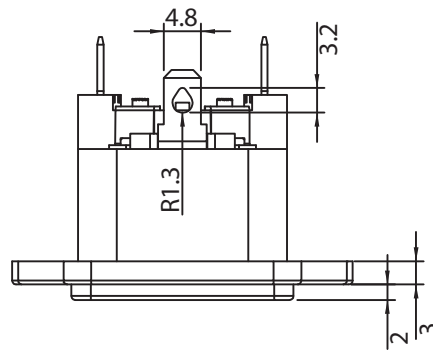


THESE DRAWINGS ARE THE PROPERTY OF QUALTEK ELECTRONICS AND NOT TO BE REPRODUCED FOR OR COMMUNICATED TO A THIRD PARTY WITHOUT THE EXPRESS WRITTEN PERMISSION OF AN OFFICER OF QUALTEK ELECTRONICS.

REVISION			
REV.	DESCRIPTION	DATE	APPROVED



CONTROLLED

NOTES:

RATING: 10A 250V AC
 APPROVALS: UL, cUL, TUV
 DUAL FUSEHOLDER
 FUSES NOT INCLUDED - RECOMMENDED SIZE: 5 X 20MM
 RoHS COMPLIANT

Dim range (mm)	Tolerance +/- (mm)	Qualtek Electronics Corp. PPC DIVISION		
0-1	0.30	Part Number:	719WA-00/48	
1-6	0.40	Description:	AC RECEPTACLE	
6-18	0.45		UNIT: mm	
18-50	0.50	Drawn / Date	Checked / Date	Approved / Date
50-120	0.70	R. Nuti 11-29-11	11-29-11	LY / 11-29-11
120-250	0.90			
250-500	1.20			