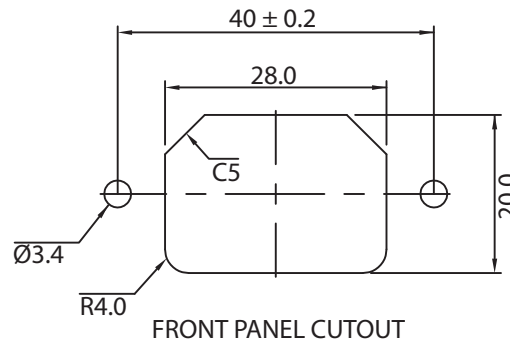
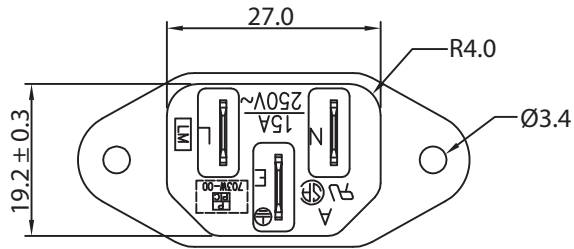
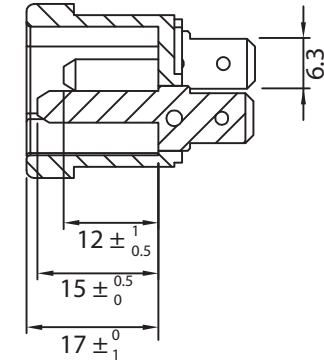
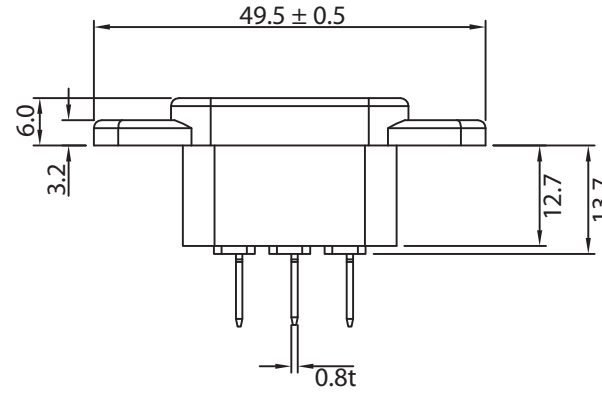
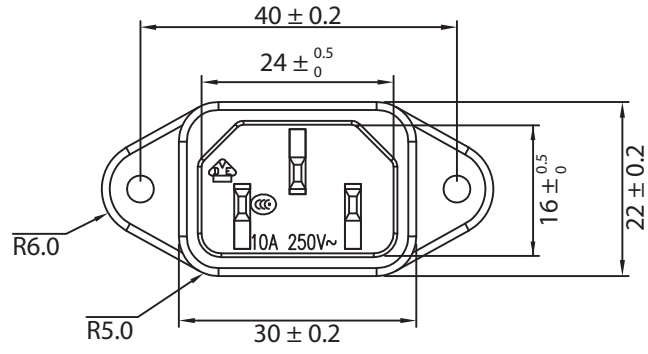
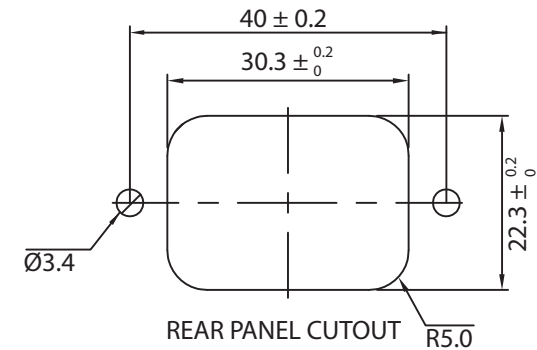


THESE DRAWINGS ARE THE PROPERTY OF QUALTEK ELECTRONICS AND NOT TO BE REPRODUCED FOR OR COMMUNICATED TO A THIRD PARTY WITHOUT THE EXPRESS WRITTEN PERMISSION OF AN OFFICER OF QUALTEK ELECTRONICS.

REVISION			
REV.	DESCRIPTION	DATE	APPROVED
B	RoHS Compliancy	06-01-06	DP
C	Updated Specifications	08-27-08	LY
D	Updated Specs and Approval	04-13-09	LY



FRONT PANEL CUTOUT



REAR PANEL CUTOUT

CONTROLLED

NOTES:

RATING:

UL, CSA: 15A 250VAC

VDE, CCC: 10A 250VAC

APPROVALS: UL, CSA, VDE, CCC

NONCOUNTERSINK

RoHS COMPLIANT

Dim range (mm)	Tolerance +/- (mm)	Qualtek Electronics Corp. PPC DIVISION		
		Part Number: 703W-00/04 RoHS Compliant		
0-1	0.15	Description: AC RECEPTACLE		
1-6	0.20			
6-18	0.30		UNIT: mm	REV. D
18-50	0.50			
50-120	0.70	Drawn / Date	Checked / Date	Approved / Date
120-250	0.90	B.ZHANG 09-21-00	09-21-00	JJH / 09-21-00
250-500	1.20			