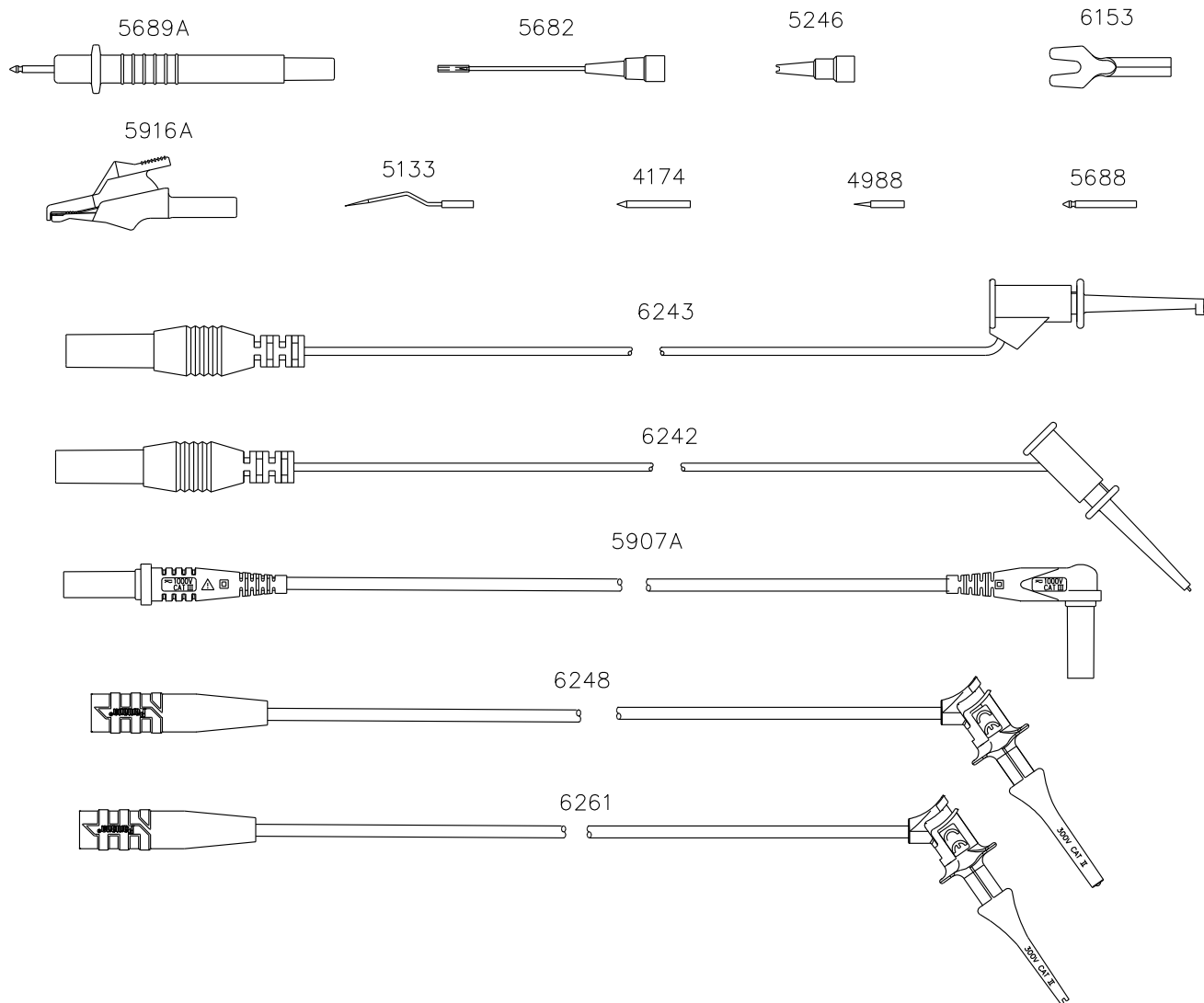


**Model 6171**  
**Test Companion Test Kit For Fluke 20 & 70 Series DMM's**



**MATERIALS**

Model **4174**: Probe Needle Tip; Stainless Steel Industrial Tip, with a sharp tapered Tip.

Model **4988**: Shoulder Micro Tips; Stainless Steel Tapered Tip for piercing conformal coating.

Model **5133**: Dog Leg Tip; Flexible to maintain contact with test points, sharp point for piercing surface contamination.

**USA:** Sales: 800-490-2361  
 Technical Support: [technicalsupport@pomonatest.com](mailto:technicalsupport@pomonatest.com)  
 Fax: 425-446-5844  
**Europe:** 31-(0) 40 2675 150 **International:** 425-446-5500  
**Where to Buy:** [www.pomonaelectronics.com](http://www.pomonaelectronics.com)

All dimensions are in inches. Tolerances (except noted): .xx = ±.02" (.51 mm), .xxx = ±.005" (.127 mm). All specifications are to the latest revisions. Specifications are subject to change without notice. Registered trademarks are the property of their respective companies.

**Model 6171**  
**Test Companion Test Kit For Fluke 20 & 70 Series DMM's**

Model **5246**: IC Test Tip Adapter: Insulation: Nylon, Tip: Stainless steel, Color: Black, Red, Green

**RATINGS**: +80°C. (+176°F.) Max.

Model: **5682**: Probe Extended Tip Adapter; Insulation: Nylon, Tip: Stainless steel, Color: Black, Red, Green, **RATINGS**: +80°C. (+176°F.) Max.

Model **5688**: Standard Brass Tips; Nickel Plated Brass Tip, grooved tip for better contact with test points.

Model **5689A**: Replaceable Tip Test Probe with Pop Jack, Body Material: Nylon, Pop Jack Receptacle: Female Pop Jack (Compatible to 5547-48 Test Leads), **RATINGS**: CAT II 600VRMS, 10 Amperes.

Model **5907A**: Test Lead Straight to Right Angle: Banana Spring: Nickel plated Beryllium Copper, Insulation—Polypropylene, fire retardant, UL94 V-O2, Wire: 48" silicone 18" AWG, Color: One Black, One Red, **RATINGS**: CAT III 1000 VRMS, 10 Amperes.

Model **5916A**: Medium Alligator Clip: Body—Steel, Nickel plated, Insulation – Polypropylene, fire retardant, UL94 V-2, Color: One Black, One Red, **RATINGS**: CAT I, 300 VRMS, 5 Amperes.

Model **6153**: Spade Lug: ETP 110 Copper, 1/2 Hard. Finish: Nickel Plated.

Model **6242**: SMD Grabber to POP Jack; Grabber: Nylon 6, Contact: Gold plated Beryllium Copper, Compression Spring: Music wire, Banana Jack: Body Nickel Plated Brass, Jack Spring: Nickel Plated Beryllium Copper, Insulation: PVC, Wire: 20 AWG, 41 x 36 Tinned Copper, PVC Jacket, Color: One Black and one Red. **RATINGS**: Operating Voltage: 150 VRMS, Maximum Current: 0.5 Amperes.

Model **6243**: Micro-grabber to POP Jack; Grabber: Nylon 6, Contact: Gold plated Beryllium Copper, Compression Spring: Music wire, Banana Jack: Body Nickel Plated Brass, Jack Spring: Nickel Plated Beryllium Copper, Insulation: PVC, Wire: 20 AWG, 41 x 36 Tinned Copper, PVC Jacket, Color: One Black and one Red. **RATINGS**: Maximum Voltage: 150 VRMS, Maximum Current: 3.0 Amperes.

Model **6248**: Minigrabber to Sheathed Banana Jack; Grabber: Body: Nylon 6 – Fire Retardant – UL94 V-O Rated, Color per part number, Hook: Beryllium Copper, Gold Plated, Compression Spring: Music Wire, Wire: 18 AWG, 192 x 41 bare copper, Silicone Insulation, O.D. 0.144" (3,66mm), Color per Part Number, Banana Jack: Body - Brass, Nickel Plated, Insulation - Nylon 6, Fire Retardant UL94 V-0 Rated, Color per part number, **RATINGS**: IEC 61010-031, Category II, Voltage: 300 VRMS/DC Max. Current: 5 Amperes Max.



**USA:** Sales: 800-490-2361  
Technical Support: [technicalsupport@pomonatest.com](mailto:technicalsupport@pomonatest.com)  
Fax: 425-446-5844

**Europe:** 31-(0) 40 2675 150 **International:** 425-446-5500  
**Where to Buy:** [www.pomonaelectronics.com](http://www.pomonaelectronics.com)

All dimensions are in inches. Tolerances (except noted): .xx = ±.02" (.51 mm), .xxx = ±.005" (.127 mm). All specifications are to the latest revisions. Specifications are subject to change without notice. Registered trademarks are the property of their respective companies.

**Model 6171**  
**Test Companion Test Kit For Fluke 20 & 70 Series DMM's**

Model **6261**: Minipincer to Sheathed Banana Jack; Grabber: Body: Nylon 6 – Fire Retardant – UL94 V-0 Rated, Color per part number, Pincer: Beryllium Copper, Gold Plated, Compression Spring: Music Wire, Wire: 18 AWG, 192 x 41 bare copper, Silicone Insulation, O.D. 0.144" (3,66mm), Color per Part Number, Banana Jack: Body – Brass, Nickel Plated Insulation - Nylon 6, Fire Retardant UL94 V-0 Rated, Color per part number.  
**RATINGS:** IEC 61010-031, Category II, Voltage: 300 VRMS/DC Max. Current: 5 Amperes Max.

**ORDERING INFORMATION**

Model 6171 (Includes a kit of items from above)

Replacement P/N's:

• Model <b>4174</b> : Probe Needle Tip; Stainless Steel Industrial Tip, with a sharp tapered Tip	• Model <b>4988</b> : Shoulder Micro Tips; Stainless Steel Tapered Tip for piercing conformal coating
• Model <b>5133</b> : Dog Leg Tip; Flexible to maintain contact with test points, sharp point for piercing surface contamination	• Model <b>5246</b> -*: IC Test Tip Adapter: Insulation
• Model: <b>5682</b> : Probe Extended Tip Adapter; Insulation	• Model <b>5688</b> : Standard Brass Tips; Nickel Plated Brass Tip, grooved tip for better contact with test points
• Model <b>5689A</b> : Replaceable Tip Test Probe with Pop Jack	• Model <b>5907A</b> : Test Lead Straight to Right Angle
• Model <b>5916A</b> : Medium Alligator Clip	• Model <b>6153</b> : Spade Lug
• Model <b>6242</b> : SMD Grabber to POP Jack; Grabber	• Model <b>6243</b> : Micrograbber to POP Jack; Grabber
• Model <b>6248-12</b> -*: Minigrabber to Sheathed Banana Jack; Grabber	• Model <b>6261-12</b> -*: Minipincer to Sheathed Banana Jack; Grabber: Body

\* = Standard Colors: -0 Black, -2 Red

**USA:** Sales: 800-490-2361  
Technical Support: [technicalsupport@pomonatest.com](mailto:technicalsupport@pomonatest.com)  
Fax: 425-446-5844

**Europe:** 31-(0) 40 2675 150 **International:** 425-446-5500

**Where to Buy:** [www.pomonaelectronics.com](http://www.pomonaelectronics.com)

All dimensions are in inches. Tolerances (except noted): .xx = ±.02" (.51 mm), .xxx = ±.005" (.127 mm). All specifications are to the latest revisions. Specifications are subject to change without notice. Registered trademarks are the property of their respective companies.