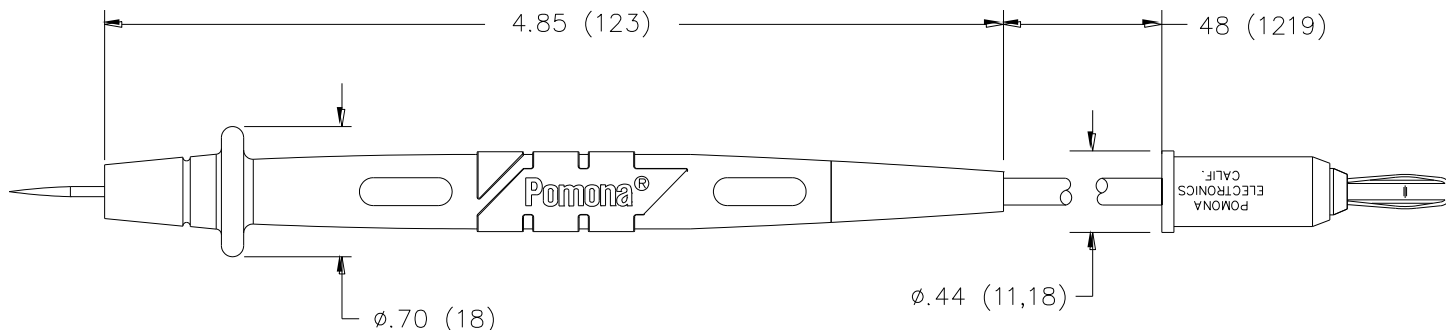


**Model 5950A**  
**Test Probe Set with Replaceable Tip****FEATURES**

- Replaceable tip probe set with sharp stainless steel tips included. (Other tips are available, see model 6475).
- Designed for DMM's with non-sheathed banana jacks.
- Also fits newer DMM's with safety-sheathed banana jacks.
- Thermoplastic elastomer outer coat provides comfortable grip and flexible strain relief.
- Tough polymer undercoat provides strength.
- Probe and banana plug are molded directly onto the wire for robust pull strength.
- Wire is a high-strand count silicone wire for extreme flexibility and high temperature resistance.
- Wear indication with double insulated (dual extruded) silicone leads shows white inner layer for increased safety.

**MATERIALS**

Probe:

Outer Insulation: Santoprene® rubber, color: gray

Inner Insulation: Polypropylene, color: one black, one red

Tip: stainless steel

Wire: 18 AWG, 192 x 41 bare copper, Silicone Insulation, O.D. 0.144" (3,66mm)

Banana Plug: Nickel-plated Brass

Spring – Nickel-plated Beryllium Copper

Plug Insulation: polypropylene, color: one black, one red

**RATINGS**

Operating Voltage:

For CE compliance and for personal safety, do not hold in hand when voltages exceed 30 Vrms/42.4 Vpk/60 Vdc or current exceeds 8A maximum. Maximum voltage for hands free use: 1000 V. Do not use on circuits where transient stresses can exceed the rated voltage.

Current: 5 Amperes Max.

**ORDERING INFORMATION**

Model 5950A

Includes a set of one black and one red test lead with two replaceable tips

**USA:** Sales: 800-490-2361  
Technical Support: [technicalsupport@pomonatest.com](mailto:technicalsupport@pomonatest.com)  
Fax: 425-446-5844

**Europe:** 31-(0) 40 2675 150 **International:** 425-446-5500

**Where to Buy:** [www.pomonaelectronics.com](http://www.pomonaelectronics.com)

All dimensions are in inches. Tolerances (except noted): .xx = ±.02" (.51 mm), .xxx = ±.005" (.127 mm). All specifications are to the latest revisions. Specifications are subject to change without notice. Registered trademarks are the property of their respective companies.