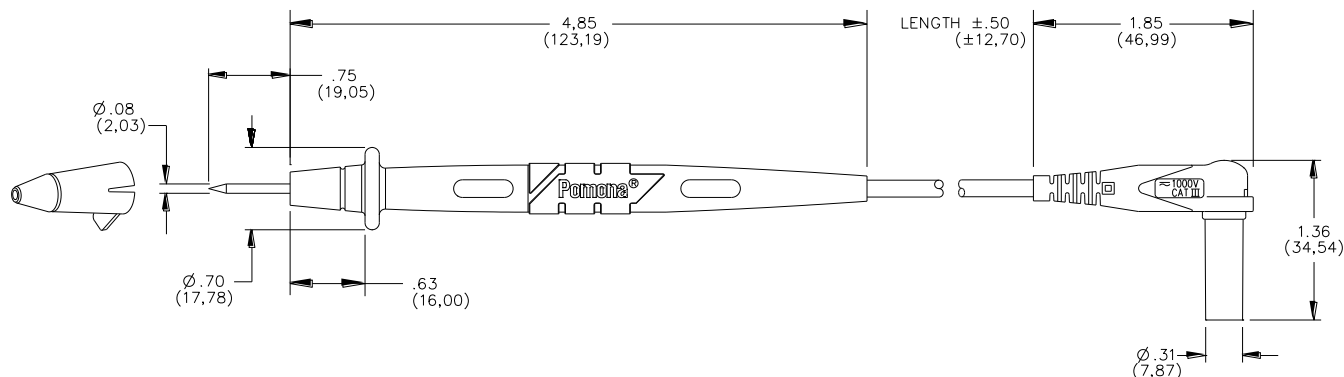


Model 5898 Replacement Test Lead Sets



FEATURES:

- Designed for Fluke, Amprobe, H-P, Tektronix and Wavetek DMM's with a safety style of sheathed banana plug.
- Probe body incorporates a two-step mold process. First step is Polypropylene for probe rigidity. Second step is Santoprene® rubber for handling comfort, added insulation protection and wire strain relief.
- Probe test leads are designed with over-voltage spike protection of up to 6kV.
- Probe body and banana plug are molded directly to the wire for robust pull strength.
- Wire is a high strand count silicone wire for extreme flexibility and high temperature resistance.
- Wear indication with double insulated (dual extruded) silicone leads shows white inner layer for increased safety.
- Stainless Steel tip features high conductivity for precision measurements.
- Banana plug spring is nickel-plated beryllium copper for long insertion life.



MATERIALS:

Probe Body: Outer Insulation – Santoprene® Rubber, Color: Gray
 Inner Insulation – Polypropylene, Fire Retardant, Color: One Black, One Red
 Tip – Stainless Steel

Wire: 18 AWG, 192 x 41 bare copper, Silicone Insulation, O.D. 0.144" (3,66mm). Length: 48" (122cm)

Banana Plug: Body – Brass, Nickel Plated
 Spring – Beryllium Copper, Nickel Plated

Insulation – Polypropylene UL94 V-2, Color: One Black, One Red

RATINGS:

Operating Voltage: IEC 61010-031, CAT III 1000 V (with protective cap), CAT II 1000 V (without protective cap)
 Current: 10 Amperes

ORDERING INFORMATION

Model 5898
 Includes a set of one black and one red test lead

USA: Sales: 800-490-2361
 Technical Support: technicalsupport@pomonatest.com
 Fax: 425-446-5844

Europe: 31-(0) 40 2675 150 International: 425-446-5500
 Where to Buy: www.pomonaelectronics.com

All dimensions are in inches. Tolerances (except noted): .xx = $\pm .02$ " (.51 mm), .xxx = $\pm .005$ " (.127 mm). All specifications are to the latest revisions. Specifications are subject to change without notice. Registered trademarks are the property of their respective companies.