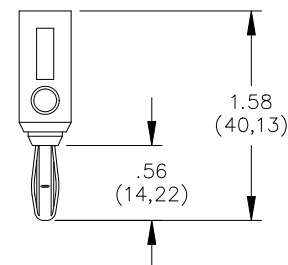
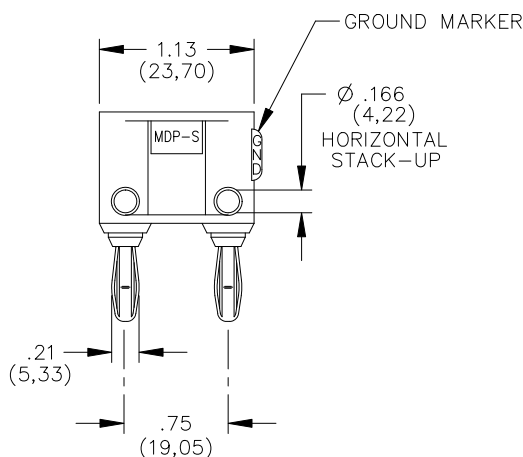
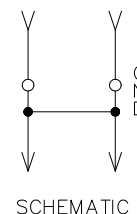
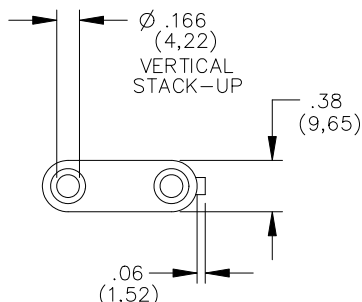


**Model MDP-S**  
**Double Banana Plug with Shorting Bar, Stackable**



**Model MDP-S**  
**Double Banana Plug with**  
**Shorting Bar, Stackable**



**Features**

- Banana plugs are internally shorted with #18 AWG wire.
- Banana plugs can be vertically and horizontally stacked for test versatility.
- Banana plug springs are Nickel Plated, Beryllium Copper for long insertion cycle life.

**Materials**

- Banana Jacks:* Brass, Nickel Plated  
*Banana Plugs:*  
 Body: Brass, Nickel Plated  
 Spring: Beryllium Copper, Nickel Plated  
*Insulation:* Polypropylene  
 Marking: "MDP-S, POMONA ELECTRONICS  
 CO, INC. POMONA CALIFORNIA"  
 "SHORTING BAR"

**Specifications**

- Operating Voltage:**  
 Hands free usage in controlled voltage environments: 5000 Vrms maximum.  
*For CE compliance:* not intended for hand-held use at voltages above 33 Vrms/70 Vdc.  
**Operating Temperature:** +50°C (+122°F) Max.  
**Current:** 15 Amperes

**Ordering Information**

- Model:** MDP-S-Color  
**Colors =** 0 (Black), 2 (Red), 9 (White)

*Ordering Example:* MDP-S-2 (Double Banana Plug with Red insulation)

**USA:** Sales: 800-490-2361  
 Technical Support: [technicalsupport@pomonatest.com](mailto:technicalsupport@pomonatest.com)  
 Fax: 425-446-5844  
**Europe:** 31-(0) 40 2675 150 **International:** 425-446-5500  
**Where to Buy:** [www.pomonaelectronics.com](http://www.pomonaelectronics.com)

All dimensions are in inches. Tolerances (except noted): .xx = ±.02" (.51 mm), .xxx = ±.005" (.127 mm). All specifications are to the latest revisions. Specifications are subject to change without notice. Registered trademarks are the property of their respective companies.