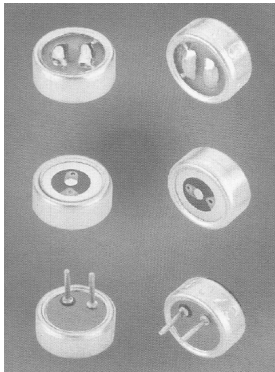


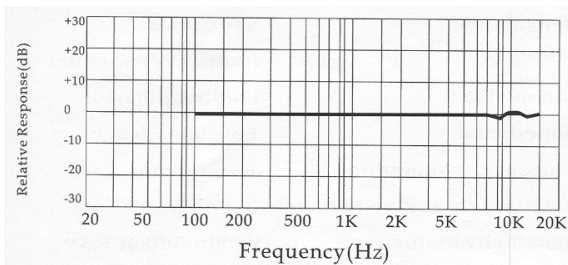
# Soberton Inc.

## EM6027, EM6027S-BC, & EM6027P Omnidirectional Electret Condenser Microphone



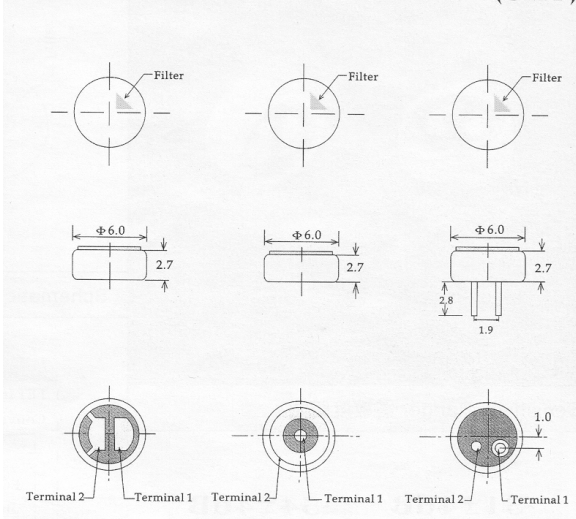
Sensitivity	0dB = 1V/Pa. 1KHz
Directivity	Omnidirectional
Impedance	Low Impedance
Current Consumption	Max. 0.5mA
Standard Operation Voltage	2.0V
Sensitivity Reduction	Within -3dB at 1.5V
S/N Ratio	More than 58dB
<b>Sensitivity Range</b>	<b>-38 ± 3dB, -40 ± 3dB, -42 ± 3dB, -44 ± 3dB, -46 ± 3dB, -48 ± 3dB</b>

### Typical Frequency Response Curve:



Unit: mm

EM6027 EM6027S-BC EM6027P(SMT)



### Schematic Diagram:

