

SPECIFICATION FOR APPROVAL

Customer :			
Description :	MAGNETIC	Date :	2008-03-21
Model No. :	ST-0503		
Customer Model No. :			
Drawing No.:			
Approval No. :			
Date of Approval	/	/	/
Authorization			
Signature			

Soberton Inc.

211 N. First Street
Minneapolis, MN. 55401

612-849-6205

www.soberton.com

1. SCOPE

This specification applies Magnetic transducer ST-0503

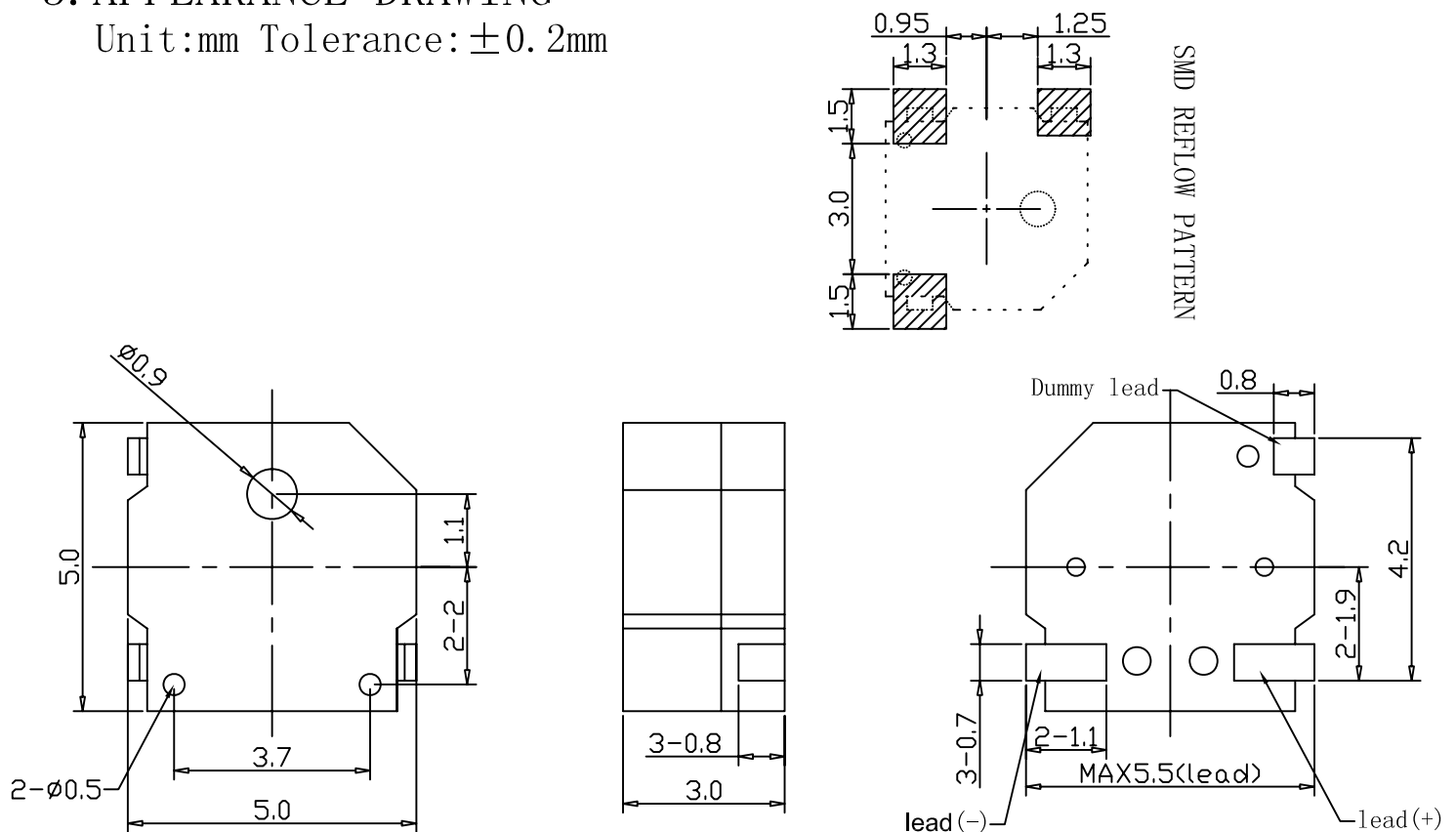
2. SPECIFICATOIN

Test condition TEMP.=25°C

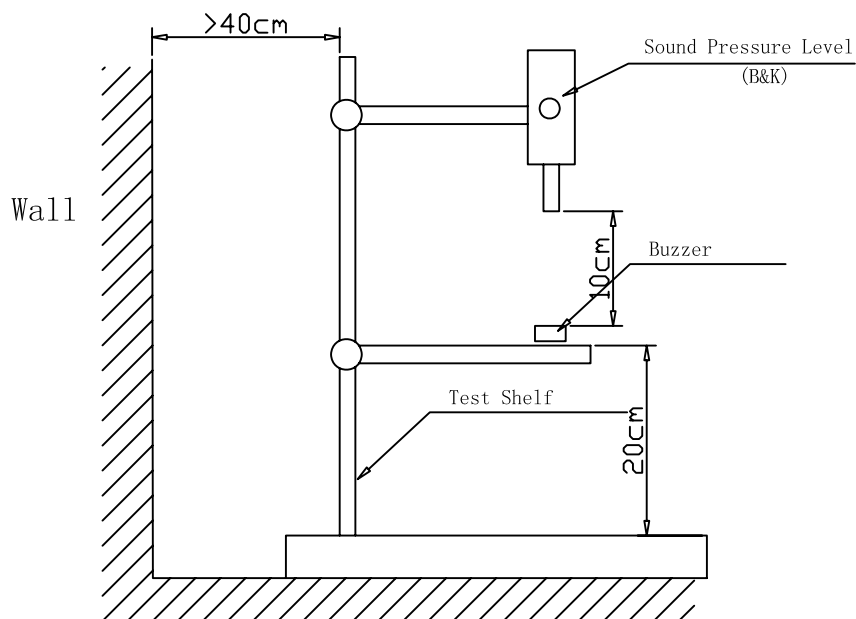
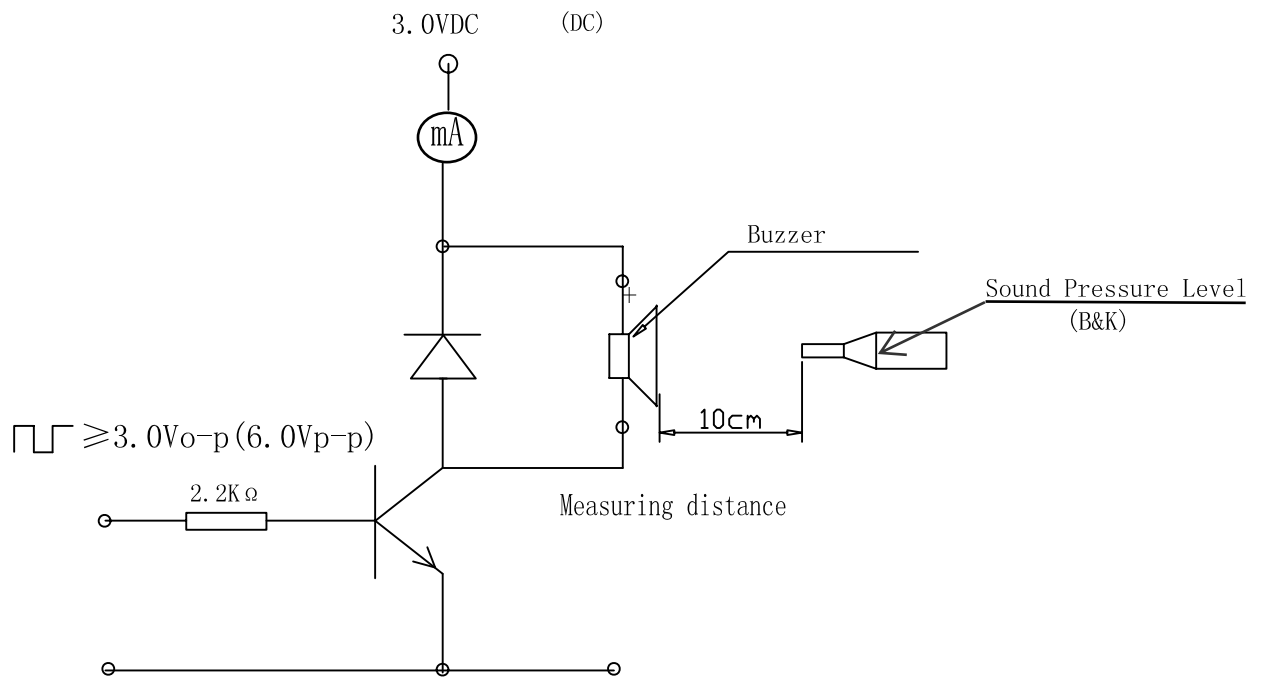
Item	Unit	Specification
Rated Voltage	V _{o-p}	3.0
Operating Voltage	V _{o-p}	2~5
*Rated Current (MAX.)	mA	100
*Sound Output at 10cm (Min.)	dB	75 (typ80)
*Rated Frequency	Hz	4000
Coil Resistance	Ω	12±2
Lead Pin Material		SMD
Operating Temperature	°C	-40~+85
Storage Temperature	°C	-40~+85
Housing Material		LCP
Weight	g	0.3
*Value Applying at Rated Voltage.		

3. APPEARANCE DRAWING

Unit:mm Tolerance:±0.2mm



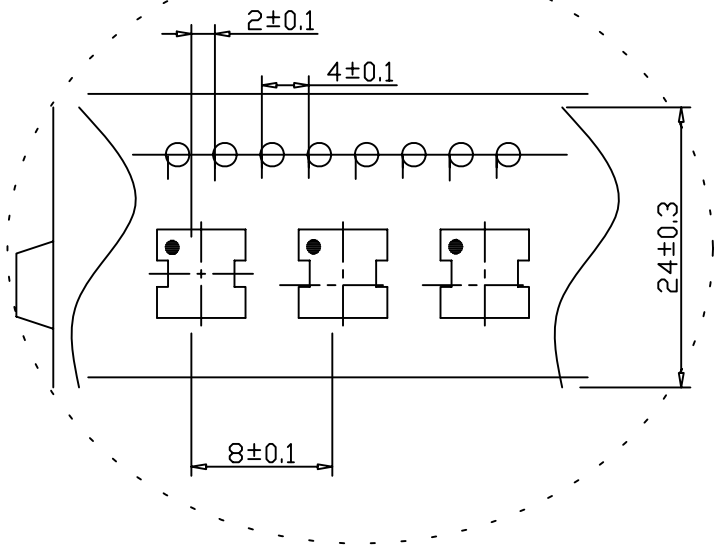
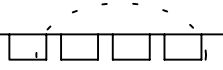
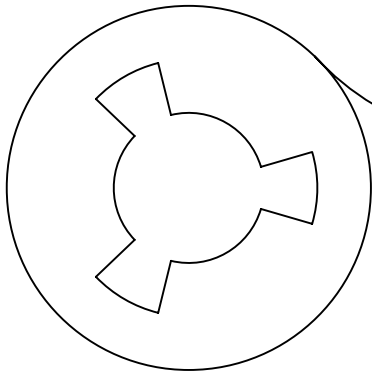
4. Measuring Method



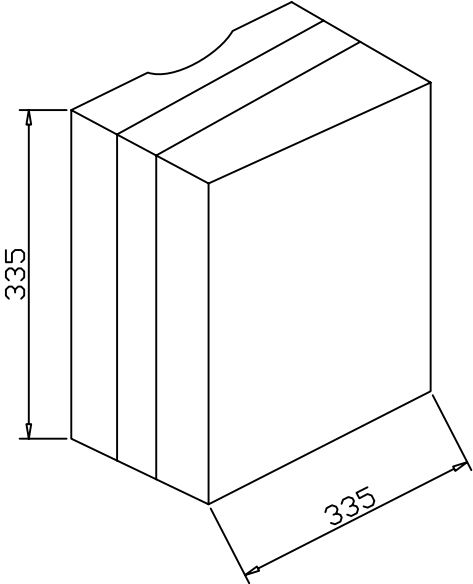
5. RELIABILITY TEST

ITEM	TEST CONDITION	STANDARD	
Storage in high temp.	Storage in $+85\pm 2^{\circ}\text{C}$ test box for 240 hours, then expose to the room temperature for 2 hours without applying power.		
Storage in low temp.	Storage in $-40\pm 2^{\circ}\text{C}$ test box for 240hours, then expose to the room temperature for 2 hours without applying power.		
Storage in humidity	Storage in $+40\pm 2^{\circ}\text{C}90\text{--}95\%RH$ test box for 48 hours, then expose to the room temperature for 2 hours without applying power.		
Temperature cycle test	<p>Make this test for 5 cycle without applying power, then expose to the room temperature for 2 hours</p>	After test The value of frequency/ current/SPL should be meet specifications	
Vibration test	<p>Amplitude:1.5mm Time :1min/axis</p> <p>Make this test for the directions of X,Y,Z for 2 hours each (total 6 hours).</p>		
Drop test	Drop from the height of 100cm to the surface of 100mm thick woodenboard. three directions(X, Y, Z).		+/-5db
Solderability test	Soldering temp. : $260\pm 5^{\circ}\text{C}$. Heat applying time: $3\pm 0.5\text{sec}$.		90%min. lead terminals shall be wet with solder
Lead Pin Strength Pulling	The force 10 seconds of 9.8N is applied to each lead pin in axial direction	No damage and cutting off	

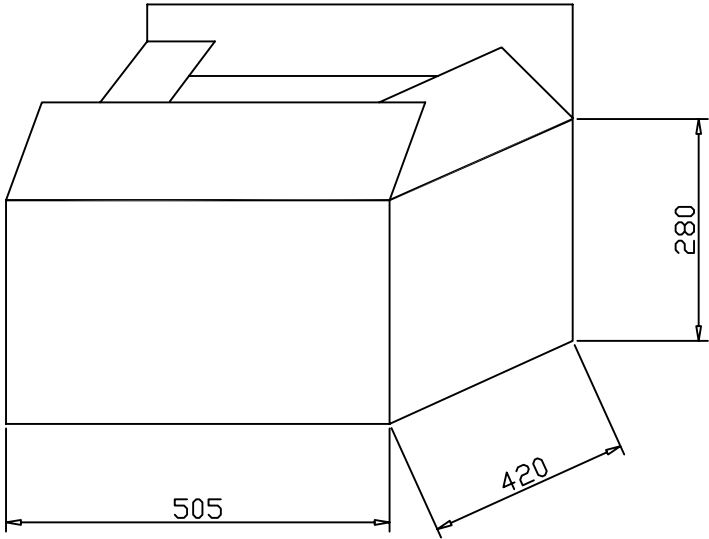
6. PACKING



2000PCS/CARRUER REEK;



5ROLL CARRIER REEL/INNER BOX



20000PCS/CTN

7. REFOLW SOLDER CONDITIONS

