

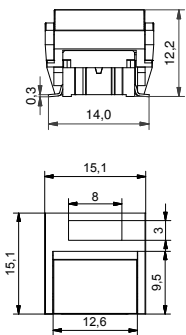
- Rectangular caps; square solution
- Rocker-action pushbutton cap
- 15.1 mm x 15.1 mm
- h = 12.2 mm
- Material: ABS/polycarbonate
- Temp. Range:
 - Solid cap and bezel: -40/+65°C
 - Transparent cap: -40/+85°C
- Panel cut-out: 1B/1C+2C/2D-15.5 x 15.5



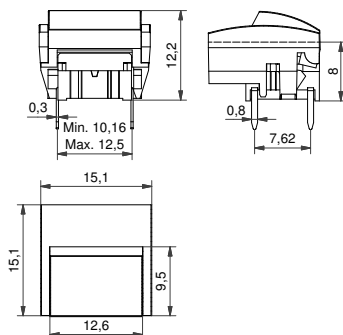
All dimensions in mm

DIMENSIONS

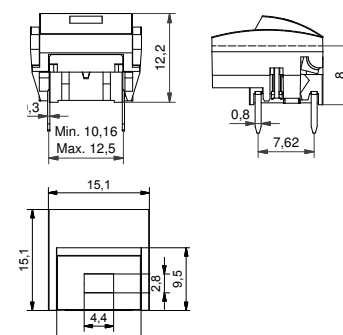
SMD 1B+2D



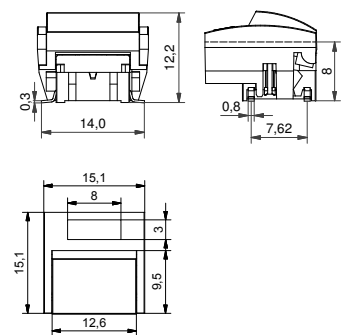
TH 1B+2C



TH w/LED 1C+2C



SMD w/LED 1B+2D



ILLUMINATED - HOW TO ORDER

Switch	Mounting	Actuation force	LED	Cap	Bezel
5 G	<input type="checkbox"/> <input type="checkbox"/> <input type="checkbox"/>	<input type="checkbox"/> <input type="checkbox"/>	<input type="checkbox"/> <input type="checkbox"/> <input type="checkbox"/> <input type="checkbox"/>	1 C <input type="checkbox"/> <input type="checkbox"/> <input type="checkbox"/> <input type="checkbox"/>	2 C <input type="checkbox"/> <input type="checkbox"/>
	TH9 through-hole	20	01 blue	Solid colour	Colour code
	SH9 surface mount	35	22 green		
		65	42 yellow	1 B <input type="checkbox"/> <input type="checkbox"/>	2 D <input type="checkbox"/> <input type="checkbox"/> <input type="checkbox"/>
		Q*	61 white	Transparent	Colour code <input type="checkbox"/> Lens
			82 red		
			2242 green/yellow		
			8222 red/green		
			8242 red/yellow		

*For an illuminated quiet 2.0N switch add Q to the end of the switch part number.

NON-ILLUMINATED - HOW TO ORDER

Switch	Mounting	Actuation force	Cap	Bezel
5 G	<input type="checkbox"/> <input type="checkbox"/> <input type="checkbox"/>	<input type="checkbox"/> <input type="checkbox"/> <input type="checkbox"/> <input type="checkbox"/> <input type="checkbox"/>	1 B <input type="checkbox"/> <input type="checkbox"/>	2 C <input type="checkbox"/> <input type="checkbox"/> <input type="checkbox"/> <input type="checkbox"/>
	TH9 through-hole	20	Solid colour	Colour code
	SH9 surface mount	20Q		
		35		2 D <input type="checkbox"/> <input type="checkbox"/> <input type="checkbox"/>
		65		Colour code <input type="checkbox"/> Lens

COLOUR CODES

Transparent caps	Solid caps	For 1B and 2C only	Lenses
10 frosted blue	00 blue	30 ultra blue	1 transparent
12 frosted green	02 green	40 dusty blue	2 green
14 frosted yellow	03 grey	42 aqua blue	4 yellow
	04 yellow	32 mint green	6 frosted white
	06 white	33 tele grey	8 red
	08 red	34 melon	
	09 black	38 noble red	
		50 metal dark blue	
		53 metal light grey	
		57 metal dark grey	
		58 metal bordeaux	

Ordering example:

5GTH93561+1C001+2C09 with illumination OR 5GSH965+1B08+2D081 without illumination OR *5GSH92001Q (illuminated quiet version)

Please see colour codes, updates of products and changes of specifications on www.mec.dk